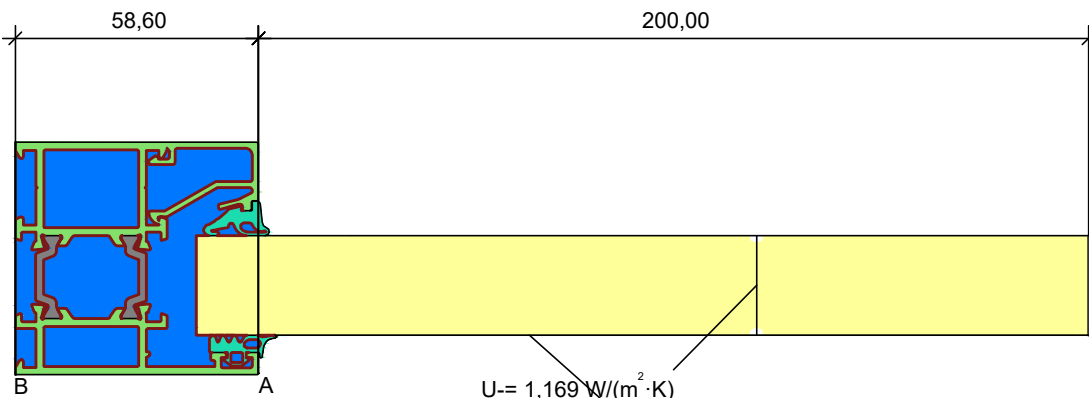


**BASIC 56**  
**KAPI ve PENCERE SİSTEMİ**  
**DOOR and WINDOW SYSTEM**

<b>A</b>	<b>ISI HESAPLARI ve PERFORMANS</b> THERMAL CALCULATIONS and PERFORMANCE .....	A-01 / A-05
<b>B</b>	<b>ALUMİNYUM PROFİLLER</b> ALUMINIUM PROFILES .....	B-01 / B-11
<b>C</b>	<b>CAM MONTAJ TALİMATI</b> GLAZING ASSEMBLY .....	C-01 / C-09
<b>D</b>	<b>CONTALAR</b> GASKETS .....	D-01 / D-03
<b>E</b>	<b>AKSESUARLAR</b> ACCESSORIES .....	E-01 / E-05
<b>F</b>	<b>TAM ÖLÇEKLİ PROFİLLER</b> FULL SCALE PROFILES .....	F-01 / F-45
<b>G</b>	<b>PRENSİP SİSTEM DETAYLARI</b> PRINCIPAL SECTIONS .....	G-01 / G-53
<b>H</b>	<b>ÜRETİM TALİMATLARI</b> MANUFACTURING INSTRUCTIONS .....	H-01 / H-61

**BASIC 56**  
**KAPI ve PENCERE SİSTEMİ**  
**DOOR and WINDOW SYSTEM**

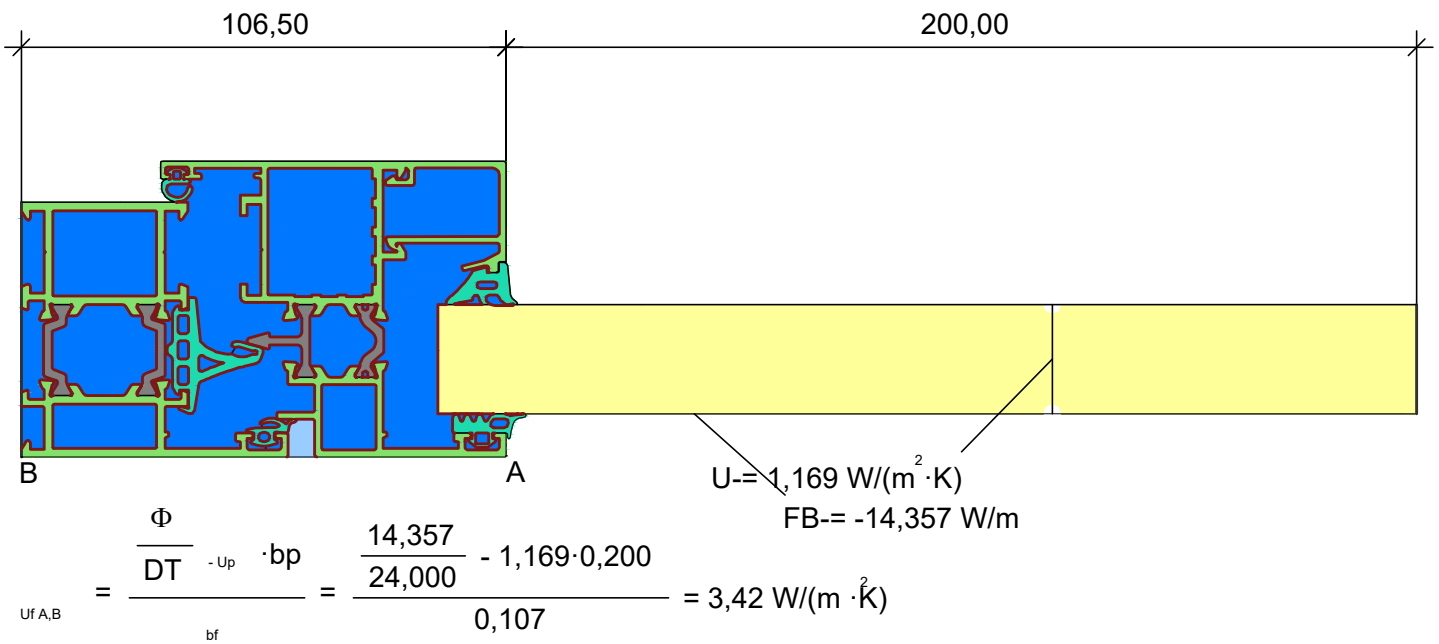
**ISI HESAPLARI ve PERFORMANS**  
**THERMAL CALCULATIONS**  
**and PERFORMANCE**



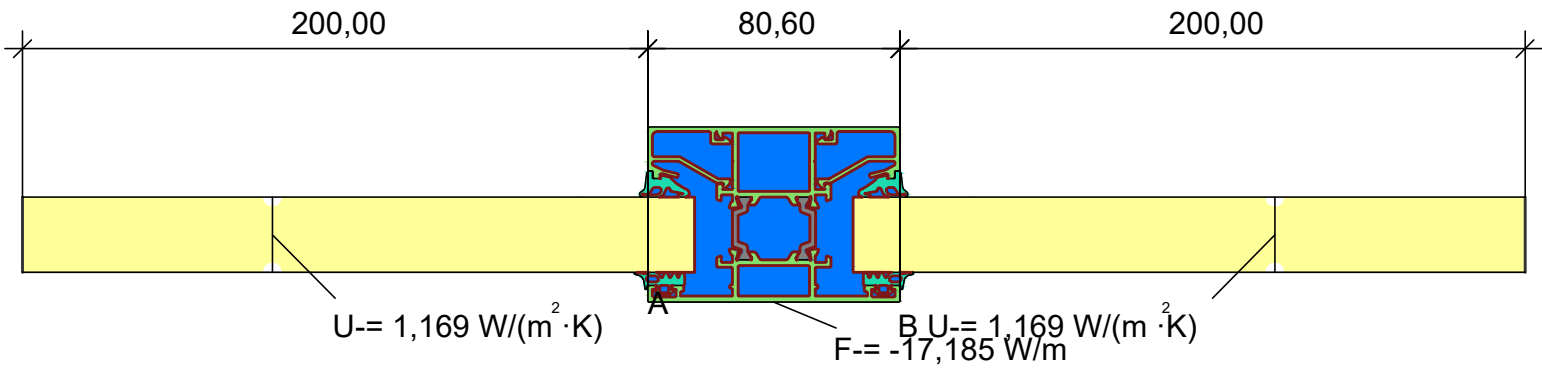
U = 1,169 W/(m<sup>2</sup> · K)  
FB = -10,049 W/m

$$U_{fA,B} = \frac{\frac{\Phi}{DT} \cdot b_p}{b_f} = \frac{\frac{10,049}{24,000} \cdot 1,169 \cdot 0,200}{0,059} = 3,16 \text{ W/(m}^2 \cdot \text{K)}$$

Material	l[W/(m·K)]	ε	Boundary Condition	q[W/m <sup>2</sup> ]	q[C°]	R[(m·K) <sup>2</sup> /W]	ε
Aluminium (Si alloys)	160,000	0,900	Epsilon 0.9				0,900
EPDM (ethylene propylene diene monomer)	0,250	0,900	Exterior, frame	-2,000		0,040	
Panel	0,035	0,900	Interior, frame, normal	22,000		0,130	
Polyamid 6.6 with 25% glass fibre	0,300	0,900	Interior, frame, reduced	22,000		0,200	
Unventilated air cavity			Symmetry/Model section	0,000			

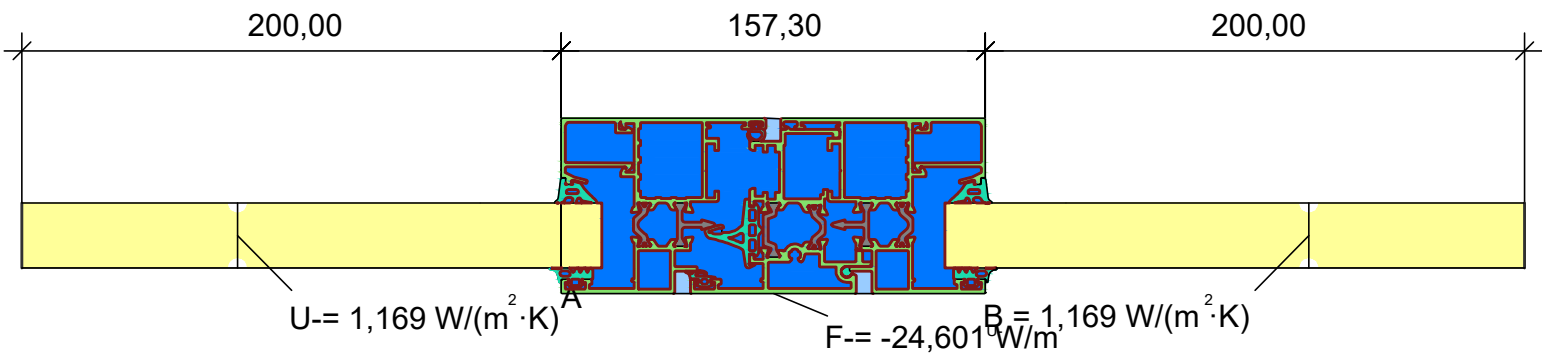


Material	$\lambda$ [W/(m·K)]	$\epsilon$	Boundary Condition $q$ [W/m <sup>2</sup> ] $C$ [°C]	$R$ [(m·K) <sup>2</sup> /W]	$\epsilon$
Aluminium (Si alloys)	160,000	0,900	Epsilon 0.9		0,900
EPDM (ethylene propylene diene monomer)	0,250	0,900	Exterior, frame	-2,000	0,040
Panel	0,035	0,900	Interior, frame, normal	22,000	0,130
Polyamid 6.6 with 25% glass fibre	0,300	0,900	Interior, frame, reduced	22,000	0,200
Slightly ventilated air cavity			Symmetry/Model section	0,000	
Unventilated air cavity					



$$U_{f A,B} = \frac{\Phi}{DT} = \frac{17,185}{24,000} - \frac{1,169 \cdot 0,200 - 1,169 \cdot 0,200}{0,081} = 3,08 \text{ W/(m} \cdot \text{K)}$$

Material	l[W/(m·K)]	ε	Boundary Condition	q[W/m <sup>2</sup> ]	C°	R[(m·K) <sup>2</sup> /W]	ε
Aluminium (Si alloys)	160,000	0,900	Epsilon 0.9				0,900
EPDM (ethylene propylene diene monomer)	0,250	0,900	Exterior, frame	-2,000		0,040	
Panel	0,035	0,900	Interior, frame, normal	22,000		0,130	
Polyamid 6.6 with 25% glass fibre	0,300	0,900	Interior, frame, reduced	22,000		0,200	
Unventilated air cavity			Symmetry/Model section	0,000			



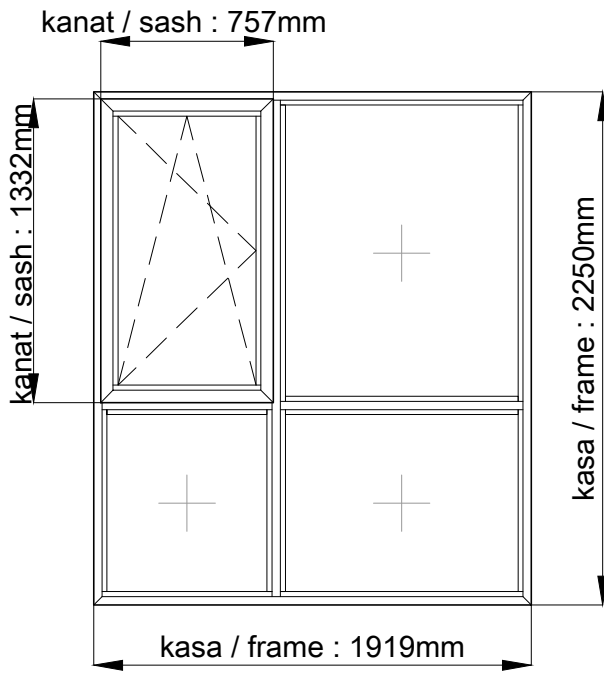
$$U_{f,A,B} = \frac{\Phi}{DT} = \frac{24,601}{24,000} - \frac{1,169 \cdot 0,200 - 1,169 \cdot 0,200}{0,157} = 3,54 \text{ W/(m} \cdot \text{K)}$$

Material	l[W/(m·K)]	ε	Boundary Condition	q[W/m²]	C°	R[(m·K)²/W]	ε
Aluminium (Si alloys)	160,000	0,900	Epsilon 0.9				0,900
EPDM (ethylene propylene diene monomer)	0,250	0,900	Exterior, frame	-2,000		0,040	
Panel	0,035	0,900	Interior, frame, normal	22,000		0,130	
Polyamid 6.6 with 25% glass fibre	0,300	0,900	Interior, frame, reduced	22,000		0,200	
Slightly ventilated air cavity			Symmetry/Model section	0,000			
Unventilated air cavity							

# BASIC 56

## KAPI ve PENCERE SİSTEMİ

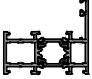
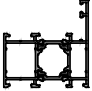
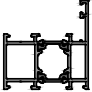
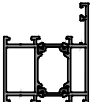
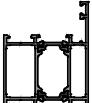
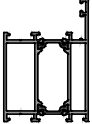
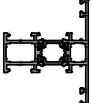
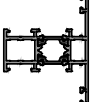
### DOOR and WINDOW SYSTEM

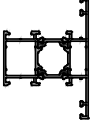
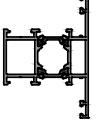
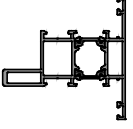
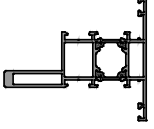
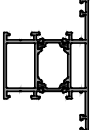
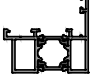
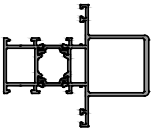
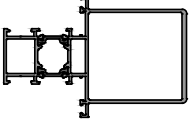
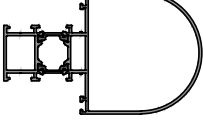
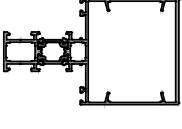
PERFORMANS TESTİ - performance test	
 <p>kanat / sash : 757mm</p> <p>kanat / sash : 1332mm</p> <p>kasa / frame : 2250mm</p> <p>kasa / frame : 1919mm</p>	
TS EN 12207 - HAVA GEÇİRGENLİĞİ TS EN 12207 - air permability	A 4 ( $\pm 600\text{pa}$ )
TS EN 12208 - SU SIZDIRMAZLIĞI TS EN 12208 - water tightness	E 1200 ( $\pm 1200\text{pa}$ ) E 1200 ( $\pm 1200\text{pa}$ )
TS EN 12210 - RÜZGAR YÜKÜ DAYANIMI TS EN 12210 - resistance to design wind load	( $\pm 1200\text{pa}$ )
TS EN 12210 - ARTTIRILMIŞ RÜZGAR YÜKÜ DAYANIMI TS EN 12210 - resistance to safety wind load	( $\pm 1800\text{pa}$ )
LABORATUAR ve TEST RAPORU NUMARASI Laboratory and test report number	FTI facade testing institute 020.869.1 / 2017

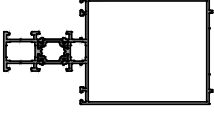
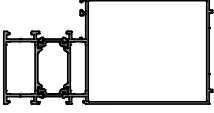
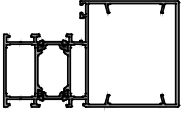

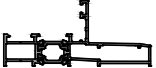
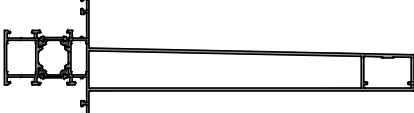
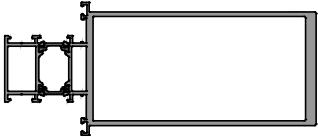
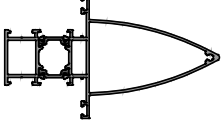
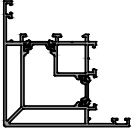
**BASIC 56**  
**KAPI ve PENCERE SİSTEMİ**  
**DOOR and WINDOW SYSTEM**

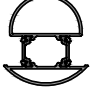

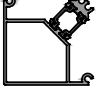
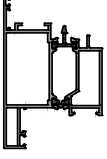
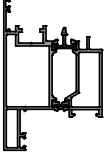
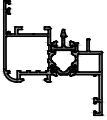
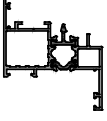
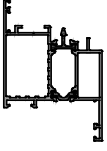
**ALUMİNYUM PROFİLLER**  
**ALUMINIUM PROFILES**

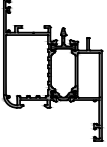
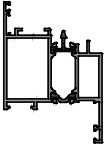
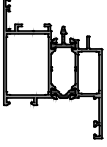
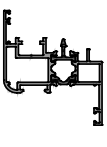
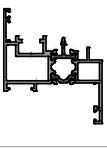
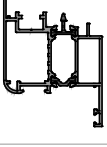
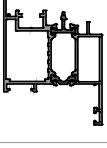
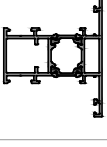
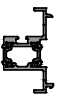
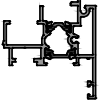


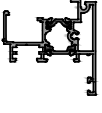
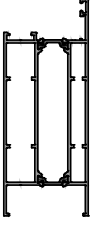
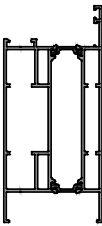
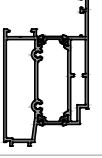


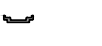

PROFİL ŞEKLİ PROFILE SECTION	PROFİL ADI PROFILE NO	KALIP KODU DIE NO	PROFİL TANIMI PROFILE DESCRIPTION	AĞIRLIK WEIGHT
	P 1504	15289 + 15289	Z KASA PROFİLİ Z frame profile	1,740kg/mt
	P 1708	20-5416 + 20-5478	26mm L KASA PROFİLİ 26mm L frame profile	1,251kg/mt
	P 1245	13995 + 13997	28mm L KASA PROFİLİ 28mm L frame profile	1,380kg/mt
	P 1916	17344 + 17345	35,6mm L KASA PROFİLİ 35,6mm L frame profile	1,279kg/mt
	P 1168	13102 + 13103	36,6mm L KASA PROFİLİ 36,6mm L frame profile	1,540kg/mt
	P 1505	14209 + 15290	44mm L KASA PROFİLİ 44mm L frame profile	1,735kg/mt
	P 1650	20-5414 + 20-5415	48mm L KASA PROFİLİ 48mm L frame profile	1,630kg/mt
	P 1628	15438 + 15439	59mm L KASA PROFİLİ 59mm L frame profile	2,020kg/mt
	P 1649	20-5416 + 20-5417	26mm ORTA KAYIT PROFİLİ 26mm mullion profile	1,385kg/mt
	P 1244	13995 + 13996	28mm ORTA KAYIT PROFİLİ 28mm mullion profile	1,530kg/mt






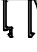



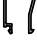
PROFİL ŞEKLİ PROFILE SECTION	PROFİL ADI PROFILE NO	KALIP KODU DIE NO	PROFİL TANIMI PROFILE DESCRIPTION	AĞIRLIK WEIGHT
	P 1915	17344 + 17346	35,6mm ORTA KAYIT PROFİLİ 35,6mm mullion profile	1,400kg/mt
	P 1167	13102 + 13104	36,6mm ORTA KAYIT PROFİLİ 36,6mm mullion profile	1,690kg/mt
	P 1627	16422 + 13104	36,6mm ORTA KAYIT PROFİLİ 36,6mm mullion profile	2,00kg/mt
	P 1705	17018 + 13104	36,6mm ORTA KAYIT PROFİLİ 36,6mm mullion profile	2,192kg/mt
	P 1337	14209 + 14210	44mm ORTA KAYIT PROFİLİ 44mm mullion profile	1,880kg/mt
	P 1506	15291 + 15292	DIŞA AÇILIM ADAPTÖR PROFİLİ adapter profile for outside opening	1,325kg/mt
	P 1165	13102 + 13105	36mm TAKVİYELİ ORTA KAYIT PROFİLİ 36mm mullion profile with reinforcement	2,405kg/mt
	P 1166	13102 + 13106	36mm TAKVİYELİ ORTA KAYIT PROFİLİ 36mm mullion profile with reinforcement	2,855kg/mt
	P 1246	13102 + 13914	36mm TAKVİYELİ ORTA KAYIT PROFİLİ 36mm mullion profile with reinforcement	2,685kg/mt
	P 1653	20-5416 + 20-5418	26mm TAKVİYELİ ORTA KAYIT PROFİLİ 26mm mullion profile with reinforcement	2,395kg/mt








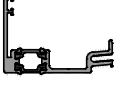
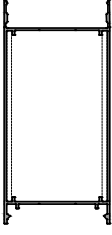
PROFİL ŞEKLİ PROFILE SECTION	PROFİL ADI PROFILE NO	KALIP KODU DIE NO	PROFİL TANIMI PROFILE DESCRIPTION	AĞIRLIK WEIGHT
	P 1654	20-5416 + 20-5420	26mm TAKVİYELİ ORTA KAYIT PROFİLİ 26mm mullion profile with reinforcement	2,375kg/mt
	P 1652	20-5414 + 20-5421	48mm TAKVİYELİ ORTA KAYIT PROFİLİ 48mm frame profile reinforcement	2,630kg/mt
	P 1651	20-5414 + 20-5419	48mm TAKVİYELİ ORTA KAYIT PROFİLİ 48mm frame profile reinforcement	2,640kg/mt
	P 1270	14063 + 14065	21mm TAKVİYELİ ORTA KAYIT PROFİLİ 21mm frame profile reinforcement	1,410kg/mt
	P 1268	14063 + 14066	KASA PROFİLİ frame profile	1,310kg/mt
	P 1691	17019 + 17021	36mm TAKVİYELİ PROFİL 36mm reinforcement profile	4,007kg/mt
	P 1954	14209 + 15408	44mm TAKVİYELİ ORTA KAYIT PROFİLİ 44mm mullion profile with reinforcement	6,080kg/mt
	P 2134	13102 + 17758	36,6mm TAKVİYELİ ORTA KAYIT PROFİLİ 36,6mm mullion profile with reinforcement	2,515kg/mt
	P 1508	15314 + 15298	90° KÖŞE KASA PROFİLİ 90° corner frame profile	2,475kg/mt

PROFİL ŞEKLİ PROFILE SECTION	PROFİL ADI PROFILE NO	KALIP KODU DIE NO	PROFİL TANIMI PROFILE DESCRIPTION	AĞIRLIK WEIGHT
	P 1507	15312 + 15313	AÇILI BİRLEŞİM GEÇİŞ PROFİLİ adepter profile for segmented windows	1,330kg/mt
	P 1510	15340 + 15302	135° KÖŞE ADAPTÖR PROFİLİ internal-external 135° corner adepter profile	1,045kg/mt
	P 1509	15315 + 15300	90° KÖŞE ADAPTÖR PROFİLİ internal-external 90° corner adepter profile	1,495kg/mt
	P 1511	15303 + 13739	DIŞA AÇILIR KAPI KANAT PROFİLİ outward opening door sash profile with euro channel	2,230kg/mt
	P 2133	15303 + 17757	DIŞA AÇILIR KAPI KANAT PROFİLİ outward opening door sash profile with pvc channel	2,260kg/mt
	P 1173	13693 + 13694	54mm KANAT PROFİLİ 54mm sash profile with euro channel	1,535kg/mt
	P 1513	15305 + 13694	54mm KANAT PROFİLİ 54mm sash profile with euro channel	1,540kg/mt
	P 1512	15304 + 13696	72mm KANAT PROFİLİ 72mm sash profile with euro channel	1,860kg/mt


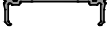

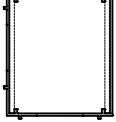



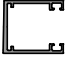
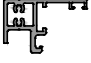
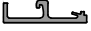
PROFİL ŞEKLİ PROFILE SECTION	PROFİL ADI PROFILE NO	KALIP KODU DIE NO	PROFİL TANIMI PROFILE DESCRIPTION	AĞIRLIK WEIGHT
	P 1174	13695 + 13696	72mm KANAT PROFİLİ 72mm sash profile with euro channel	1,860kg/mt
	P 2091	17541 + 17540	71.2mm KANAT PROFİLİ 71.2mm sash profile with euro channel	2,070kg/mt
	P 2092	5853 + 5856	71.2mm KANAT PROFİLİ 71.2mm sash profile with euro channel	1,960kg/mt
	P 2090	17504 + 13694	54,5mm KANAT PROFİLİ 54,5mm sash profile with pvc channel	1,655kg/mt
	P 2089	17505 + 13694	54,5mm KANAT PROFİLİ 54,5mm sash profile with pvc channel	1,640kg/mt
	P 2088	17507 + 13696	71,5mm KANAT PROFİLİ 71,5mm sash profile with pvc channel	1,960kg/mt
	P 2087	17506 + 13696	71,5mm KANAT PROFİLİ 71,5mm sash profile with pvc channel	1,950kg/mt
	P 1169	13101 + 13104	KANAT İÇİ ORTA KAYIT PROFİLİ mullion profile for sash	1,820kg/mt
	P 1515	15349 + 13955	CEPHE BİRLEŞİMİ ADAPTÖR PROFİLİ adepter profile for facade connecting	0,935kg/mt
	P 1172	13125 + 13126	ÇİFT KANAT ADAPTÖR PROFİLİ adepter profile for double sash	1,655kg/mt

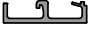





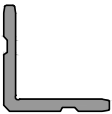



PROFİL ŞEKLİ PROFILE SECTION	PROFİL ADI PROFILE NO	KALIP KODU DIE NO	PROFİL TANIMI PROFILE DESCRIPTION	AĞIRLIK WEIGHT
	P 1175	13697 + 13126	ÇİFT KANAT ADAPTÖR PROFİLİ adepter profile for double sash	1,565kg/mt
	P 1247	13933 + 13934	ETEK PROFİLİ sill profile	3,105kg/mt
	P 1248	14005 + 13934	ETEK PROFİLİ sill profile	3,540kg/mt
	P 1514	14211 + 14220	ETEK YÜKSELTME PROFİLİ additional sill profile	2,265kg/mt
	P 1249	14008 + 14009	EŞİK PROFİLİ threshold profile	0,755kg/mt
	P 1232	14010	DAMLALIK PROFİLİ dropper profile for sash	0,265kg/mt
	P 1020	12769	TİJ PROFİLİ (eloxal) rod profile (anodised)	0,105kg/mt
	P 1219	13953	ETEK ALT FIRÇA PROFİLİ brush profile for sill	0,405kg/mt

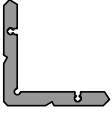

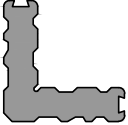
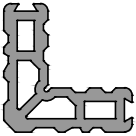
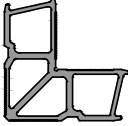

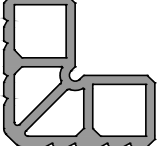
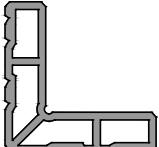
PROFİL ŞEKLİ PROFILE SECTION	PROFİL ADI PROFILE NO	KALIP KODU DIE NO	PROFİL TANIMI PROFILE DESCRIPTION	AĞIRLIK WEIGHT
	P 1496	15308	2mm CAM ÇITASI 2mm glazing bead profile	0,245kg/mt
	P 1495	15307	6mm CAM ÇITASI 6mm glazing bead profile	0,270kg/mt
	P 1494	15306	10mm CAM ÇITASI 10mm glazing bead profile	0,325kg/mt
	P 1176	13698	14mm CAM ÇITASI 14mm glazing bead profile	0,335kg/mt
	P 1179	13671	18mm CAM ÇITASI 18mm glazing bead profile	0,350kg/mt
	P 2167	17976	22mm CAM ÇITASI 22mm glazing bead profile	0,355kg/mt
	P 1180	13670	27mm CAM ÇITASI 27mm glazing bead profile	0,380kg/mt
	P 1158	13111	31mm CAM ÇITASI 31mm glazing bead profile	0,365kg/mt
	P 1498	15310	36mm CAM ÇITASI 36mm glazing bead profile	0,415kg/mt
	P 1497	15309	40mm CAM ÇITASI 40mm glazing bead profile	0,435kg/mt

PROFİL ŞEKLİ PROFILE SECTION	PROFİL ADI PROFILE NO	KALIP KODU DIE NO	PROFİL TANIMI PROFILE DESCRIPTION	AĞIRLIK WEIGHT
	P 1499	15311	DIŞTAN EK CAM ÇITASI glazing bead profile for outside	0,235kg/mt
	P 1760	16214	40mm PERVAZ PROFİLİ 40mm architrave profile	0,290kg/mt
	P 1761	16210	40mm UZUN PERVAZ PROFİLİ 40mm long architrave profile	0,890kg/mt
	P 1177	12917	40mm PERVAZ PROFİLİ 40mm architrave profile	0,300kg/mt
	P 1178	13250	50mm PERVAZ PROFİLİ 50mm architrave profile	0,375kg/mt
	P 1222	12795	68mm PERVAZ PROFİLİ 68mm architrave profile	0,760kg/mt
	P 2112	17164	50mm PERVAZ PROFİLİ 50mm architrave profile	0,775kg/mt
	P 1250	13965 + 13966	KÖRKASA PROFİLİ subrafe profile	1,420kg/mt
	P 1880	20-5430	TAKVİYE PROFİLİ reinforcement profile	1,995kg/mt



PROFİL ŞEKLİ PROFILE SECTION	PROFİL ADI PROFILE NO	KALIP KODU DIE NO	PROFİL TANIMI PROFILE DESCRIPTION	AĞIRLIK WEIGHT
	P 1224	13967	KÖRKASA KAPAK PROFİLİ glazing bead profile for subframe profile	0,605kg/mt
	P 1881	20-5431	U BAĞLANTI PROFİLİ u connector profile	0,695kg/mt
	P 1883	20-5432	KAPAK PROFİLİ cover profile	0,405kg/mt
	P 1882	20-5433	KUTU PROFİLİ rectangular profile	1,375kg/mt
	P 1887	20-5435	PERVAZ PROFİLİ architrave profile	0,615kg/mt
	P 1885	12399	PERVAZ PROFİLİ architrave profile	0,575kg/mt
	P 1886	11414	PERVAZ BAĞLANTI PROFİLİ architrave connector profile	0,170kg/mt
	P 1694	17020	KORKULUK PROFİLİ railing profile	0,730kg/mt
	P 1918	15254	KORKULUK PROFİLİ railing profile	1,150kg/mt
	P 1919	15255	KORKULUK CAM ÇITA PROFİLİ railing glazing bead profile	0,730kg/mt

PROFİL ŞEKLİ PROFILE SECTION	PROFİL ADI PROFILE NO	KALIP KODU DIE NO	PROFİL TANIMI PROFILE DESCRIPTION	AĞIRLIK WEIGHT
	P 1920	15686	KORKULUK CAM ÇITA PROFİLİ railing glazing bead profile	0,775kg/mt
	P 1660	8959	KÜPEŞTE PROFİLİ balustrade profile	0,890kg/mt
	P 1661	9949	KÜPEŞTE U PROFİLİ balustrade U profile	0,375kg/mt
	P 1921	10445	KÜPEŞTE U PROFİLİ balustrade U profile	0,230kg/mt
	P 1922	843	KÜPEŞTE U PROFİLİ balustrade U profile	0,275kg/mt
	P 1923	809	KÜPEŞTE U PROFİLİ balustrade U profile	0,160kg/mt
	P 1574	9083	8mm KÖŞE TAKOZ PROFİLİ 8mm corner cleat profile	2,675kg/mt
	P 1163	4292-A	11,5mm KÖŞE TAKOZ PROFİLİ 11,5mm corner cleat profile	3,750kg/mt
	P 1069	11652	13,2mm KÖŞE TAKOZ PROFİLİ 13,2mm corner cleat profile	4,200kg/mt
	P 1016	12254	15,7mm KÖŞE TAKOZ PROFİLİ 15,7mm corner cleat profile	4,910kg/mt

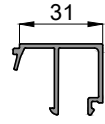
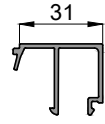
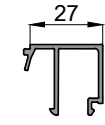
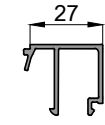
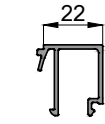
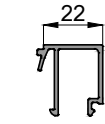
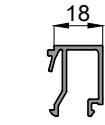
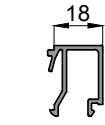


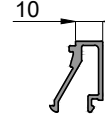
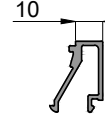
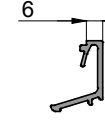
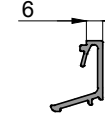
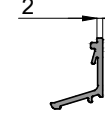
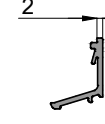
PROFİL ŞEKLİ PROFILE SECTION	PROFİL ADI PROFILE NO	KALIP KODU DIE NO	PROFİL TANIMI PROFILE DESCRIPTION	AĞIRLIK WEIGHT
	P 1888	20-5464	9mm KÖŞE TAKOZ PROFİLİ 9mm corner cleat profile	2,910kg/mt
	P 1015	338	19,7mm KÖŞE TAKOZ PROFİLİ 19,7mm corner cleat profile	5,990kg/mt
	P 1118	5542	22,5mm KÖŞE TAKOZ PROFİLİ 22,5mm corner cleat profile	7,285kg/mt
	P 1162	5543	29,3mm KÖŞE TAKOZ PROFİLİ 29,3mm corner cleat profile	6,705kg/mt
	P 1879	20-5434	33,8mm KÖŞE TAKOZ PROFİLİ 33,8mm corner cleat profile	3,630kg/mt
	P 1161	3272	35,8mm KÖŞE TAKOZ PROFİLİ 35,8mm corner cleat profile	6,230kg/mt
	P 1187	5539	47,3mm KÖŞE TAKOZ PROFİLİ 47,3mm corner cleat profile	8,305kg/mt
	P 1070	339	27mm KÖŞE TAKOZ PROFİLİ 27mm corner cleat profile	6,220kg/mt

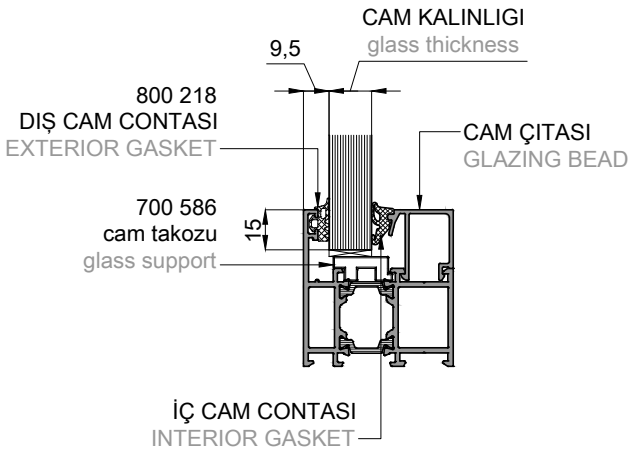
PROFİL ŞEKLİ PROFILE SECTION	PROFİL ADI PROFILE NO	KALIP KODU DIE NO	PROFİL TANIMI PROFILE DESCRIPTION	AĞIRLIK WEIGHT
	P 2093	9854	31,6mm KÖŞE TAKOZ PROFİLİ 31,6mm corner cleat profile	4,005kg/mt
	P 1288	14133	10mm KÖŞE TAKOZ PROFİLİ 10mm corner cleat profile	3,750kg/mt
	P 1116	13248	39,8mm KÖŞE TAKOZ PROFİLİ 39,8mm corner cleat profile	5,710kg/mt

**BASIC 56**  
**KAPI ve PENCERE SİSTEMİ**  
**DOOR and WINDOW SYSTEM**

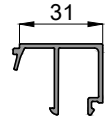
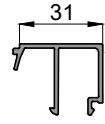
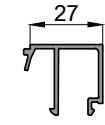
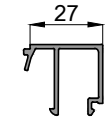
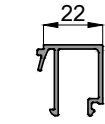
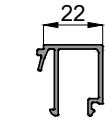
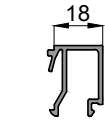
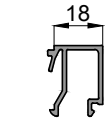


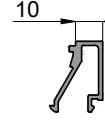
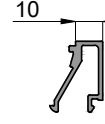
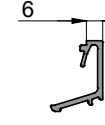
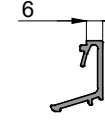
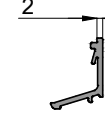
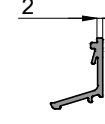
**CAM MONTAJ TALİMATI**  
**GLAZING ASSEMBLY**

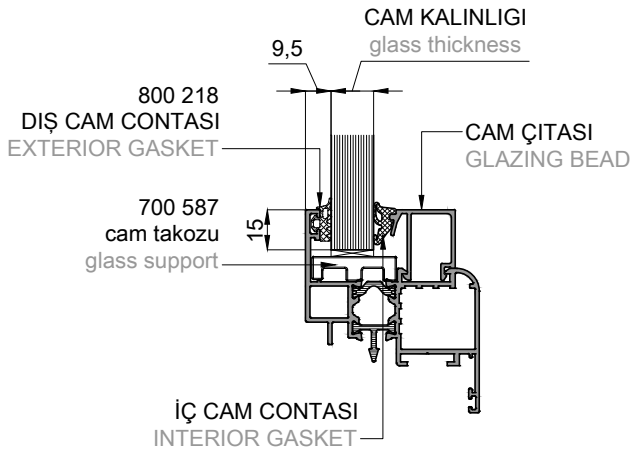


CAM KALINLIĞI glass thickness	ÇITA glazing bead		CAM CONTASI glazing gasket	
	profil section	kod code	perdeli conta with fin gasket	standart conta without fin gasket
4mm	 P 1158 (31mm)	 P 1158 (31mm)	800 296 (10mm)	800 278 (10mm)
6mm			800 252 (8mm)	800 277 (8mm)
8mm			800 233 (6mm)	800 271 (6mm)
10mm	 P 1180 (27mm)	 P 1180 (27mm)	800 252 (8mm)	800 277 (8mm)
12mm			800 233 (6mm)	800 271 (6mm)
14mm	 P 2167 (22mm)	 P 2167 (22mm)	800 252 (8mm)	800 277 (8mm)
16mm			800 233 (6mm)	800 271 (6mm)
18mm	 P 1179 (18mm)	 P 1179 (18mm)	800 252 (8mm)	800 277 (8mm)
20mm			800 233 (6mm)	800 271 (6mm)
22mm	 P 1176 (14mm)	 P 1176 (14mm)	800 252 (8mm)	800 277 (8mm)
24mm			800 233 (6mm)	800 271 (6mm)
26mm	 P 1494 (10mm)	 P 1494 (10mm)	800 252 (8mm)	800 277 (8mm)
28mm			800 233 (6mm)	800 271 (6mm)
30mm	 P 1495 (6mm)	 P 1495 (6mm)	800 252 (8mm)	800 277 (8mm)
32mm			800 233 (6mm)	800 271 (6mm)
34mm	 P 1496 (2mm)	 P 1496 (2mm)	800 252 (8mm)	800 277 (8mm)
36mm			800 233 (6mm)	800 271 (6mm)



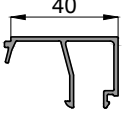



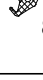


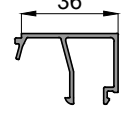




Yanda tablodaki veriler teoriktir.  
Lütfen cam ve conta toleranslarını dikkate alınız.  
selection tables promise a first planning.  
Please keep the glass and gasket tolerances in mind.

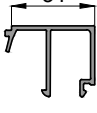




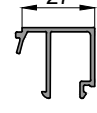


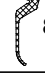

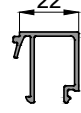



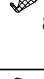






















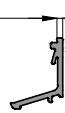

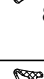
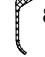

CAM KALINLIĞI glass thickness	ÇITA glazing bead		CAM CONTASI glazing gasket	
	profil section	kod code	perdeli conta with fin gasket	standart conta without fin gasket
4mm	 P 1158 (31mm)	 P 1158 (31mm)	800 296 (10mm)	800 278 (10mm)
6mm			800 252 (8mm)	800 277 (8mm)
8mm			800 233 (6mm)	800 271 (6mm)
10mm	 P 1180 (27mm)	 P 1180 (27mm)	800 252 (8mm)	800 277 (8mm)
12mm			800 233 (6mm)	800 271 (6mm)
14mm	 P 2167 (22mm)	 P 2167 (22mm)	800 252 (8mm)	800 277 (8mm)
16mm			800 233 (6mm)	800 271 (6mm)
18mm	 P 1179 (18mm)	 P 1179 (18mm)	800 252 (8mm)	800 277 (8mm)
20mm			800 233 (6mm)	800 271 (6mm)
22mm	 P 1176 (14mm)	 P 1176 (14mm)	800 252 (8mm)	800 277 (8mm)
24mm			800 233 (6mm)	800 271 (6mm)
26mm	 P 1494 (10mm)	 P 1494 (10mm)	800 252 (8mm)	800 277 (8mm)
28mm			800 233 (6mm)	800 271 (6mm)
30mm	 P 1495 (6mm)	 P 1495 (6mm)	800 252 (8mm)	800 277 (8mm)
32mm			800 233 (6mm)	800 271 (6mm)
34mm	 P 1496 (2mm)	 P 1496 (2mm)	800 252 (8mm)	800 277 (8mm)
36mm			800 233 (6mm)	800 271 (6mm)

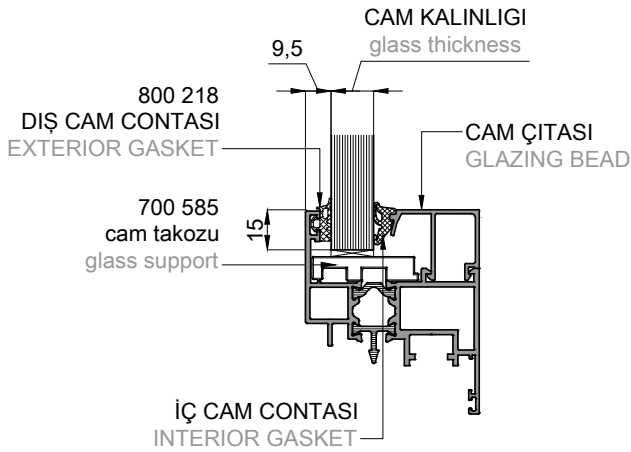


Yanda tablodaki veriler teoriktir.  
Lütfen cam ve conta toleranslarını dikkate alınız.  
selection tables promise a first planning.  
Please keep the glass and gasket tolerances in mind.

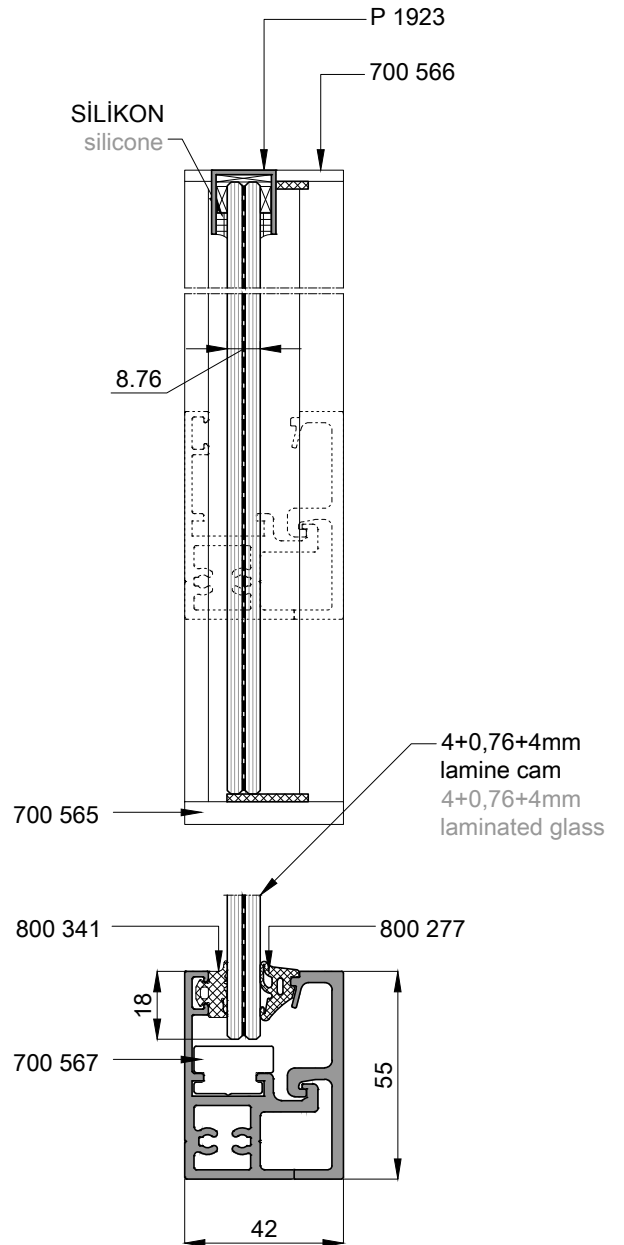
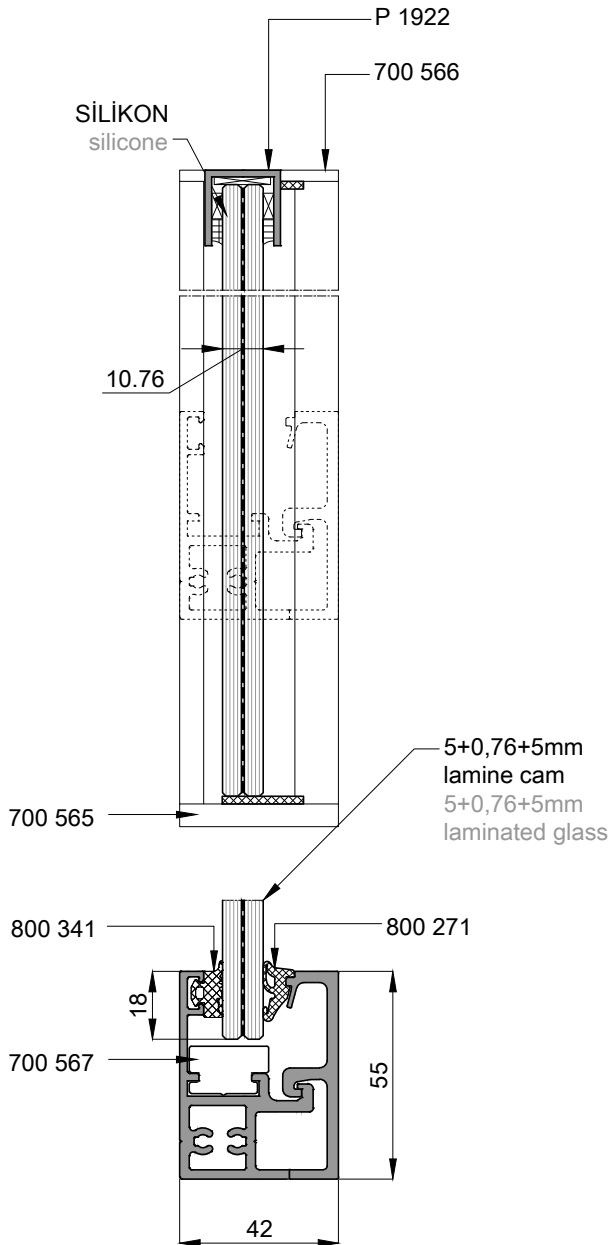


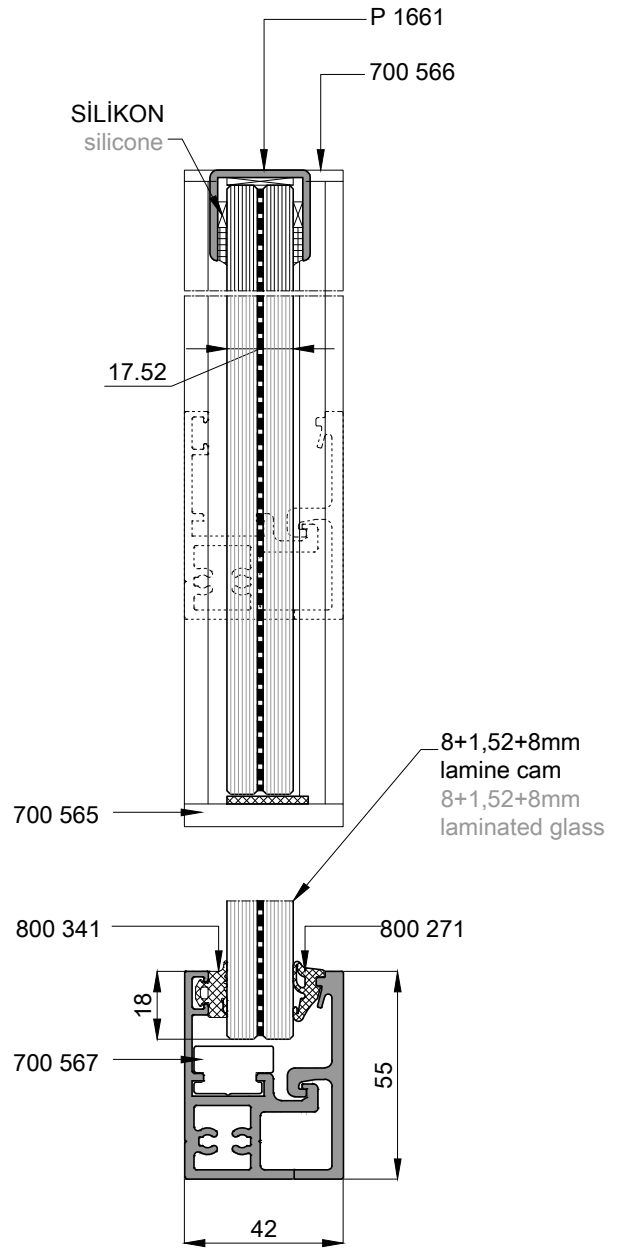
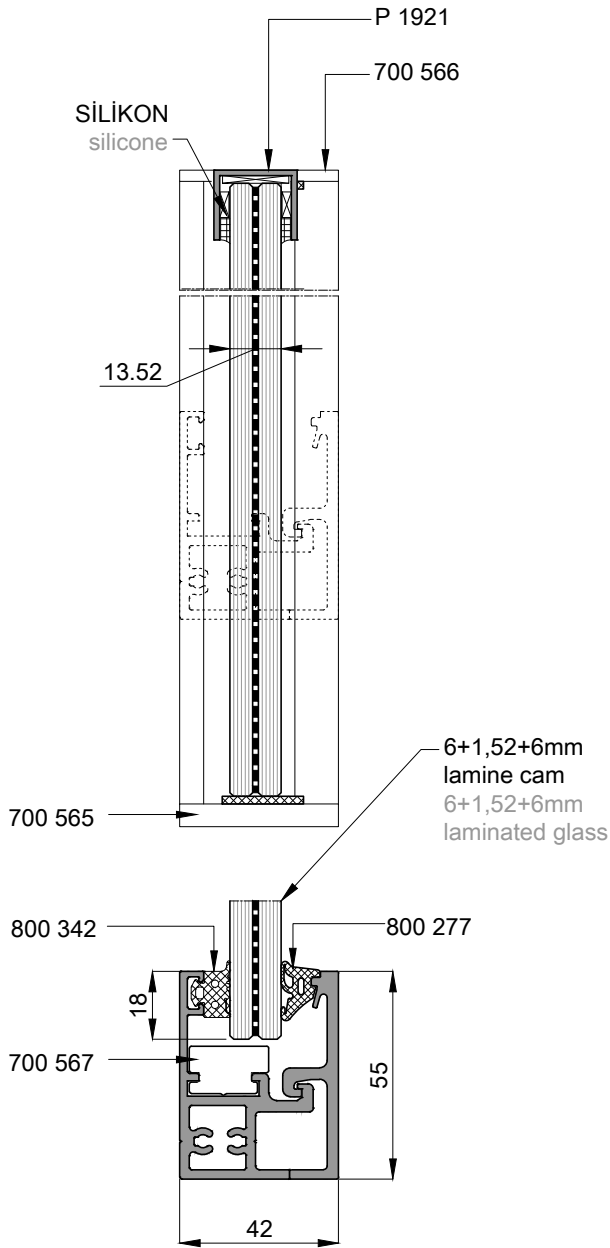
CAM KALINLIĞI glass thickness	ÇİTA glazing bead		CAM CONTASI glazing gasket	
	profil section	kod code	perdeli conta with fin gasket	standart conta without fin gasket
4mm	P 1497 (40mm) 		 800 296 (10mm)	 800 278 (10mm)
6mm			 800 252 (8mm)	 800 277 (8mm)
8mm			 800 233 (6mm)	 800 271 (6mm)
10mm	P 1498 (36mm) 		 800 252 (8mm)	 800 277 (8mm)
12mm			 800 233 (6mm)	 800 271 (6mm)

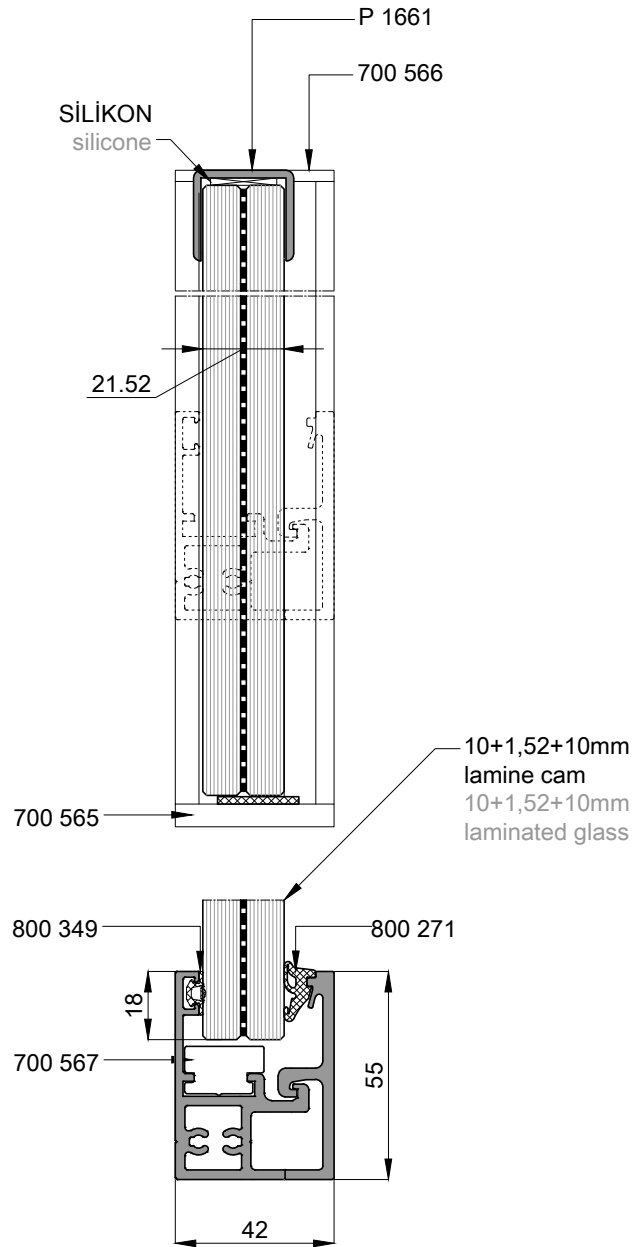
CAM KALINLIĞI glass thickness	ÇİTA glazing bead		CAM CONTASI glazing gasket	
	profil section	kod code	perdeli conta with fin gasket	standart conta without fin gasket
14mm	P 1158 (31mm) 		 800 252 (8mm)	 800 277 (8mm)
16mm			 800 233 (6mm)	 800 271 (6mm)
18mm	P 1180 (27mm) 		 800 252 (8mm)	 800 277 (8mm)
20mm			 800 233 (6mm)	 800 271 (6mm)
22mm	P 2167 (22mm) 		 800 296 (10mm)	 800 278 (10mm)
24mm			 800 252 (8mm)	 800 277 (8mm)
26mm			 800 233 (6mm)	 800 271 (6mm)
28mm	P 1179 (18mm) 		 800 252 (8mm)	 800 277 (8mm)
30mm			 800 233 (6mm)	 800 271 (6mm)
32mm	P 1176 (14mm) 		 800 252 (8mm)	 800 277 (8mm)
34mm			 800 233 (6mm)	 800 271 (6mm)
36mm	P 1494 (10mm) 		 800 252 (8mm)	 800 277 (8mm)
38mm			 800 233 (6mm)	 800 271 (6mm)
40mm	P 1495 (6mm) 		 800 252 (8mm)	 800 277 (8mm)
42mm			 800 233 (6mm)	 800 271 (6mm)
44mm	P 1496 (2mm) 		 800 252 (8mm)	 800 277 (8mm)
46mm			 800 233 (6mm)	 800 271 (6mm)

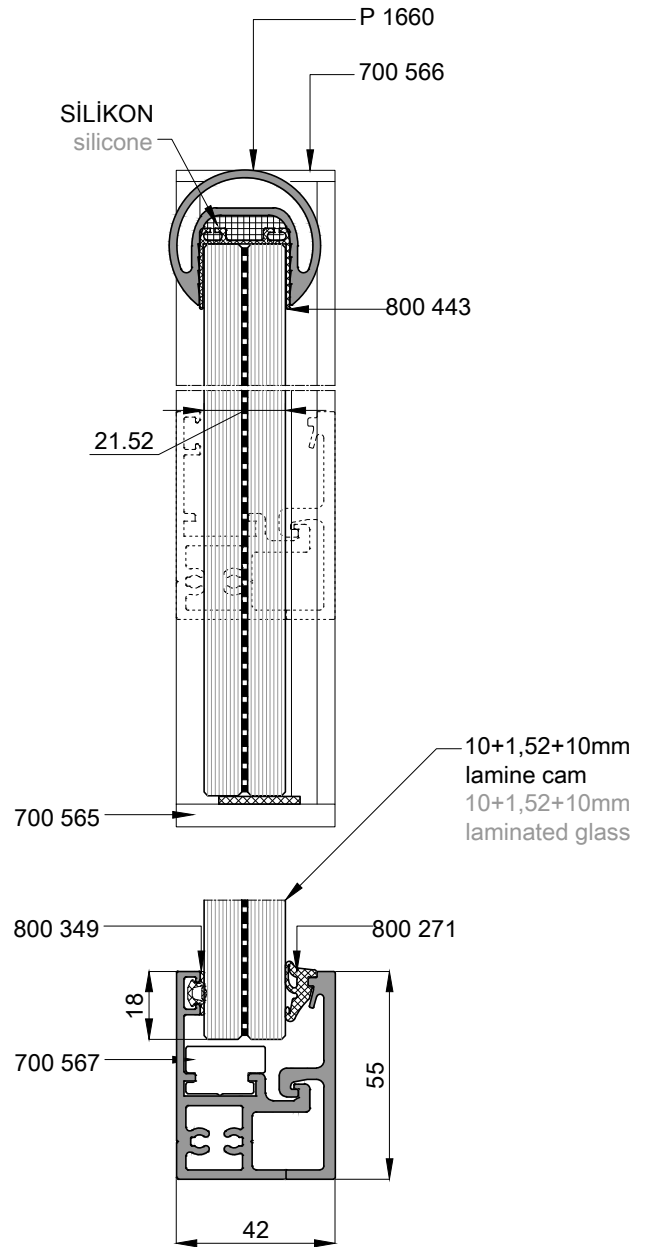
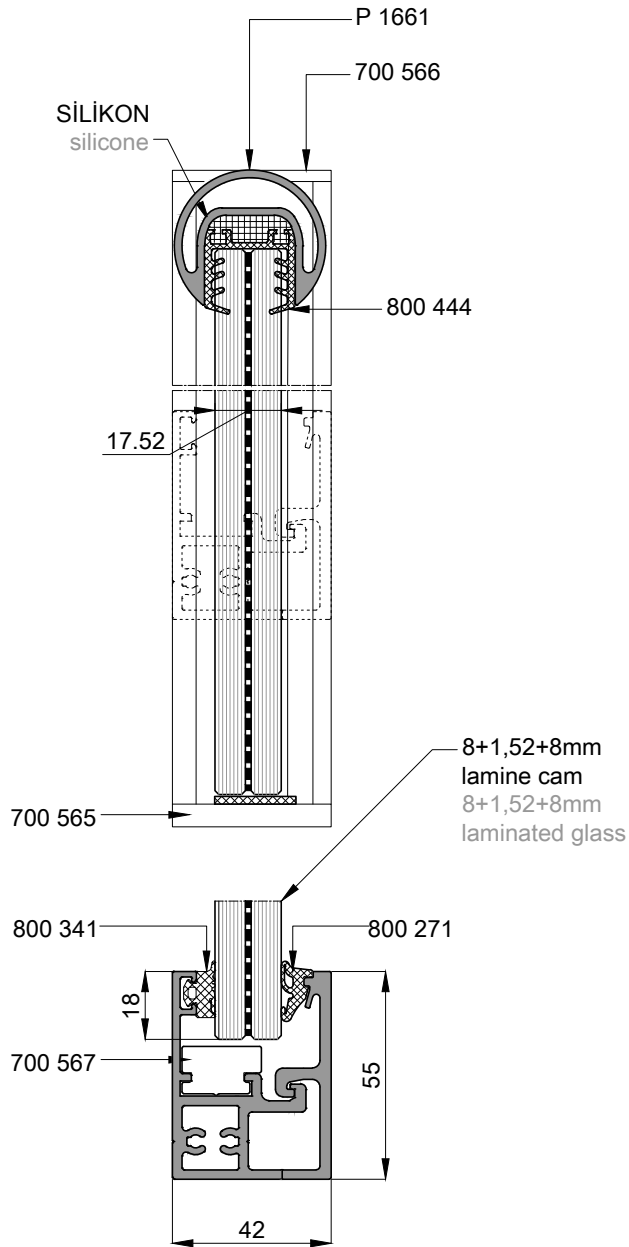


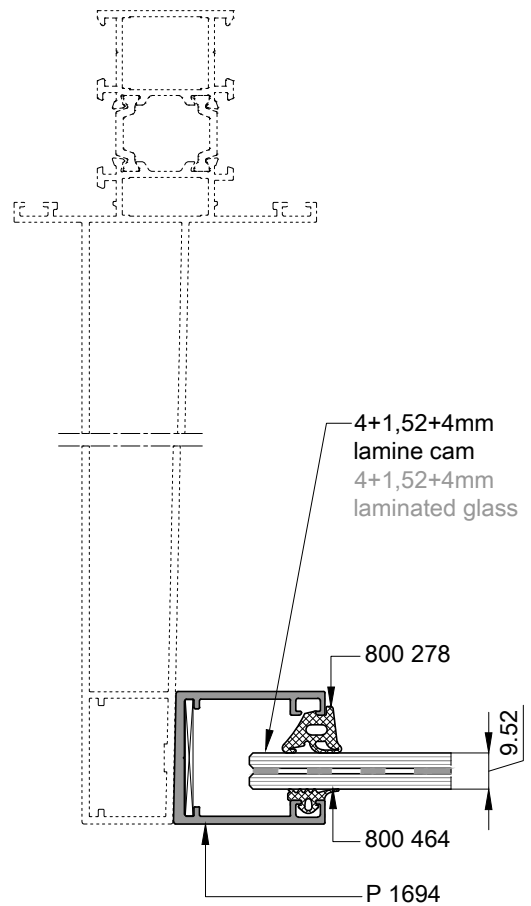
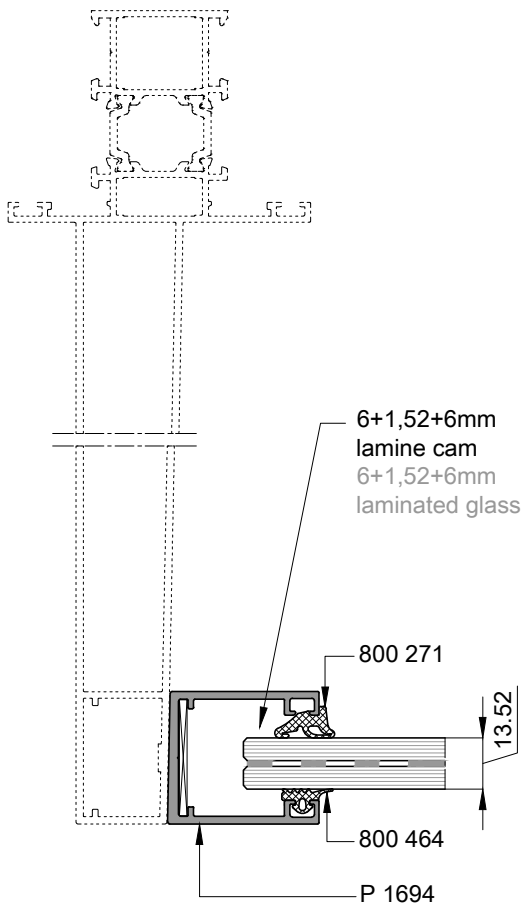
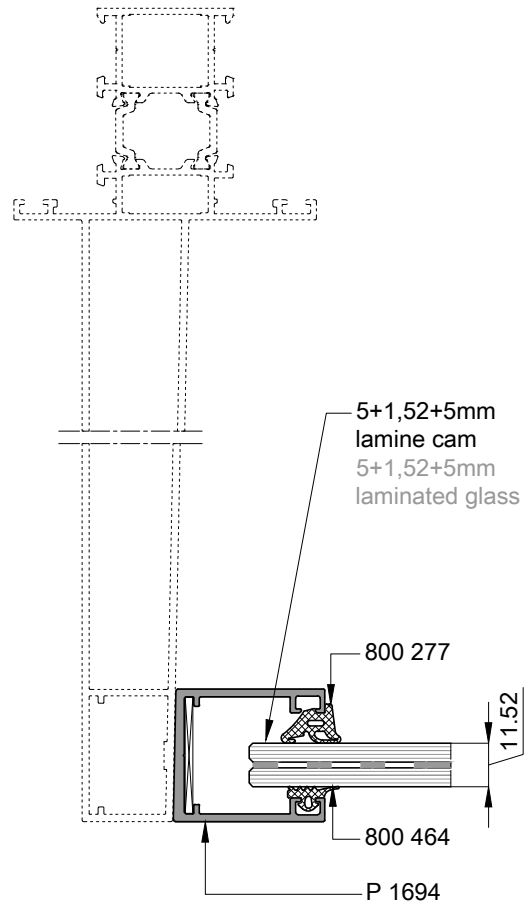
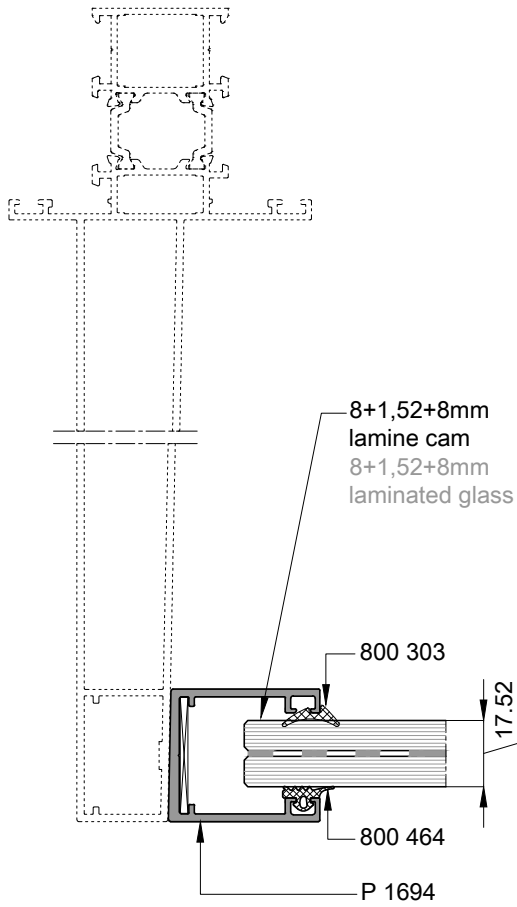
Yanda tablodaki veriler teoriktir.  
Lütfen cam ve conta toleranslarını dikkate alınız.  
selection tables promise a first planning.  
Please keep the glass and gasket tolerances in mind.























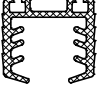
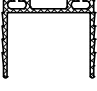





**BASIC 56**  
**KAPI ve PENCERE SİSTEMİ**  
**DOOR and WINDOW SYSTEM**

**CONTALAR**  
**GASKETS**

CONTA ŞEKLİ GASKET SECTION	CONTA KODU GASKET NO	MALZEME MATERIAL	CONTA TANIMI GASKET DESCRIPTION	PAKET PACKAGE
	800 218	EPDM	DIŞ CAM CONTASI exterior glazing gasket	188mt/pk 0,069kg/mt
	800 271	EPDM	6mm İÇ CAM CONTASI 6mm interior glazing gasket	192mt/pk 0,078kg/mt
	800 277	EPDM	8mm İÇ CAM CONTASI 8mm interior glazing gasket	150mt/pk 0,100kg/mt
	800 278	EPDM	10mm İÇ CAM CONTASI 10mm interior glazing gasket	120mt/pk 0,125kg/mt
	800 233	EPDM	6mm PERDELİ İÇ CAM CONTASI 6mm interior glazing gasket	125mt/pk 0,120kg/mt
	800 252	EPDM	8mm PERDELİ İÇ CAM CONTASI 8mm interior glazing gasket	100mt/pk 0,150kg/mt
	800 296	EPDM	10mm PERDELİ İÇ CAM CONTASI 10mm interior glazing gasket	90mt/pk 0,165kg/mt
	800 270	EPDM	ORTA SIZDIRMAZLIK CONTASI central tightness gasket	68mt/pk 0,191kg/mt
	800 331	EPDM	DIŞ BİNİ CONTASI exterior overlap gasket	293mt/pk 0,034kg/mt
	800 332	EPDM	İÇ BİNİ CONTASI interior overlap gasket	370mt/pk 0,027kg/mt

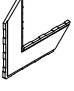

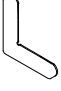


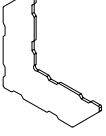
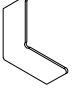
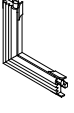
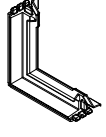




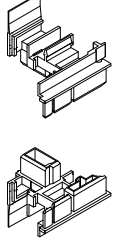
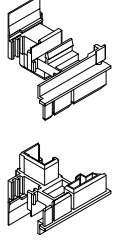
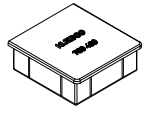
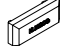

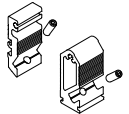
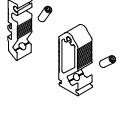
CONTA ŞEKLİ GASKET SECTION	CONTA KODU GASKET NO	MALZEME MATERIAL	CONTA TANIMI GASKET DESCRIPTION	PAKET PACKAGE
	800 234	EPDM	Ø4mm YUVARLAK CONTA Ø4 oring gasket	500mt/pk 0,017kg/mt
	800 272	EPDM	PERVAZ BİNİ CONTASI overlap gasket for architrave	263mt/pk 0,038kg/mt
	800 288	EPDM	CEPHE ADAPTÖR BESLEME CONTASI adding gasket facade adapter	200mt/pk 0,065kg/mt
	800 289	EPDM	CEPHE ADAPTÖR BESLEME CONTASI adding gasket facade adapter	135mt/pk 0,108kg/mt
	800 290	EPDM	CEPHE ADAPTÖR BESLEME CONTASI adding gasket facade adapter	98mt/pk 0,153kg/mt
	800 291	EPDM	CEPHE ADAPTÖR BESLEME CONTASI adding gasket facade adapter	80mt/pk 0,186kg/mt
	800 292	EPDM	CEPHE ADAPTÖR BESLEME CONTASI adding gasket facade adapter	68mt/pk 0,221kg/mt
	800 293	EPDM	KÖRKASA PROFİLİ KANAL KAPATMA CONTASI closing gasket for subframe	255mt/pk 0,059kg/mt
	800 294	EPDM	KÖRKASA PROFİLİ KAMA CONTASI interior gasket for subframe	185mt/pk 0,081kg/mt
	800 298	EPDM	EŞİK PROFİLİ KANAL KAPATMA CONTASI closing gasket for threshold	192mt/pk 0,078kg/mt

CONTA ŞEKLİ GASKET SECTION	CONTA KODU GASKET NO	MALZEME MATERIAL	CONTA TANIMI GASKET DESCRIPTION	PAKET PACKAGE
	800 383	EPDM	DAİRESEL KÖŞE PROFİLİ BİNİ CONTASI exterior overlap gasket for circular adapter profile	180mt/pk 0,083kg/mt
	800 490	EPDM	PERVAZ BİNİ CONTASI overlap gasket for architrave	370mt/pk 0,027kg/mt
	800 444	EPDM	U CAM CONTASI u shape glazing gasket	70mt/pk 0,207kg/mt
	800 443	EPDM	U CAM CONTASI u shape glazing gasket	110mt/pk 0,105kg/mt
	800 341	EPDM	5mm İÇ CAM CONTASI 5mm interior glazing gasket	160mt/pk 0,093kg/mt
	800 349	EPDM	0.8mm İÇ CAM CONTASI 0.8mm interior glazing gasket	345mt/pk 0,029kg/mt
	800 342	EPDM	7mm İÇ CAM CONTASI 7mm interior glazing gasket	128mt/pk 0,117kg/mt
	800 303	EPDM	2mm İÇ CAM CONTASI 2mm interior glazing gasket	240mt/pk 0,042kg/mt
	800 464	EPDM	3mm KORKULUK DIŞ CAM CONTASI 3mm railing exterior glazing gasket	233mt/pk 0,043kg/mt

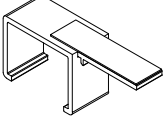

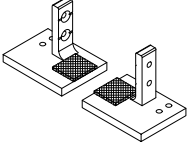
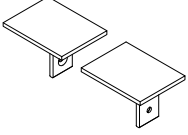
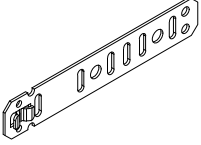
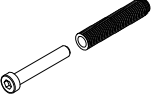
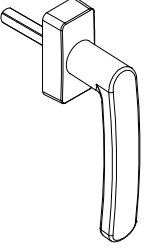
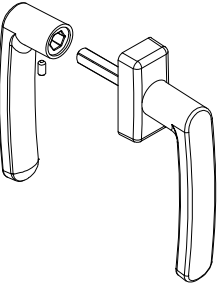
**BASIC 56**  
**KAPI ve PENCERE SİSTEMİ**  
**DOOR and WINDOW SYSTEM**

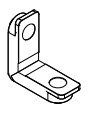
**AKSESUARLAR**  
**ACCESSORIES**

AKSESUAR ŞEKLİ ACCESSORIES SHAPE	AKSESUAR ACCESS. NO	AKSESUAR TANIMI ACCESSORIES DESCRIPTION	MİKTAR QUANTITY
	700 303	PVC KÖŞE ONBAŞI pvc corner angle for architrave	500 adet/pieces
	700 322	ALYENLİ ALUMİNYUM ONBAŞI aluminium angle with alien key	250 adet/pieces
	700 356	KANAT İÇ BİNİ İÇİN ONBAŞI aluminum corner angle for sash	500 adet/pieces
	700 334	KASA İÇİN PVC ONBAŞI pvc corner angle for sash and frame	500 adet/pieces
	700 335	T KASA İÇİN PVC ONBAŞI pvc corner angle for frame	500 adet/pieces
	700 401	KÖRKASA PROFİLİ İÇİN ONBAŞI outer corner angle for subframe profile	500 adet/pieces
	700 402	KÖRKASA ÇITA PROFİL İÇİN ONBAŞI inner corner angle for subframe profile	500 adet/pieces
	700 305	DIŞ CAM CONTASI İÇİN KÖŞE VULKANİZE vulcanized corner for ext.glazing gasket	50 adet/pieces
	700 405	ORTA SIZDIRMAZLIK CONTASI İÇİN KÖŞE VULKANİZE vulcanized corner for central gasket	50 adet/pieces
	700 354	PERVAZ MONTAJ KLİPSİ pvc clip for architrave assembly	100 adet/pieces

AKSESUAR ŞEKLİ ACCESSORIES SHAPE	AKSESUAR ACCESS. NO	AKSESUAR TANIMI ACCESSORIES DESCRIPTION	MİKTAR QUANTITY
	700 389	KAPI ALTI FIRÇASI brush for sill profile	100 adet/pieces
	700 363	PVC KANALLI ÇİFT KANAT ADAPTÖR PROFİLİ ALT ve ÜST KAPAGI pvc cap plug for double pvc channel sash adapter profile	50 çift/pair
	700 364	TİJ KANALLI ÇİFT KANAT ADAPTÖR PROFİLİ ALT ve ÜST KAPAGI pvc cap plug for double euro channel sash adapter profile	50 çift/pair
	700 400	TAKVİYELİ ORTAKAYIT PROFİLİ ALT ve ÜST KAPAGI pvc cap plug for reinforcement mullion profile	50 adet/pieces
	700 336	SU TAHLİYE KAPAGI water drain hole cap	500 adet/pieces
	700 451	SU TAHLİYE KAPAGI water drain hole cap	500 adet/pieces
	700 333	ORTA KAYIT T BİRLEŞİM ÖN ve ARKA PARÇASI T connecting bracket for mullion	50 çift/pair
	700 403	ORTA KAYIT T BİRLEŞİM ÖN ve ARKA PARÇASI T connecting bracket for mullion	50 çift/pair

AKSESUAR ŞEKLİ ACCESSORIES SHAPE	AKSESUAR ACCESS. NO	AKSESUAR TANIMI ACCESSORIES DESCRIPTION	MİKTAR QUANTITY
	700 502	ORTA KAYIT T BİRLEŞİM ÖN ve ARKA PARÇASI T connecting bracket for mullion	50 çift/pair
	700 857	ORTA KAYIT T BİRLEŞİM ÖN ve ARKA PARÇASI T connecting bracket for mullion	50 çift/pair
	700 404	DAMLALIK PROFİLİ KAPAGI pvc cap plug for dropper profile	50 çift/pair
	700 585	DÜZ KANAT İÇİN CAM TAKOZU glass support for sash	100 adet/pieces
	700 586	KASA İÇİN CAM TAKOZU glass support for frame	100 adet/pieces
	700 587	OVAL KANAT İÇİN CAM TAKOZU glass support for circular sash	100 adet/pieces
	700 588	28mm ORTA KAYIT T BİRLEŞİM EPDM KÖPÜK epdm foam for T joint for 28mm mullion	100 adet/pieces
	700 589	36,6mm ORTA KAYIT T BİRLEŞİM EPDM KÖPÜK epdm foam for T joint for 36,6mm mullion	100 adet/pieces
	700 590	44mm ORTA KAYIT T BİRLEŞİM EPDM KÖPÜK epdm foam for T joint for 44mm mullion	100 adet/pieces
	700 567	CAM SABİTLEME CONTASI glass stabilizer gasket	20 adet/pieces

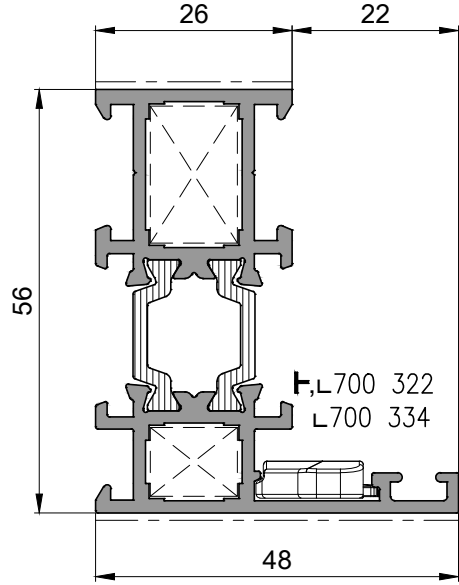
AKSESUAR ŞEKLİ ACCESSORIES SHAPE	AKSESUAR ACCESS. NO	AKSESUAR TANIMI ACCESSORIES DESCRIPTION	MİKTAR QUANTITY
	700 859	KORKULUK CAM TAŞIYICI glass support for railing	20 adet/pieces
	700 861	ALUMİNYUM KÖŞE ONBAŞI aluminium corner angle	20 adet/pieces
	700 565	KORKULUK CAM TAŞIYICI glass support for railing	20 çift/pair
	700 566	KORKULUK PROFİL ÜST KAPAĞI alu. and cap plug for railing top	20 çift/pair
	700 773	2mm GALVANİZLİ ANKRAJ 2mm galvanize strap anchor	20 adet/pieces
	700 568	KORKULUK MONTAJ SETİ railing mounting set	20 çift/pair
	700 830	140mm DÜZ KOL(90°Stoplmalı) 140mm handle(90° stopping)	1 adet/pieces
	700 831	140mm DÜZ KOL(yaylı) 140mm handle(sprung)	1 adet/pieces

AKSESUAR ŞEKLİ ACCESSORIES SHAPE	AKSESUAR ACCESS. NO	AKSESUAR TANIMI ACCESSORIES DESCRIPTION	MİKTAR QUANTITY
	700 832	SOLA KIVRIK KOL to the left curled handle	1 adet/pieces
	700 833	SAĞA KIVRIK KOL to the right curled handle	1 adet/pieces
	910 526	KOL ADAPTÖR gearbox adapter	20 adet/pieces
	700 435	BUTONLU KÖŞE TAKOZU (10x25 button corner for fly screen)	50 adet/pieces
	700 436	BUTONLU KÖŞE TAKOZU (10x19 button corner for fly screen)	50 adet/pieces
	700 495	KÖŞE TAKOZU (19mm) corner cleat (19mm)	50 adet/pieces
	700 496	KÖŞE TAKOZU (25mm) corner cleat (25mm)	50 adet/pieces



**BASIC 56**  
**KAPI ve PENCERE SİSTEMİ**  
**DOOR and WINDOW SYSTEM**

**TAM ÖLÇEKLİ ALUMİNYUM PROFİLLER**  
**FULL SCALE PROFILES**



### P 1708

L Kasa Profili / 1,251kg/mt

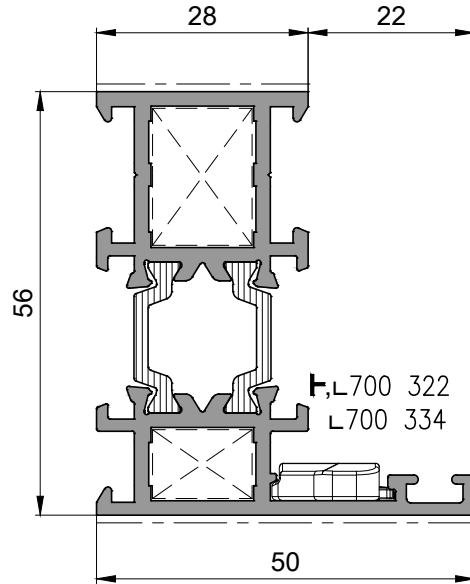
L Frame Profile

	20-5478	20-5416
	P1163 9.1mm	P1163 18.1mm
	700 322 700 334	-
	-	-

ix )  
14.40 cm<sup>4</sup>

ly )  
4.50 cm<sup>4</sup>

NOT : 700 322 Onbaşı T ve L Köşe Birleşimde Kullanılır. 700 322 T and L corner angle are used in corner joint  
45° Köşe Birleşimde 700 322 Alternatifi 700 334 Kullanılır. 700 334 is used as the alternative for 700 322 in 45° corner joint.  
45° Köşe Birleşimde Sadece Dışta 700 335 kullanılır. 700 335 is used only on the exterior for 45° corner joint



### P 1245

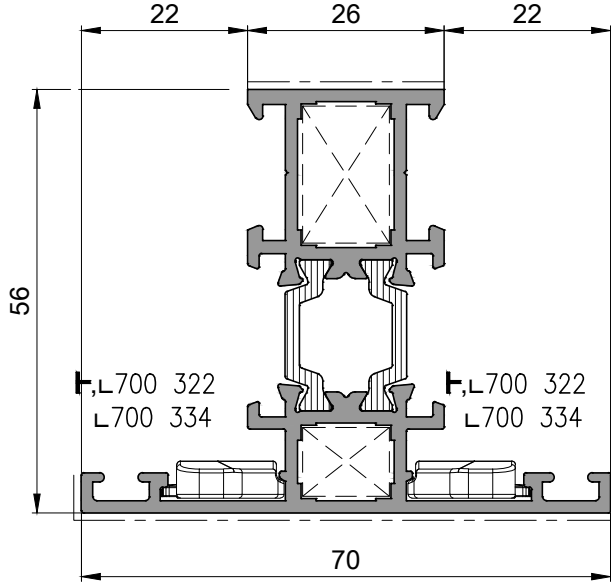
L Kasa Profili / 1,380kg/mt

L Frame Profile

	13997	13995
	P1069 9.1mm	P1069 18.1mm
	700 322 700 334	-
	-	-

ix )  
15.88 cm<sup>4</sup>

ly )  
5.42 cm<sup>4</sup>



### P 1649

T Kasa Profili / 1,385kg/mt

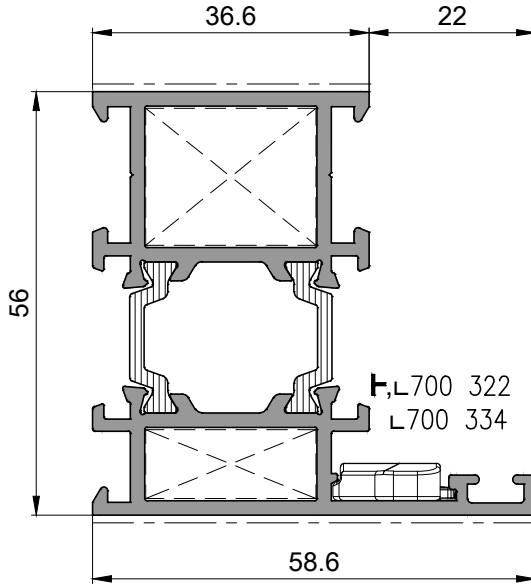
T Frame Profile

	20-5417	20-5416
	P1163 9.5mm	P1163 18.5mm
	700 322 700 334	-
	700 857	

lx )  
15.39 cm4

ly )  
09.18 cm4

NOT : 700 322 Onbaşı T ve L Köşe Birleşimde Kullanılır. 700 322 T and L corner angle are used in corner joint  
45° Köşe Birleşimde 700 322 Alternatifi 700 334 Kullanılır. 700 334 is used as the alternative for 700 322 in 45° corner joint.  
45° Köşe Birleşimde Sadece Dışta 700 335 kullanılır. 700 335 is used only on the exterior for 45° corner joint



### P 1168

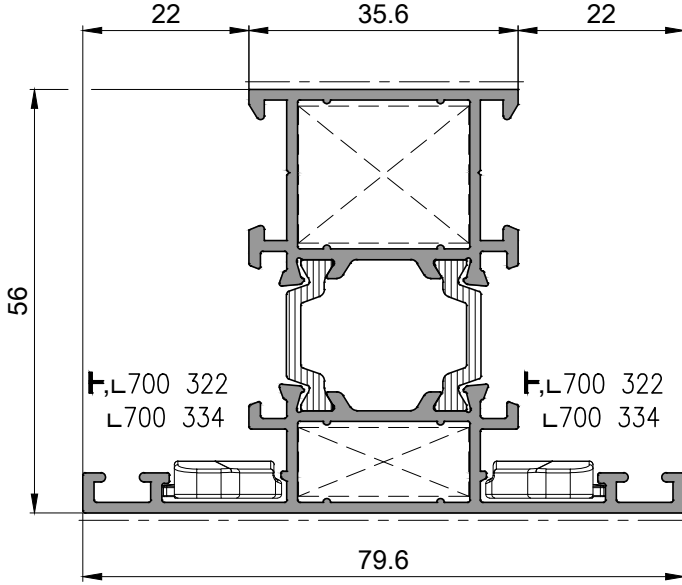
L Kasa Profili / 1,540kg/mt

L Frame Profile

	13103	13102
	P1118 9.1mm	P1118 18.1mm
	700 322 700 334	-
	-	

lx )  
18.45 cm4

ly )  
9.47 cm4



### P 1915

T Kasa Profili / 1,400kg/mt

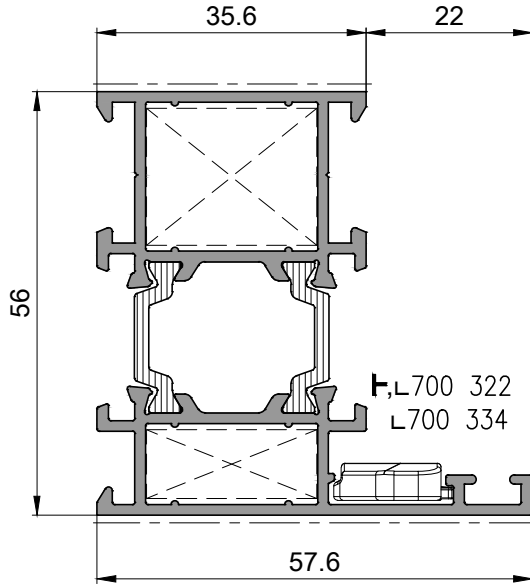
T Frame Profile

	17346	17344
	P1118 9.1mm	P1118 18.1mm
	700 322 700 334	-
	700 333	

$I_x$  )  
15.52 cm<sup>4</sup>

$I_y$  )  
13.86 cm<sup>4</sup>

NOT : 700 322 Onbaşı T ve L Köşe Birleşimde Kullanılır. 700 322 T and L corner angle are used in corner joint  
45° Köşe Birleşimde 700 322 Alternatifi 700 334 Kullanılır. 700 334 is used as the alternative for 700 322 in 45° corner joint.  
45° Köşe Birleşimde Sadece Dışta 700 335 kullanılır. 700 335 is used only on the exterior for 45° corner joint



### P 1916

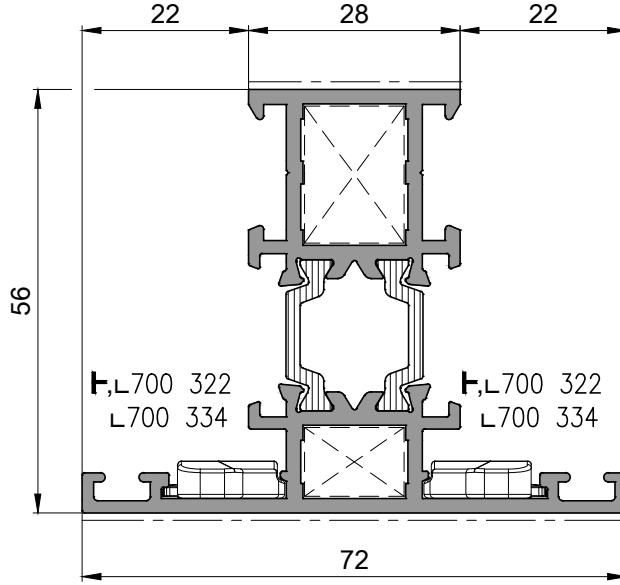
L Kasa Profili / 1,279kg/mt

L Frame Profile

	17345	17344
	P1118 9.1mm	P1118 18.1mm
	700 322 700 334	-
	-	

$I_x$  )  
14.75 cm<sup>4</sup>

$I_y$  )  
7.70 cm<sup>4</sup>



### P 1244

T Kasa Profili / 1,530kg/mt

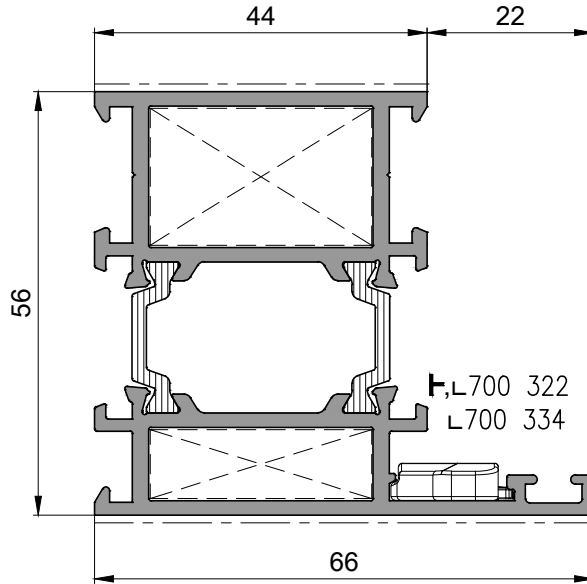
T Frame Profile

	13996	13995
	P1069 9.1mm	P1069 18.1mm
	700 322 700 334	-
	700 403	-

$I_x$  )  
17.31 cm<sup>4</sup>

$I_y$  )  
10.65 cm<sup>4</sup>

NOT : 700 322 Onbaşı T ve L Köşe Birleşimde Kullanılır. 700 322 T and L corner angle are used in corner joint  
45° Köşe Birleşimde 700 322 Alternatifi 700 334 Kullanılır. 700 334 is used as the alternative for 700 322 in 45° corner joint.  
45° Köşe Birleşimde Sadece Dışta 700 335 kullanılır. 700 335 is used only on the exterior for 45° corner joint



### P 1505

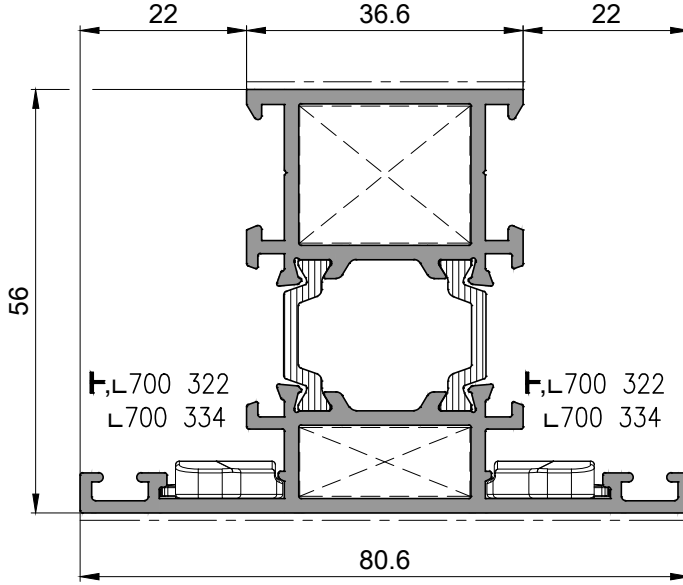
L Kasa Profili / 1,735kg/mt

L Frame Profile

	15290	14209
	P1162 9.1mm	P1162 18.1mm
	700 322 700 334	-
	-	-

$I_x$  )  
21.63 cm<sup>4</sup>

$I_y$  )  
14.48 cm<sup>4</sup>



### P 1167

T Kasa Profili / 1,690kg/mt

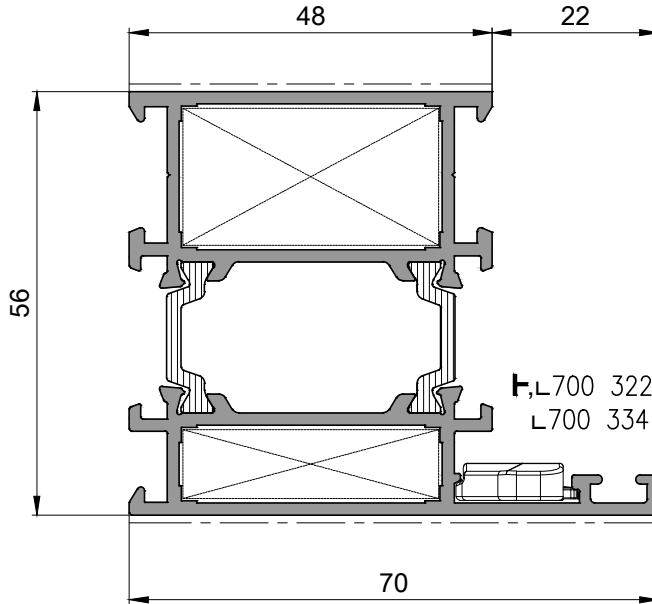
T Frame Profile

	13104	13102
	P1118 9.1mm	P1118 18.1mm
	700 322 700 334	-
	700 333	

ix )  
19.53 cm<sup>4</sup>

ly )  
16.57 cm<sup>4</sup>

NOT : 700 322 Onbaşı T ve L Köşe Birleşimde Kullanılır. 700 322 T and L corner angle are used in corner joint  
45° Köşe Birleşimde 700 322 Alternatifi 700 334 Kullanılır. 700 334 is used as the alternative for 700 322 in 45° corner joint.  
45° Köşe Birleşimde Sadece Dışta 700 335 kullanılır. 700 335 is used only on the exterior for 45° corner joint



### P 1650

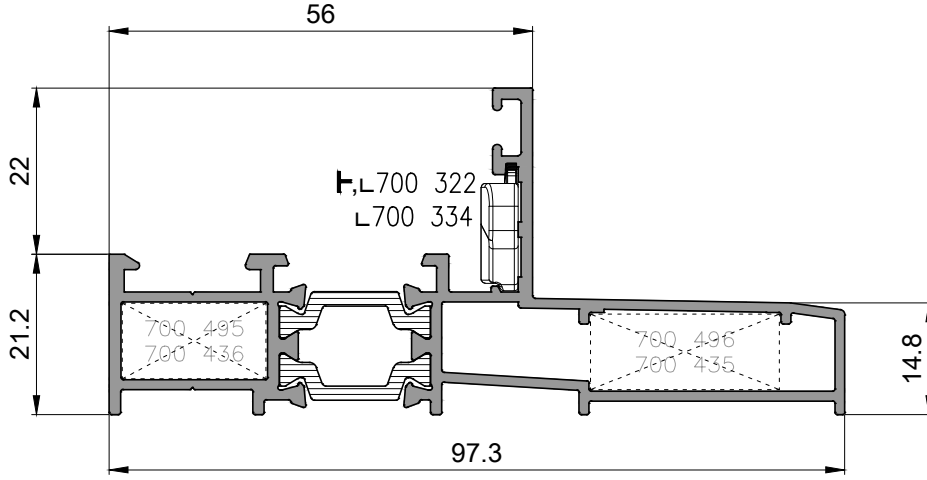
L Kasa Profili / 1,630kg/mt

L Frame Profile

	20-5415	20-5414
	P1879 9.1mm	P1879 18.1mm
	700 322 700 334	-
	-	

ix )  
21.08 cm<sup>4</sup>

ly )  
15.87 cm<sup>4</sup>



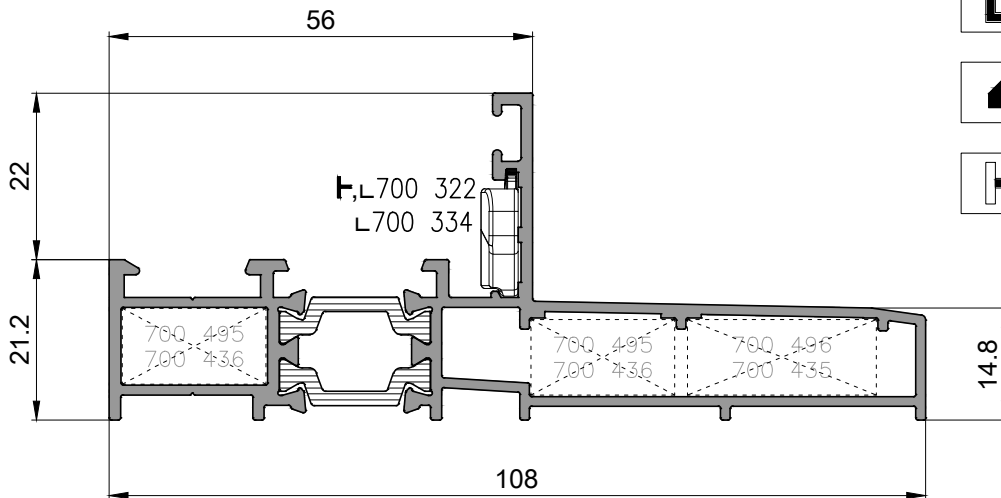
### P 1268

Kasa Profili / 1,315kg/mt

Frame Profile

	14066	14063
	P1288 25.0mm	P1288 19.0mm
	700 322	-
	700 334	-

NOT : 700 322 Onbaşı T ve L Köşe Birleşimde Kullanılır. 700 322 T and L corner angle are used in corner joint  
45° Köşe Birleşimde 700 322 Alternatifi 700 334 Kullanılır. 700 334 is used as the alternative for 700 322 in 45° corner joint.  
45° Köşe Birleşimde Sadece Dışta 700 335 kullanılır. 700 335 is used only on the exterior for 45° corner joint

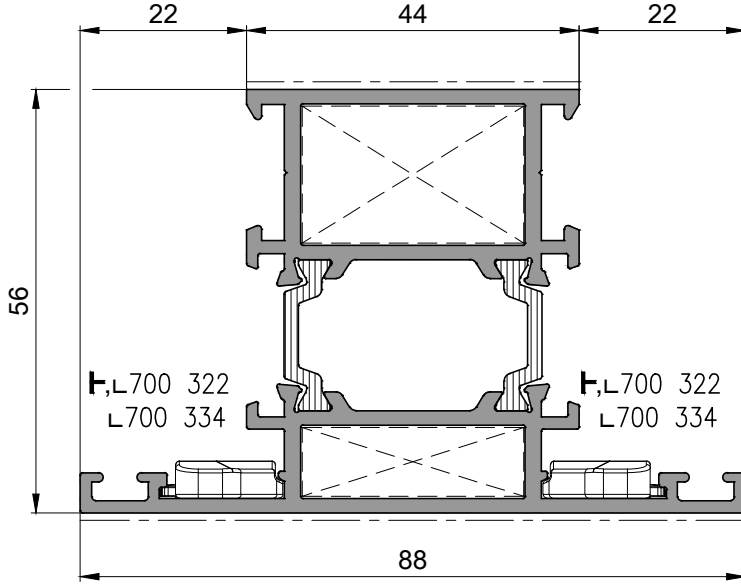


### P 1270

Kasa Profili / 1,410kg/mt

Frame Profile

	14065	14063
	P1288 19.0mm 25.0mm	P1288 19.0mm
	700 322	-
	700 334	-



### P 1337

T Kasa Profili / 1,880kg/mt

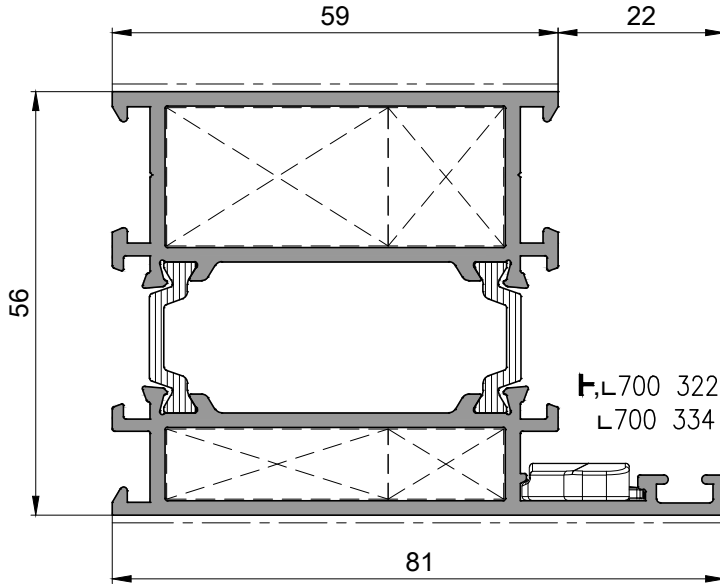
T Frame Profile

	14210	14209
	P1162 9.1mm	P1162 18.1mm
	700 322 700 334	-
	700 502	

$I_x$  )  
22.15 cm<sup>4</sup>

$I_y$  )  
23.68 cm<sup>4</sup>

NOT : 700 322 Onbaşı T ve L Köşe Birleşimde Kullanılır. 700 322 T and L corner angle are used in corner joint  
45° Köşe Birleşimde 700 322 Alternatifi 700 334 Kullanılır. 700 334 is used as the alternative for 700 322 in 45° corner joint.  
45° Köşe Birleşimde Sadece Dışta 700 335 kullanılır. 700 335 is used only on the exterior for 45° corner joint



### P 1628

L Kasa Profili / 2,020kg/mt

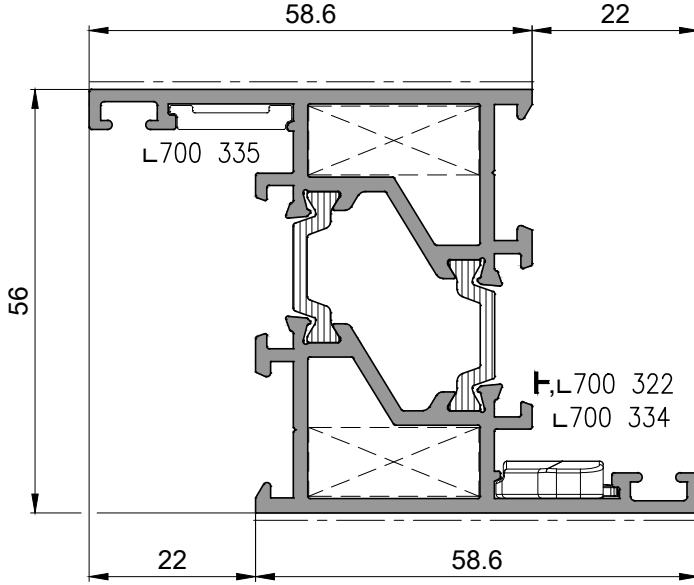
L Frame Profile

	15439	15438
	P1161 P1574 9.1mm	P1161 P1574 18.1mm
	700 322 700 334	-
	-	

$I_x$  )  
30.51 cm<sup>4</sup>

$I_y$  )  
24.55 cm<sup>4</sup>





### P 1504

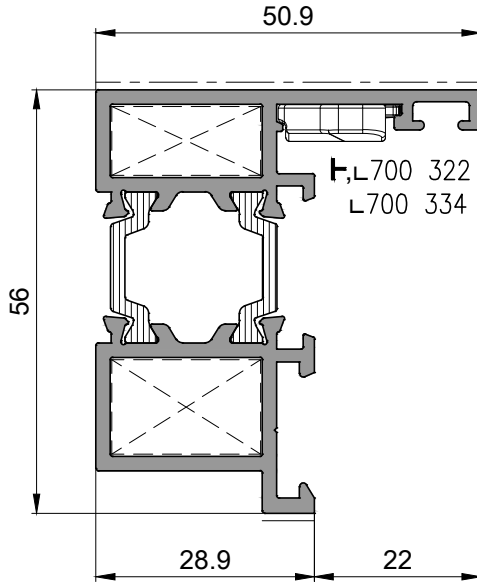
Z Kasa Profili / 1,740kg/mt  
Z Frame Profile

	15289	15289
	P1118 9.1mm	P1118 9.1mm
	700 322 700 334	700 335
	-	-

ix )  
25.95 cm<sup>4</sup>

ly )  
11.16 cm<sup>4</sup>

NOT : 700 322 Onbaşı T ve L Köşe Birleşimde Kullanılır. 700 322 T and L corner angle are used in corner joint  
45° Köşe Birleşimde 700 322 Alternatifi 700 334 Kullanılır. 700 334 is used as the alternative for 700 322 in 45° corner joint.  
45° Köşe Birleşimde Sadece Dışta 700 335 kullanılır. 700 335 is used only on the exterior for 45° corner joint



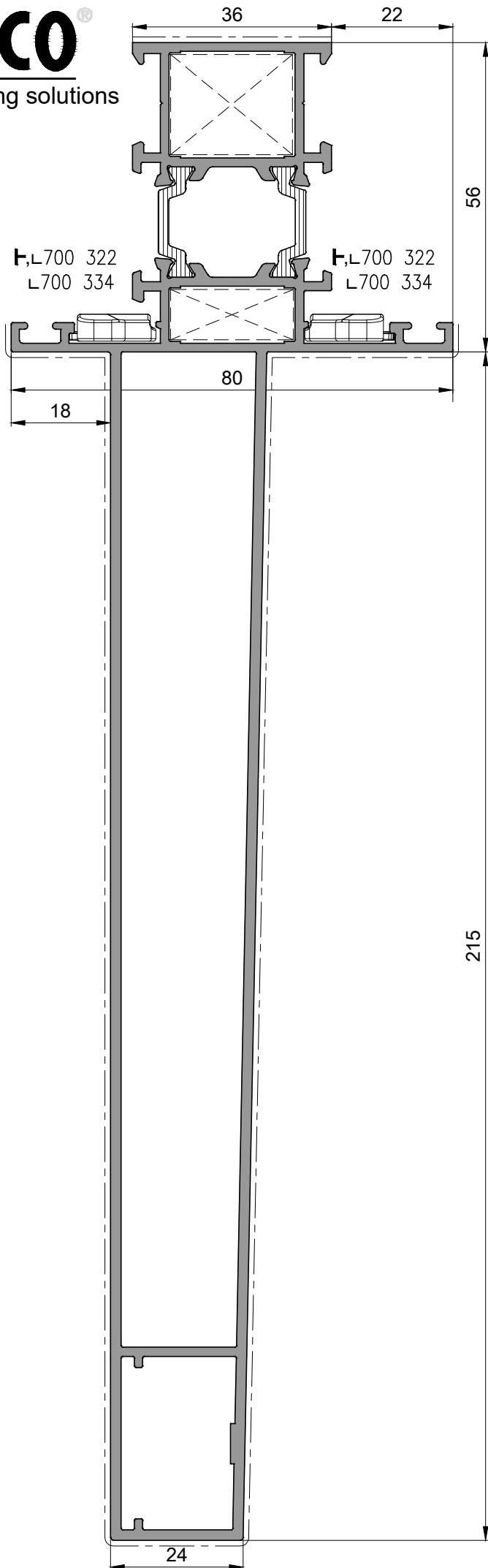
### P 1506

Adaptör Profili / 1,325kg/mt  
Adepter Profile

	15291	15292
	P1015 12.5mm	P1015 9.1mm
	-	700 322 700 334
	-	-

ix )  
13.64 cm<sup>4</sup>

ly )  
6.14 cm<sup>4</sup>

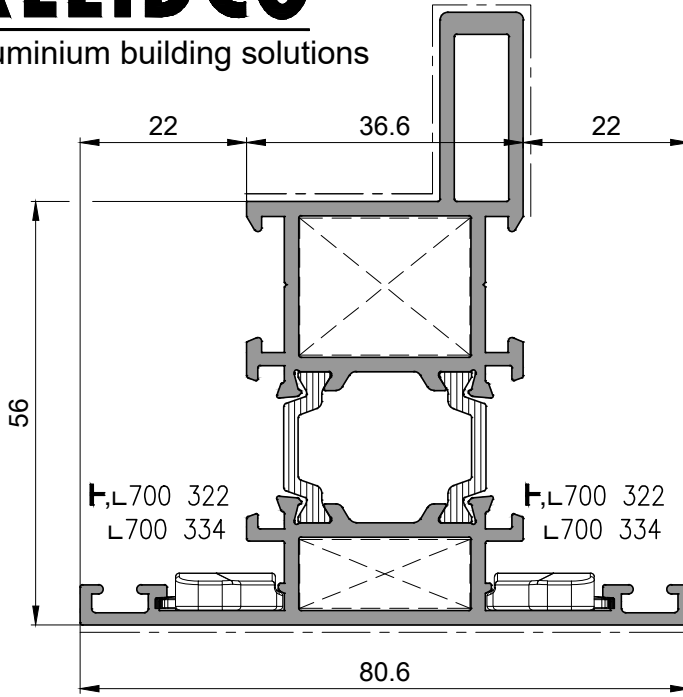


**P 1691**

Takviyeli Profil / 4,007kg/mt  
Reinforcement Profile

	17021	17019
	P1118 9.1mm	P1118 18.1mm
	700 322 700 334	-
	700 333	

$I_x$  877.93 cm<sup>4</sup>       $I_y$  28.52 cm<sup>4</sup>



**P 1627**

T Kasa Profili / 2,00kg/mt

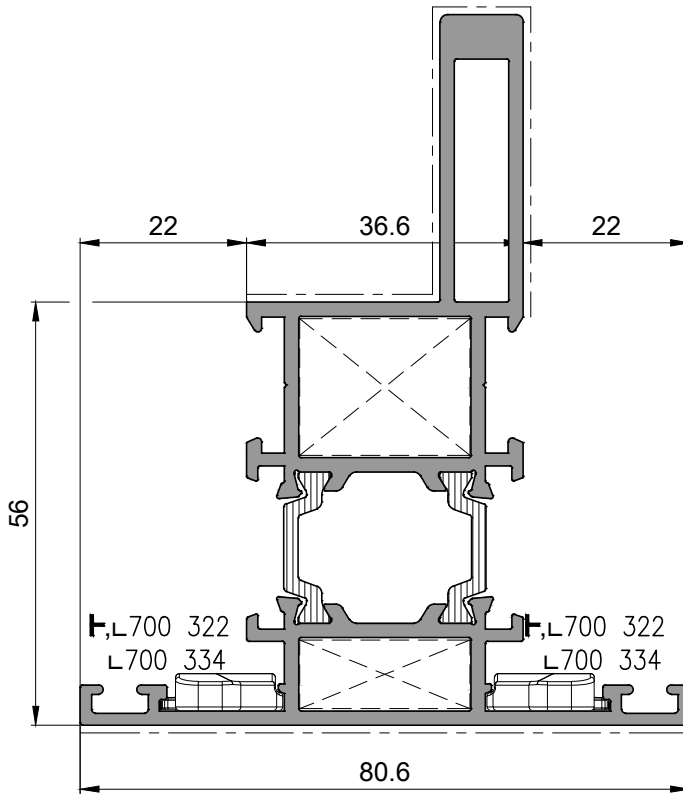
T Frame Profile

	13104	16422
	P1118 9.1mm	P1118 18.1mm
	700 322 700 334	-
	700 333	

$I_x$  )  
39.98 cm<sup>4</sup>

$I_y$  )  
17.13 cm<sup>4</sup>

NOT : 700 322 Onbaşı T ve L Köşe Birleşimde Kullanılır. 700 322 T and L corner angle are used in corner joint  
45° Köşe Birleşimde 700 322 Alternatifi 700 334 Kullanılır. 700 334 is used as the alternative for 700 322 in 45° corner joint.  
45° Köşe Birleşimde Sadece Dışta 700 335 kullanılır. 700 335 is used only on the exterior for 45° corner joint



**P 1705**

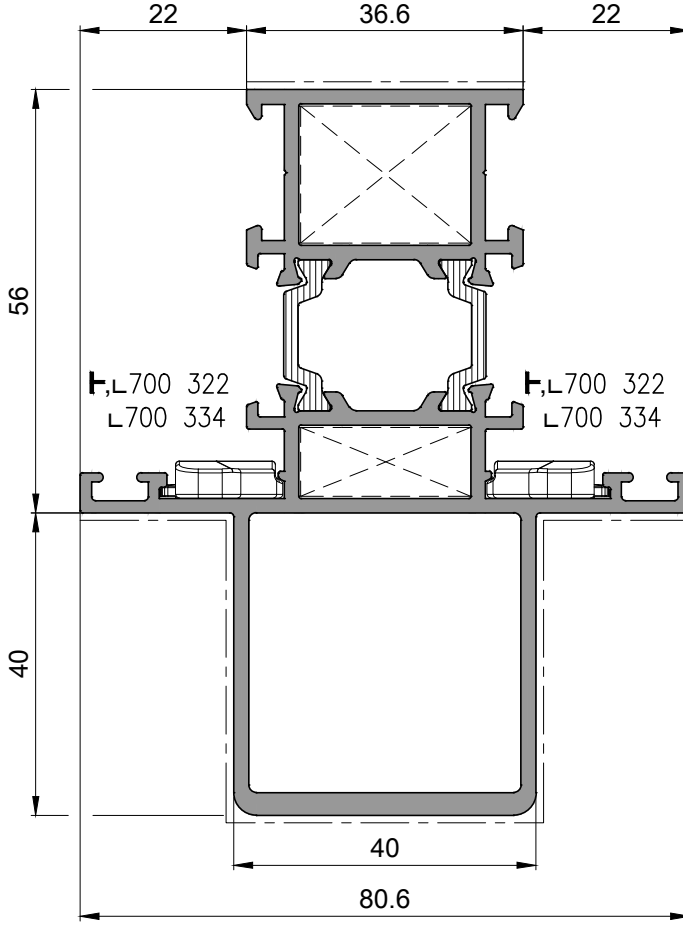
T Kasa Profili / 2,192kg/mt

T Frame Profile

	13104	17018
	P1118 9.1mm	P1118 18.1mm
	700 322 700 334	-
	700 333	

$I_x$  )  
61.06 cm<sup>4</sup>




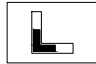

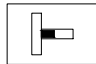
$I_y$  )  
17.25 cm<sup>4</sup>



## P 1165

Takviyeli Profil / 2,405kg/mt

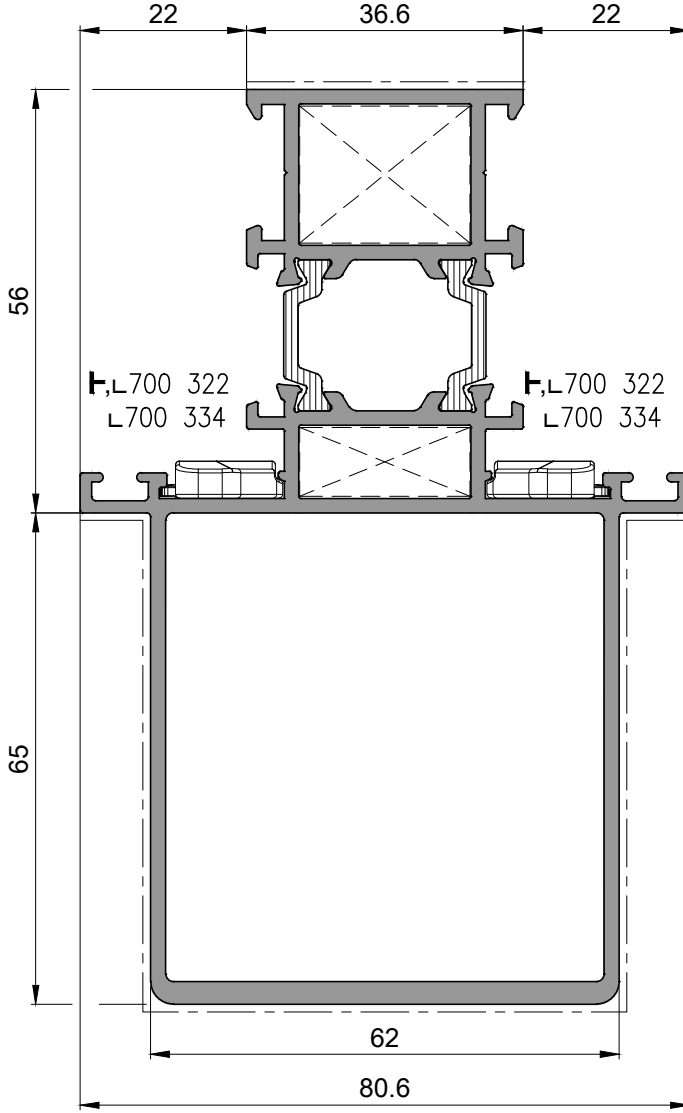
Mullion Profile

		
	13105	13102
	P1118 9.1mm	P1118 18.1mm
	700 322 700 334	-
	700 333	

$I_x$  )  
61.15 cm<sup>4</sup>

$I_y$  )  
23.40 cm<sup>4</sup>

NOT : 700 322 Onbaşı T ve L Köşe Birleşimde Kullanılır. 700 322 T and L corner angle are used in corner joint  
45° Köşe Birleşimde 700 322 Alternatifi 700 334 Kullanılır. 700 334 is used as the alternative for 700 322 in 45° corner joint.  
45° Köşe Birleşimde Sadece Dışta 700 335 kullanılır. 700 335 is used only on the exterior for 45° corner joint



**P 1166**

Takviyeli Profil / 2,855kg/mt

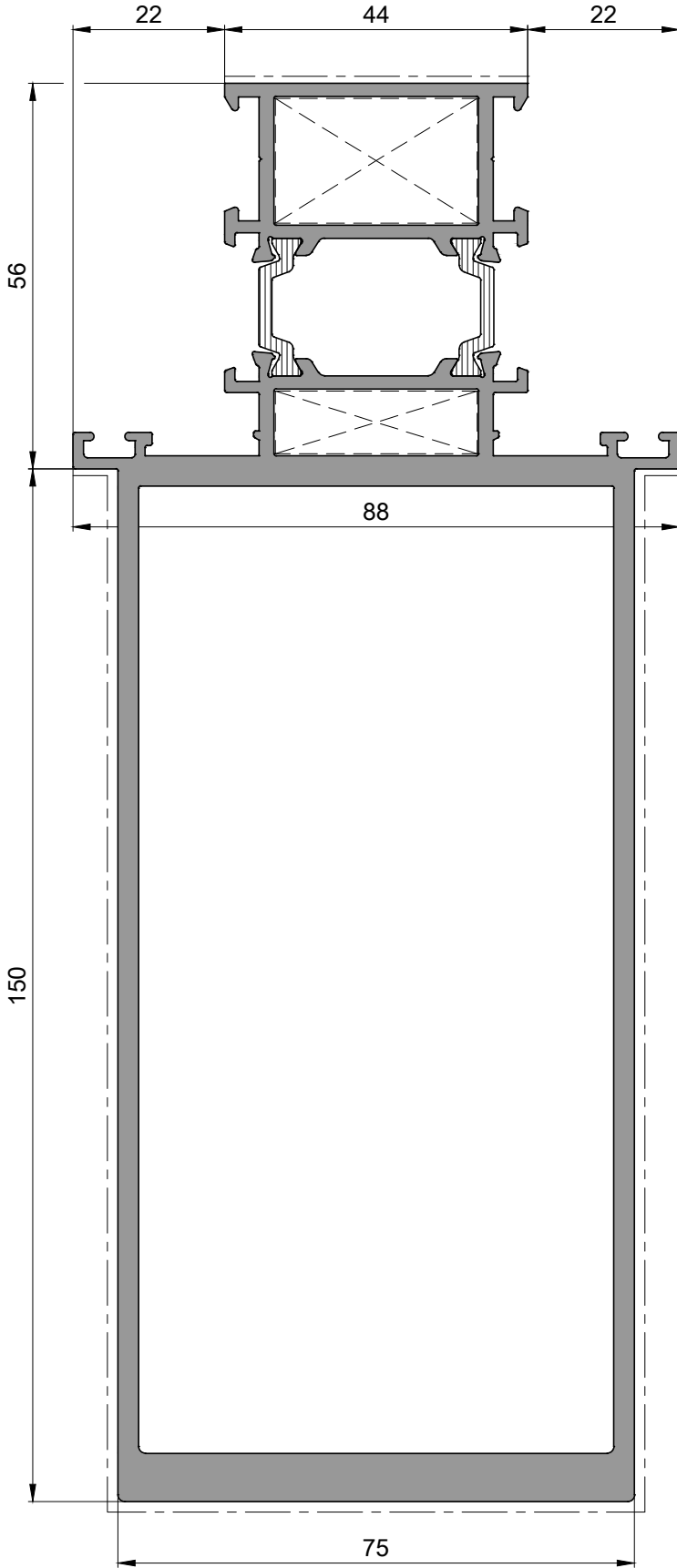
Mullion Profile

	13106	13102
	P1118 9.1mm	P1118 18.1mm
	700 322	-
	700 334	-
	700 333	-

$I_x$  )  
129.83 cm<sup>4</sup>




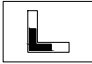

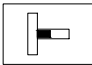
$I_y$  )  
44.58 cm<sup>4</sup>

NOT : 700 322 Onbaşı T ve L Köşe Birleşimde Kullanılır. 700 322 T and L corner angle are used in corner joint  
45° Köşe Birleşimde 700 322 Alternatifi 700 334 Kullanılır. 700 334 is used as the alternative for 700 322 in 45° corner joint.  
45° Köşe Birleşimde Sadece Dışta 700 335 kullanılır. 700 335 is used only on the exterior for 45° corner joint



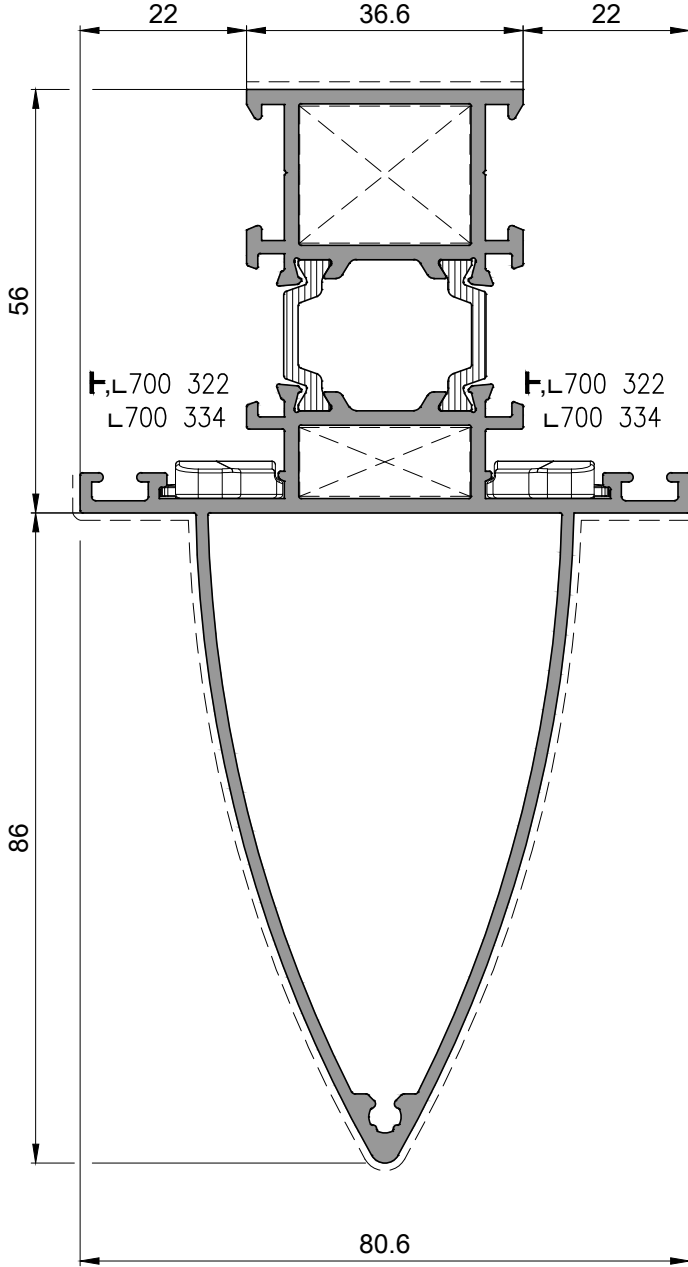
**P 1954**

Takviyeli Orta Kayıt Profili / 6,080kg/mt  
Mullion Profile With Reinforcement

		
	15408	14209
	P1162 9.1mm	P1162 18.1mm
	700 322 700 334	-
	700 502	

$I_x$  )  
912.22 cm<sup>4</sup>

$I_y$  )  
166.40 cm<sup>4</sup>



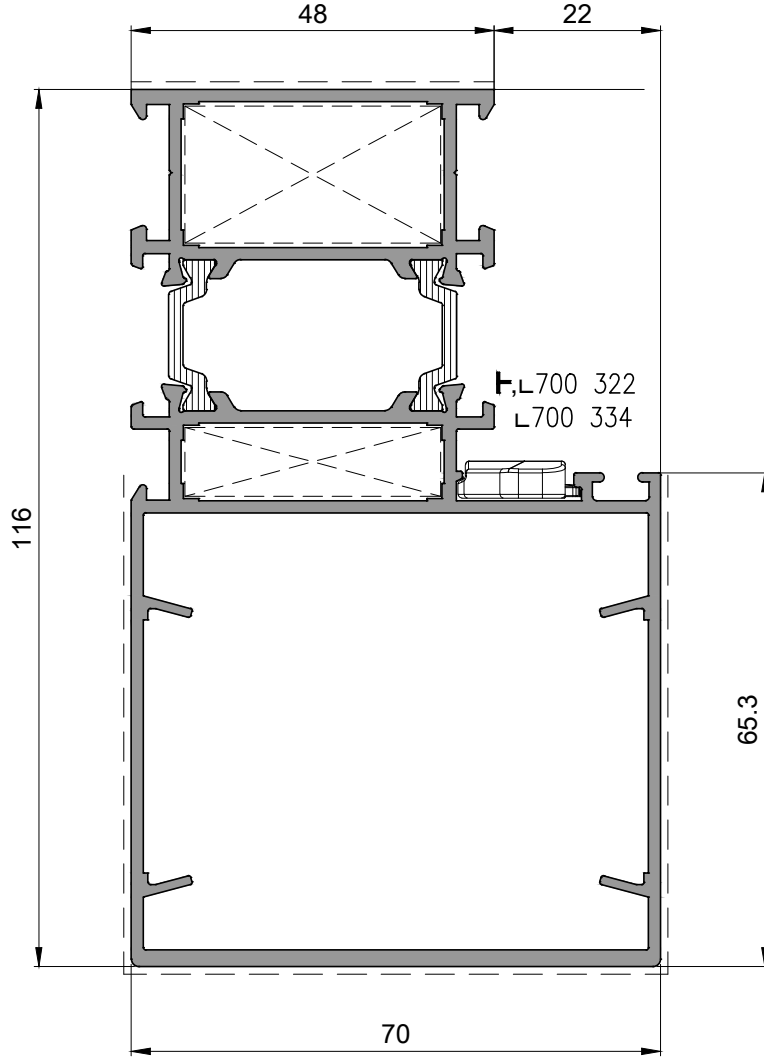
**P 2134**

Takiyeli Orta Kayıt Profili / 2,515kg/mt  
Mullion Profile With Reinforcement

	17758	13102
	P1163 9.1mm	P1163 18.1mm
	700 322 700 334	-
	700 333	




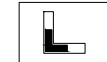

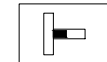
ix ) 115.16 cm<sup>4</sup>      ly ) 25.30 cm<sup>4</sup>

**NOT : 700 322 Onbaşı T ve L Köşe Birleşimde Kullanılır. 700 322 T and L corner angle are used in corner joint**  
**45° Köşe Birleşimde 700 322 Alternatifi 700 334 Kullanılır. 700 334 is used as the alternative for 700 322 in 45° corner joint.**  
**45° Köşe Birleşimde Sadece Dışta 700 335 kullanılır. 700 335 is used only on the exterior for 45° corner joint**



**P 1651**

Takviyeli Profil / 2,640kg/mt  
Reinforcement Frame Profile

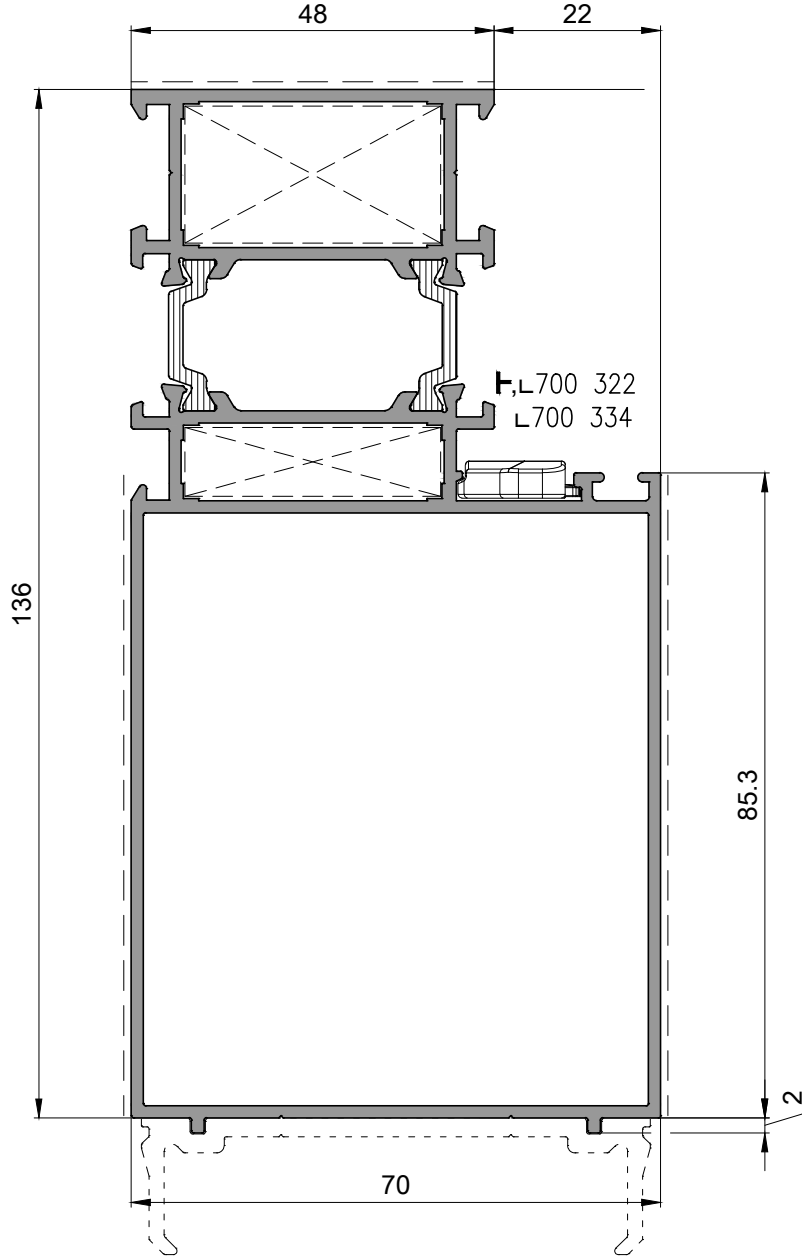
		
	20-5419	20-5414
	P1879 9.1mm	P1879 18.1mm
	700 322	-
	700 334	-

$I_x$  )  
115.89 cm<sup>4</sup>

$I_y$  )  
48.58 cm<sup>4</sup>






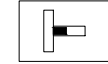
NOT : 700 322 Onbaşı T ve L Köşe Birleşimde Kullanılır. 700 322 T and L corner angle are used in corner joint  
45° Köşe Birleşimde 700 322 Alternatifi 700 334 Kullanılır. 700 334 is used as the alternative for 700 322 in 45° corner joint.  
45° Köşe Birleşimde Sadece Dışta 700 335 kullanılır. 700 335 is used only on the exterior for 45° corner joint





**P 1652**

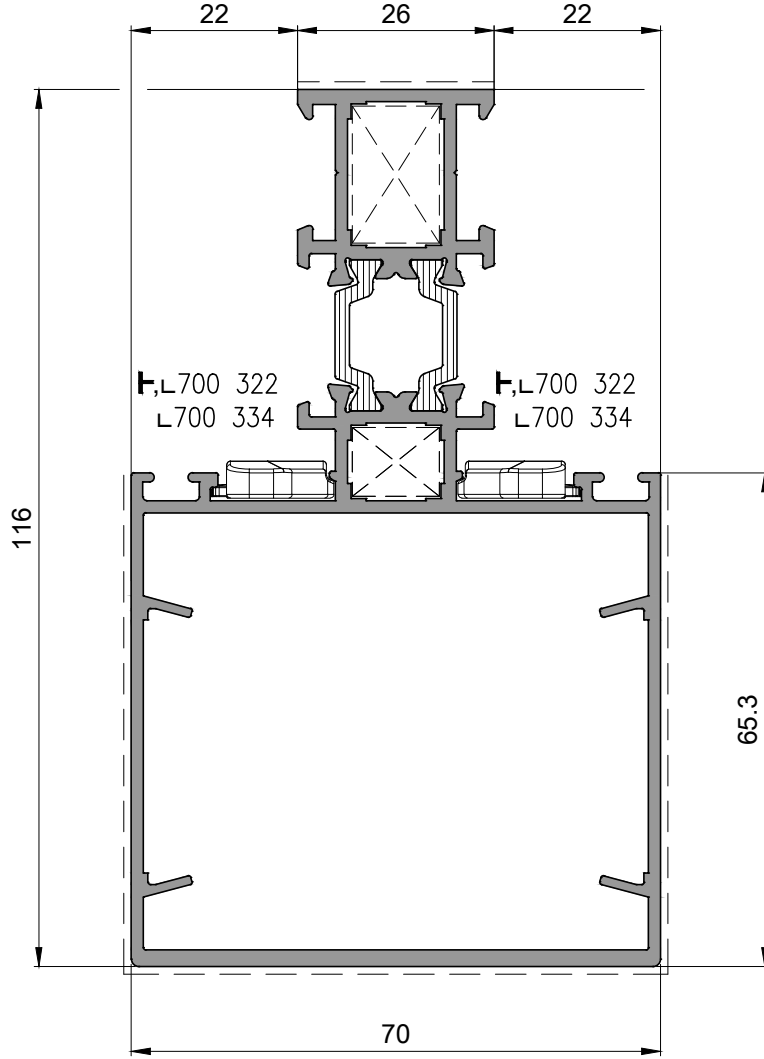
Takviyeli Profil / 2,630kg/mt  
Reinforcement Frame Profile

		
	20-5421	20-5414
	P1879 9.1mm	P1879 18.1mm
	700 322 700 334	-
	-	-

lx )  
153.12 cm<sup>4</sup>

ly )  
52.13 cm<sup>4</sup>

NOT : 700 322 Onbaşı T ve L Köşe Birleşimde Kullanılır. 700 322 T and L corner angle are used in corner joint  
45° Köşe Birleşimde 700 322 Alternatifi 700 334 Kullanılır. 700 334 is used as the alternative for 700 322 in 45° corner joint.  
45° Köşe Birleşimde Sadece Dışta 700 335 kullanılır. 700 335 is used only on the exterior for 45° corner joint



**P 1653**

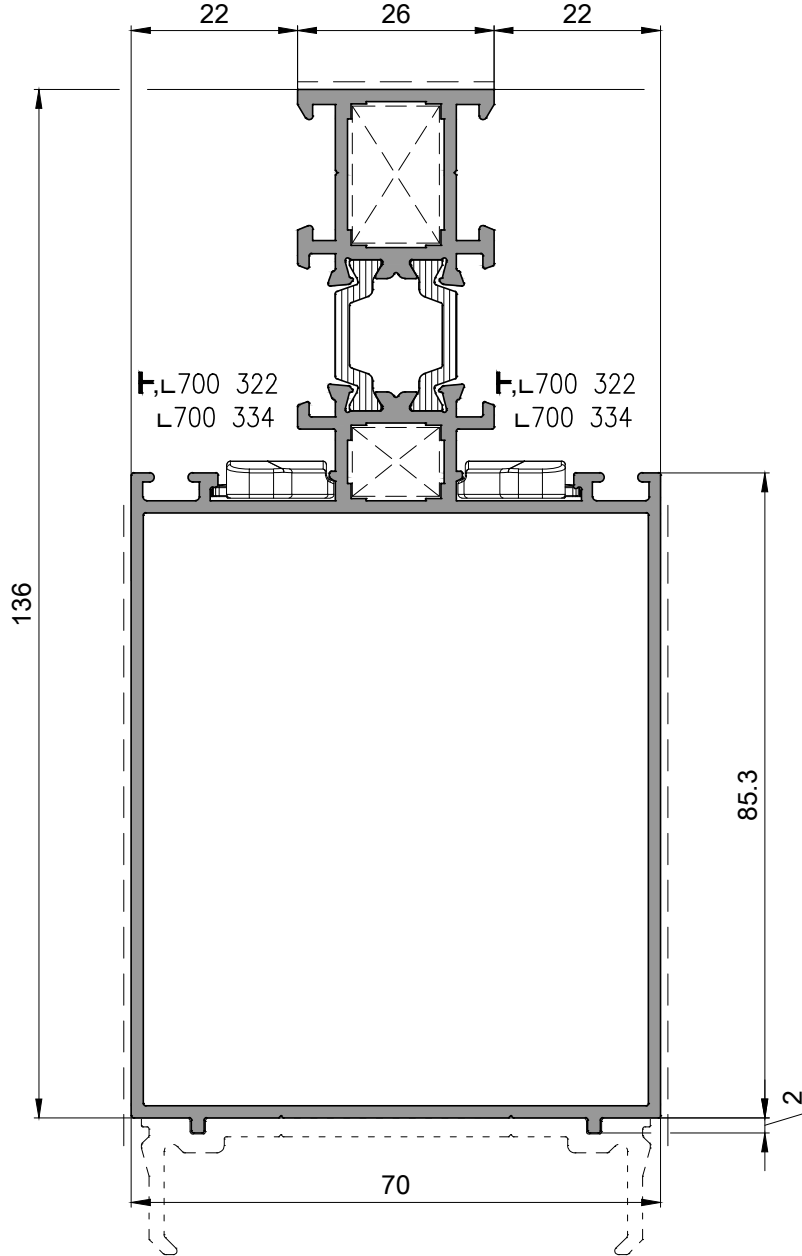
Takviyeli Profil / 2,395kg/mt  
Mullion Profile

	20-5418	20-5416
	P1163 9.1mm	P1163 18.1mm
	700 322 700 334	-
	700 857	

$I_x$  )  
97.74 cm<sup>4</sup>

$I_y$  )  
40.45 cm<sup>4</sup>

NOT : 700 322 Onbaşı T ve L Köşe Birleşimde Kullanılır. 700 322 T and L corner angle are used in corner joint  
45° Köşe Birleşimde 700 322 Alternatifi 700 334 Kullanılır. 700 334 is used as the alternative for 700 322 in 45° corner joint.  
45° Köşe Birleşimde Sadece Dışta 700 335 kullanılır. 700 335 is used only on the exterior for 45° corner joint



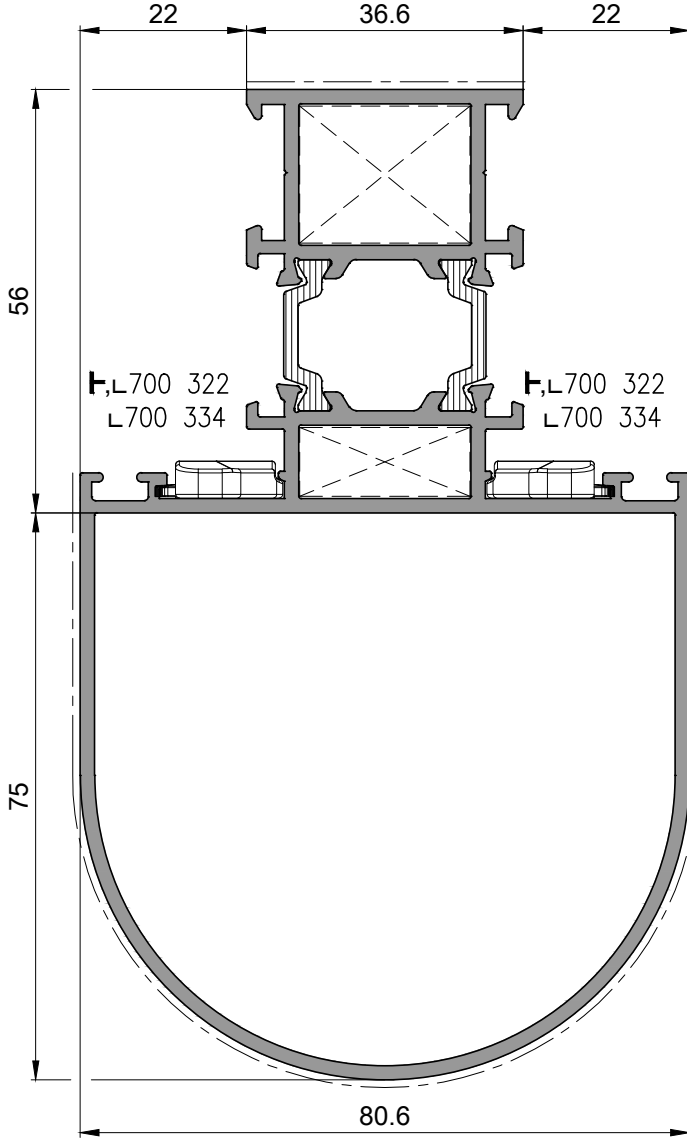
**P 1654**

Takviyeli Profil / 2,375kg/mt  
Mullion Profile

	20-5420	20-5416
	P1163 9.1mm	P1163 18.1mm
	700 322 700 334	-
	700 857	

ix ) 132.38 cm4  
ly ) 43.57 cm4

NOT : 700 322 Onbaşı T ve L Köşe Birleşimde Kullanılır. 700 322 T and L corner angle are used in corner joint  
45° Köşe Birleşimde 700 322 Alternatifi 700 334 Kullanılır. 700 334 is used as the alternative for 700 322 in 45° corner joint.  
45° Köşe Birleşimde Sadece Dışta 700 335 kullanılır. 700 335 is used only on the exterior for 45° corner joint



**P 1246**

Takviyeli Profil / 2,685kg/mt

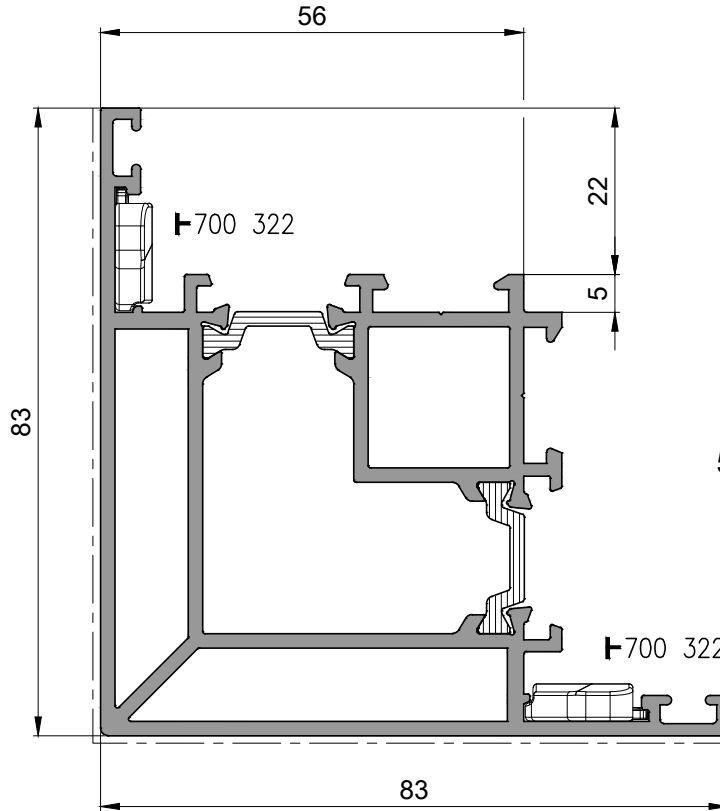
Mullion Profile

	13914	13102
	P1118 9.1mm	P1118 18.1mm
	700 322 700 334	-
	700 333	

$I_x$  )  
121.45 cm<sup>4</sup>




$I_y$  )  
55.20 cm<sup>4</sup>


NOT : 700 322 Onbaşı T ve L Köşe Birleşimde Kullanılır. 700 322 T and L corner angle are used in corner joint  
45° Köşe Birleşimde 700 322 Alternatifi 700 334 Kullanılır. 700 334 is used as the alternative for 700 322 in 45° corner joint.  
45° Köşe Birleşimde Sadece Dışta 700 335 kullanılır. 700 335 is used only on the exterior for 45° corner joint




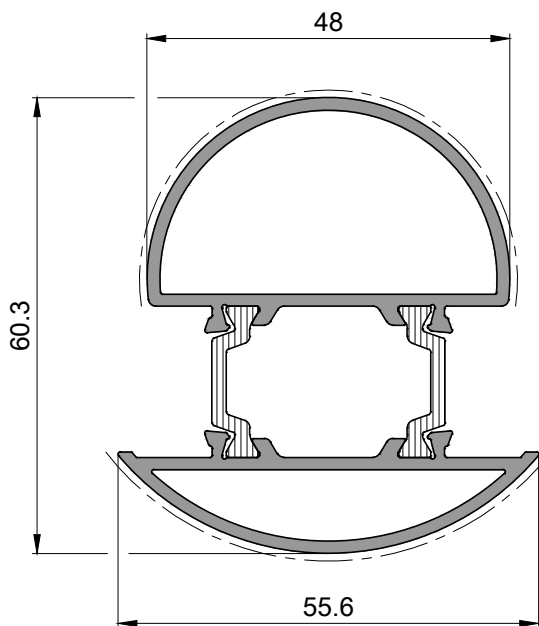
**P 1508**

Adaptör Profili / 2,475kg/mt  
Adepter Profile

		
	15314	15298

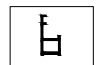
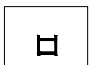
$I_x$    
50.15 cm<sup>4</sup>


$I_y$    
33.76 cm<sup>4</sup>




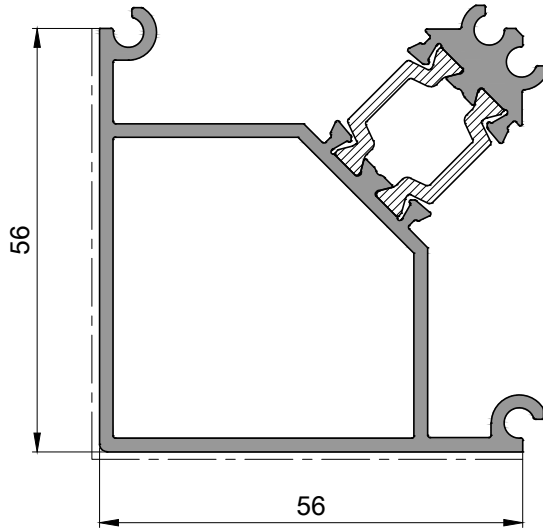
**P 1507**

Adaptör Profili / 1,330kg/mt  
Adepter Profile

		
	15313	15312

$I_x$    
12.99 cm<sup>4</sup>

$I_y$    
10.19 cm<sup>4</sup>



**P 1509**

Adaptör Profili / 1,495kg/mt

Adepter Profile



15315

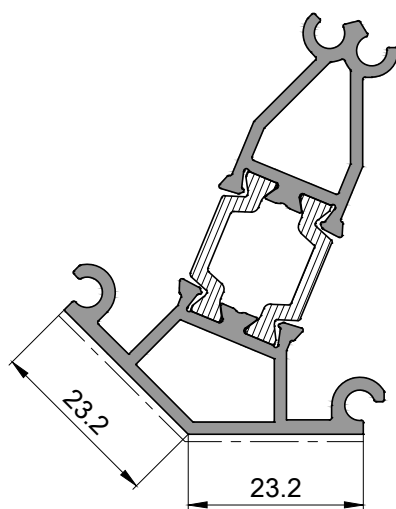
15300

$I_x$

18.54 cm<sup>4</sup>

$I_y$

18.92 cm<sup>4</sup>



**P 1510**

Adaptör Profili / 1,045kg/mt

Adepter Profile



15340

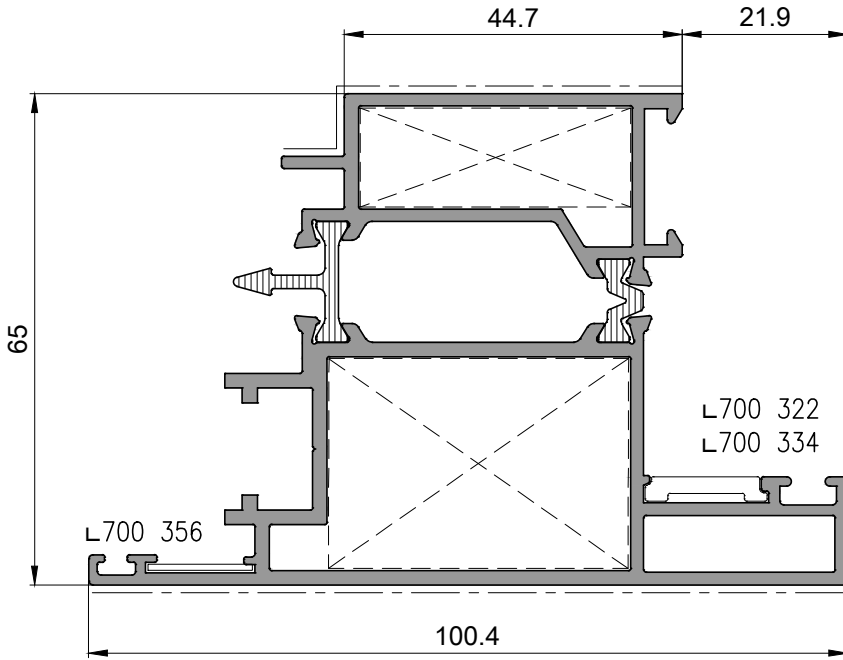
15302

$I_x$

9.13 cm<sup>4</sup>

$I_y$

3.14 cm<sup>4</sup>



**P 2133**

Kanat Profili / 2,260kg/mt  
Sash Profile

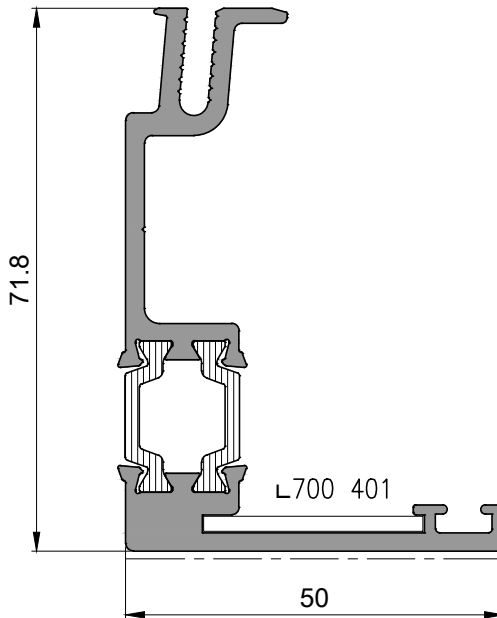
	17757	15303
	P1116 27.7mm	P1161 13.1mm
	700 322 700 334 700 356	-

$I_x$

39.42 cm<sup>4</sup>

$I_y$

38.49 cm<sup>4</sup>



**P 1250**

Körkasa Profili / 1,420kg/mt  
Subframe Profile

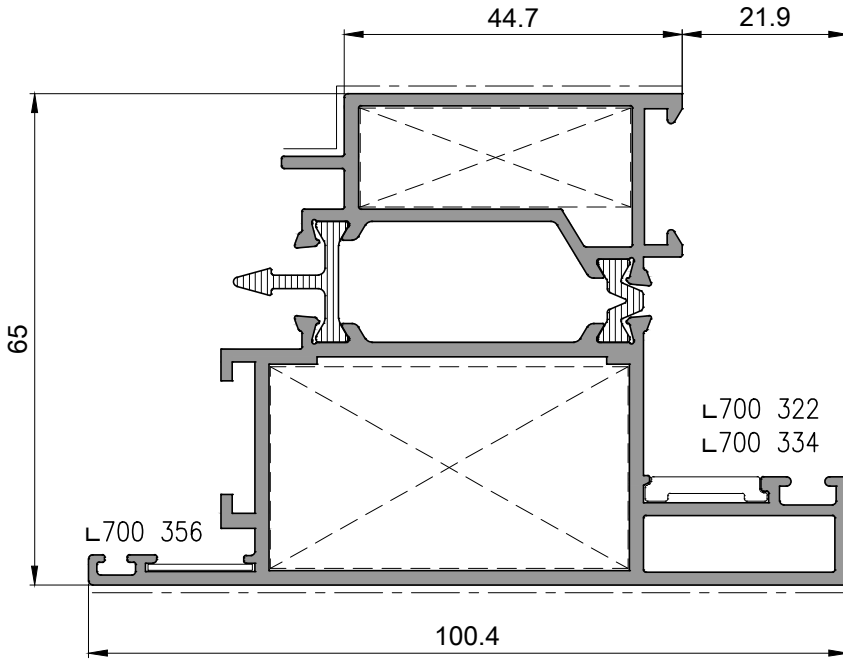
	13965	13966
	-	-
	700 401	-

$I_x$

27.54 cm<sup>4</sup>

$I_y$

6.34 cm<sup>4</sup>



**P 1511**

Kanat Profili / 2,230kg/mt

Sash Profile

	13739	15303
	P1187 26.7mm	P1161 13.1mm
	700 322 700 334 700 356	-

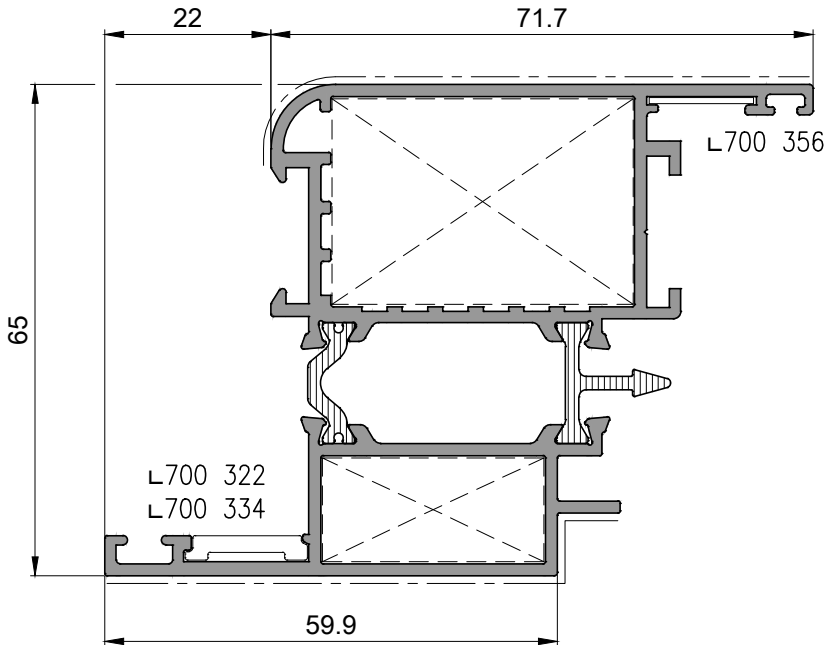
ix )  
40.41 cm4

ly )  
38.30 cm4

NOT :

45° Köşe Birleşimde 700 322 Alternatifi 700 334 Kullanılır.

700 334 is used as the alternative for 700 322 in 45° corner joint.



**P 1174**

Kanat Profili / 1,860kg/mt

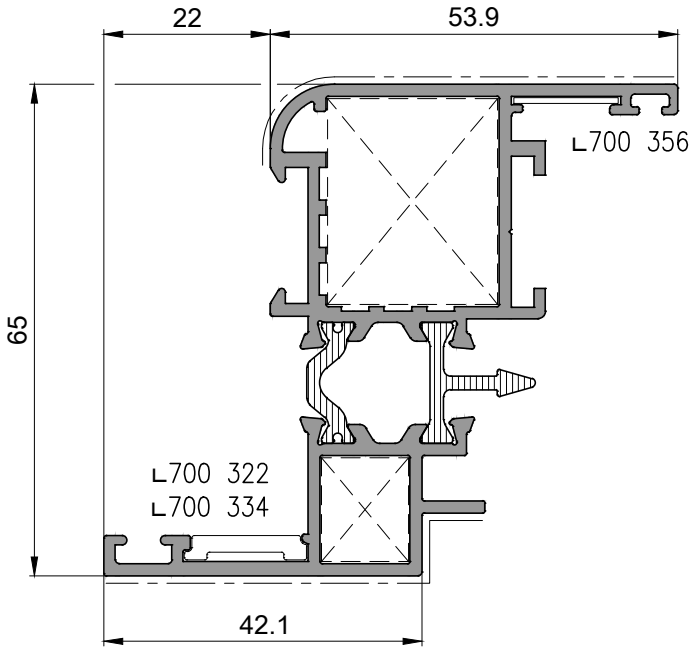
Sash Profile

	13696	13695
	P1162 13.7mm	P1116 27.2mm
	700 322 700 334	700 356

ix )  
37.91 cm4

ly )  
18.11 cm4





### P 1173

Kanat Profili / 1,535kg/mt

Sash Profile

	13694	13693
	P1163 13.7mm	P1118 27.2mm
	700 322 700 334	700 356

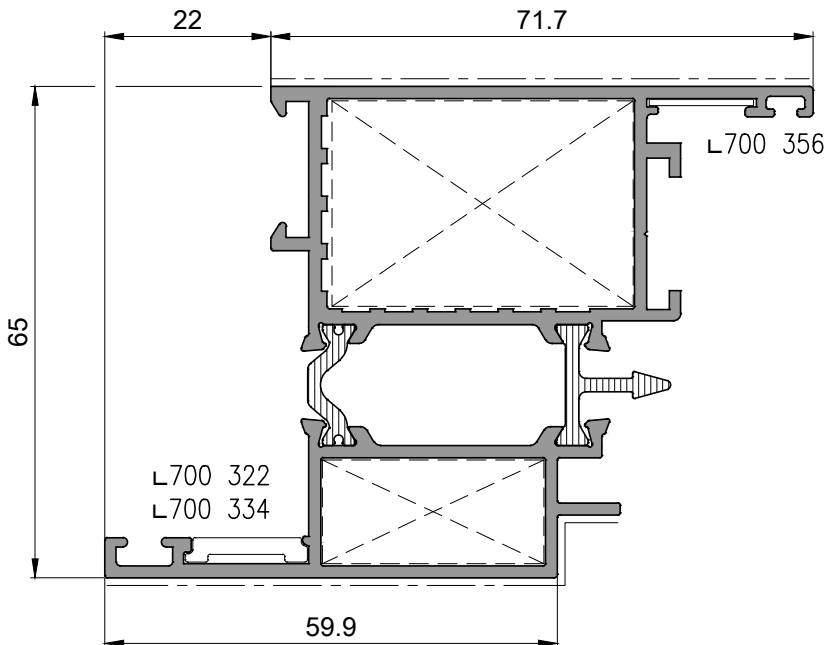
ix )  
27.42 cm4

ly )  
7.64 cm4

NOT :

45° Köşe Birleşimde 700 322 Alternatifi 700 334 Kullanılır.

700 334 is used as the alternative for 700 322 in 45° corner joint.



### P 1512

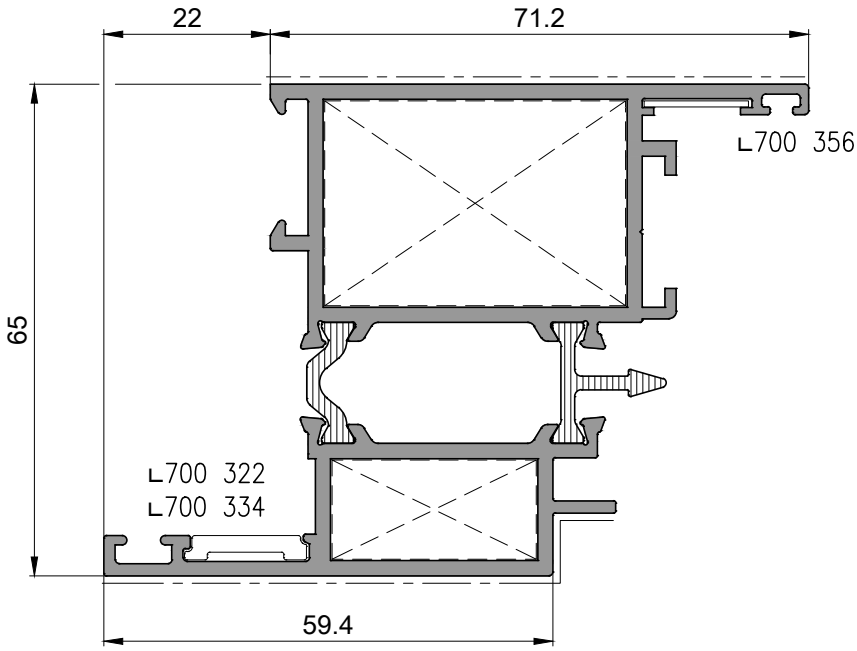
Kanat Profili / 1,860kg/mt

Sash Profile

	13696	15304
	P1162 13.7mm	P1116 27.2mm
	700 322 700 334	700 356

ix )  
37.92 cm4

ly )  
18.29 cm4



### P 2091

Kanat Profili / 2,070kg/mt

Sash Profile

	17540	17541
	P1070 13.0mm	P 1116 27.0mm
	700 322 700 334	700 356

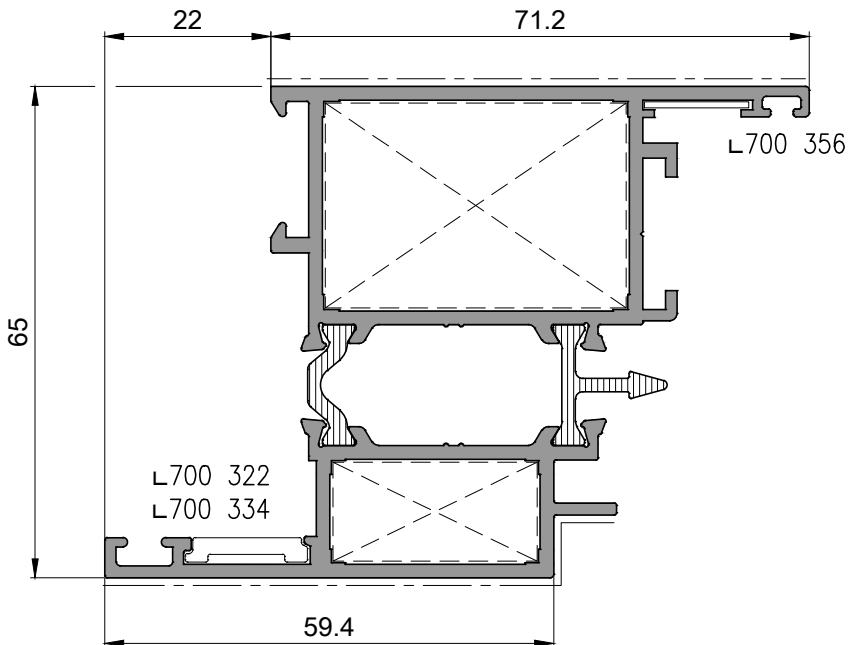
$I_x$  )  
41.62 cm<sup>4</sup>

$I_y$  )  
19.73 cm<sup>4</sup>

NOT :

45° Köşe Birleşimde 700 322 Alternatifi 700 334 Kullanılır.

700 334 is used as the alternative for 700 322 in 45° corner joint.



### P 2092

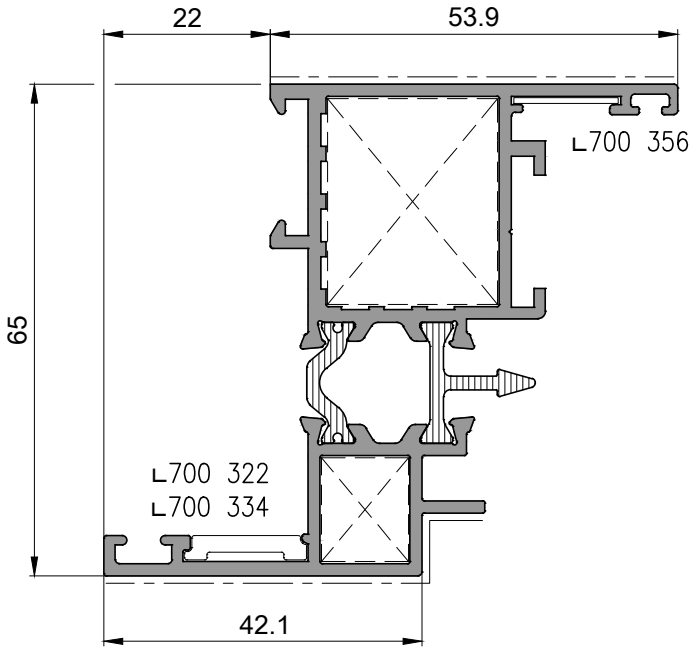
Kanat Profili / 1,960kg/mt

Sash Profile

	5856	5853
	P1070 13.0mm	P1116 27.0mm
	700 322 700 334	700 356

$I_x$  )  
39.75 cm<sup>4</sup>

$I_y$  )  
18.83 cm<sup>4</sup>



### P 1513

Kanat Profili / 1,540kg/mt

Sash Profile

	13694	15305
	P1163 13.7mm	P1118 27.2mm
	700 322 700 334	700 356

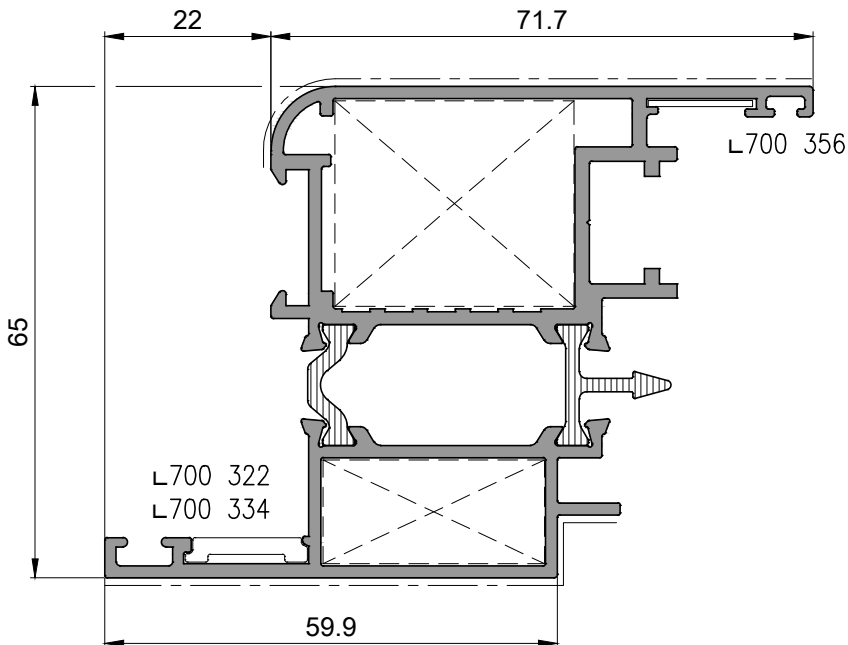
$I_x$  )  
27.69 cm<sup>4</sup>

$I_y$  )  
7.73 cm<sup>4</sup>

NOT :

45° Köşe Birleşimde 700 322 Alternatifi 700 334 Kullanılır.

700 334 is used as the alternative for 700 322 in 45° corner joint.



### P 2088

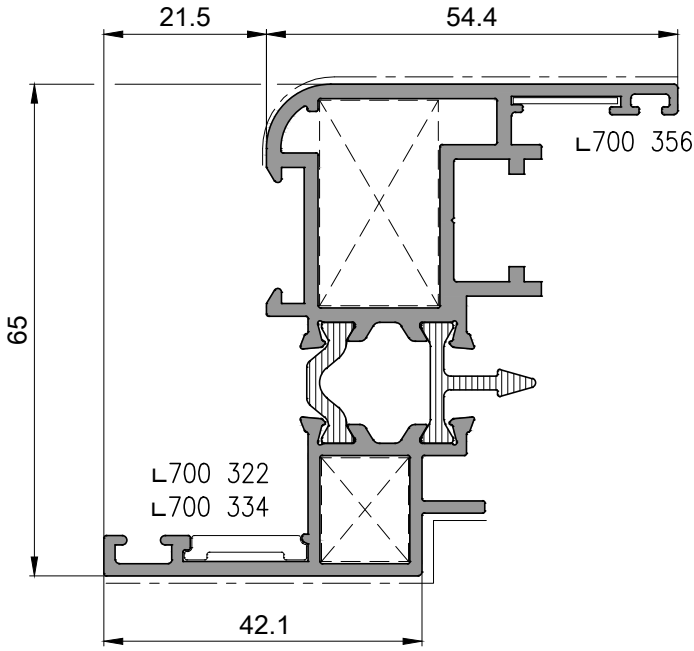
Kanat Profili / 1,960kg/mt

Sash Profile

	13696	17507
	P1162 13.7mm	P2093 27.2mm
	700 322 700 334	700 356

$I_x$  )  
39.07 cm<sup>4</sup>

$I_y$  )  
17.88 cm<sup>4</sup>



### P 2090

Kanat Profili / 1,655kg/mt

Sash Profile

	13694	17504
	P1163 13.7mm	P 1016 27.1mm
	700 322 700 334	700 356

$I_x$

30.21 cm<sup>4</sup>

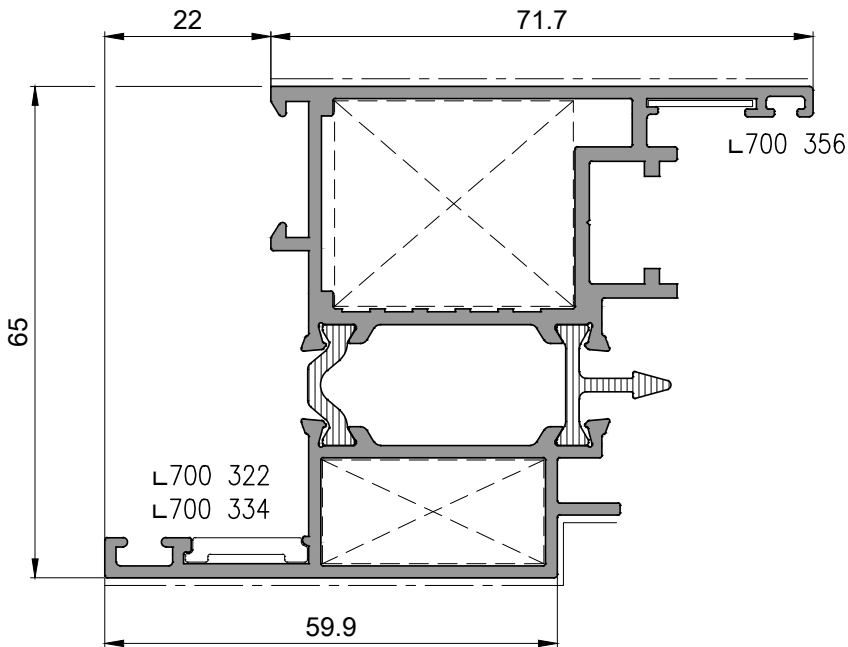
$I_y$

8.03 cm<sup>4</sup>

NOT :

45° Köşe Birleşimde 700 322 Alternatifi 700 334 Kullanılır.

700 334 is used as the alternative for 700 322 in 45° corner joint.



### P 2087

Kanat Profili / 1,950kg/mt

Sash Profile

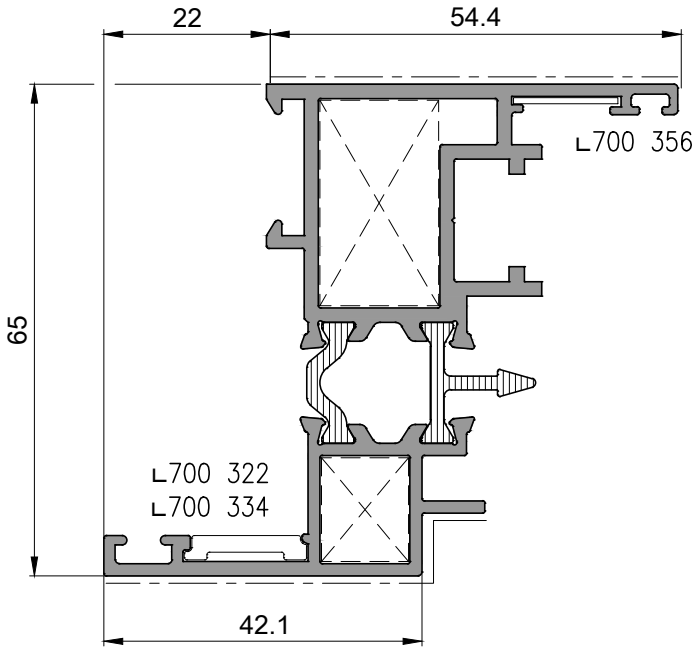
	13696	17506
	P1162 13.7mm	P2093 27.2mm
	700 322 700 334	700 356

$I_x$

39.09 cm<sup>4</sup>

$I_y$

17.98 cm<sup>4</sup>



### P 2089

Kanat Profili / 1,640kg/mt

Sash Profile

	13694	17505
	P1163 13.7mm	P1016 27.1mm
	700 322 700 334	700 356

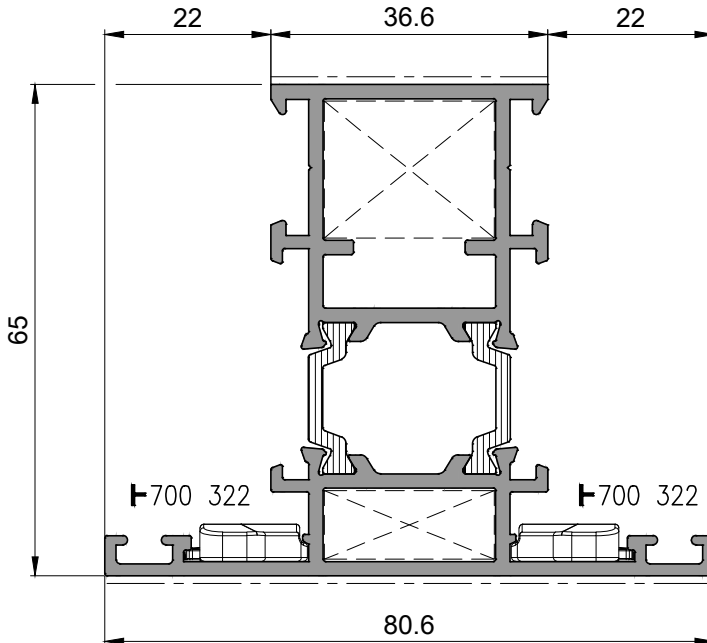
$I_x$  )  
28.82 cm<sup>4</sup>

$I_y$  )  
7.65 cm<sup>4</sup>

NOT :

45° Köşe Birleşimde 700 322 Alternatifi 700 334 Kullanılır.

700 334 is used as the alternative for 700 322 in 45° corner joint.



### P 1169

Kanat içi T Profil / 1,820kg/mt

Sash Profile

	13104	13101
	-	-
	700 322	-
	700 333	

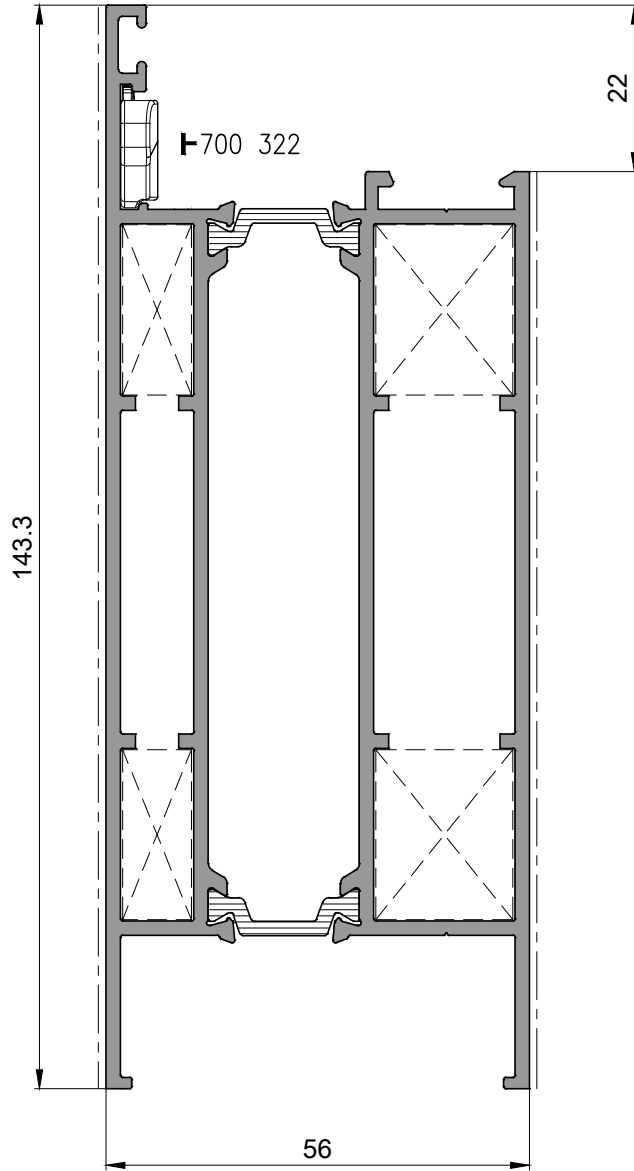
$I_x$  )  
28.13 cm<sup>4</sup>

$I_y$  )  
17.23 cm<sup>4</sup>

**P 1247**

Etek Profili / 3,105kg/mt

Sill Profile



	13934	13933
	-	-
	700 322	-
	700 333	

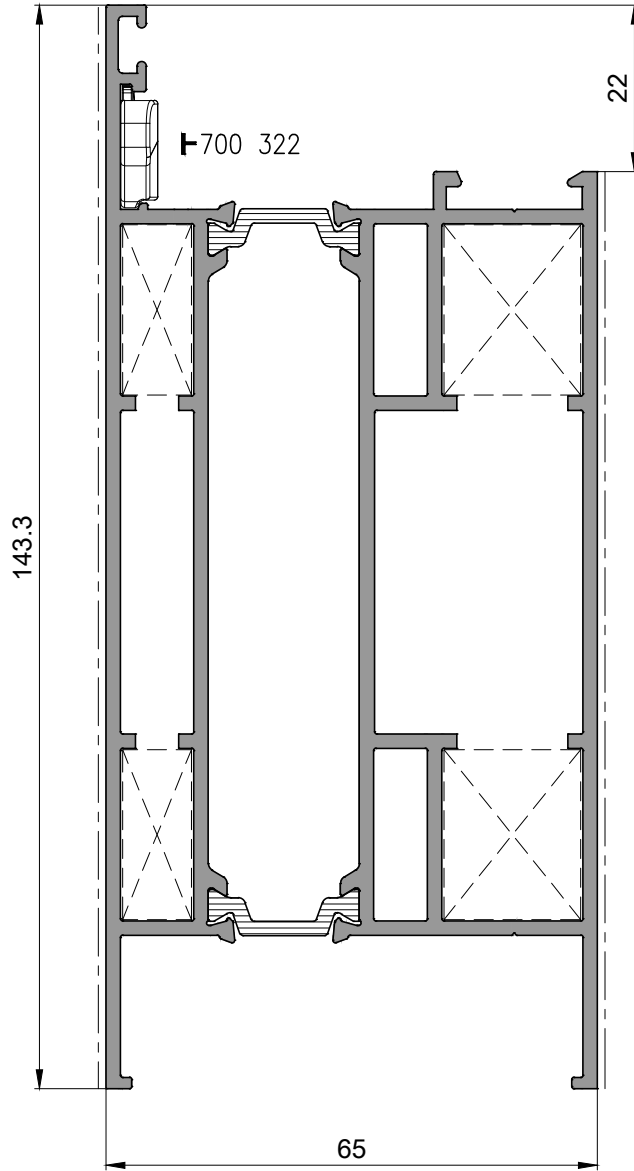
$I_x$  )  
40.35 cm<sup>4</sup>




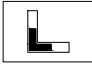

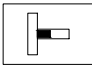
$I_y$  )  
153.42 cm<sup>4</sup>

**P 1248**

Etek Profili / 3,540kg/mt

Sill Profile



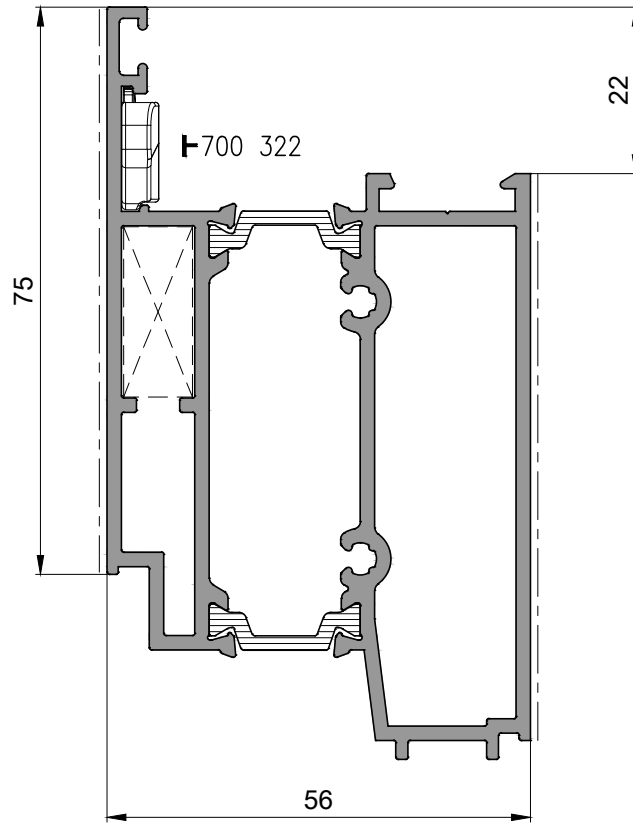
		
	13934	14005
	-	-
	700 322	-
	700 333	-

$I_x$  )  
57.46 cm<sup>4</sup>

$I_y$  )  
173.82 cm<sup>4</sup>

**P 1514**

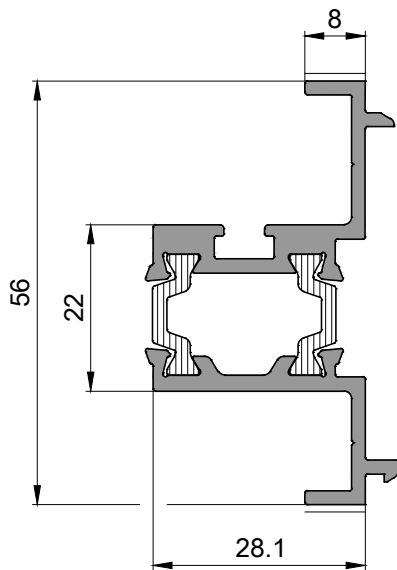
Etek Profili / 2,265kg/mt  
Sill Profile



	14211	14220
	-	-
	700 322	-
	700 333	

lx )  
22.36 cm<sup>4</sup>

ly )  
54.27 cm<sup>4</sup>



**P 1515**

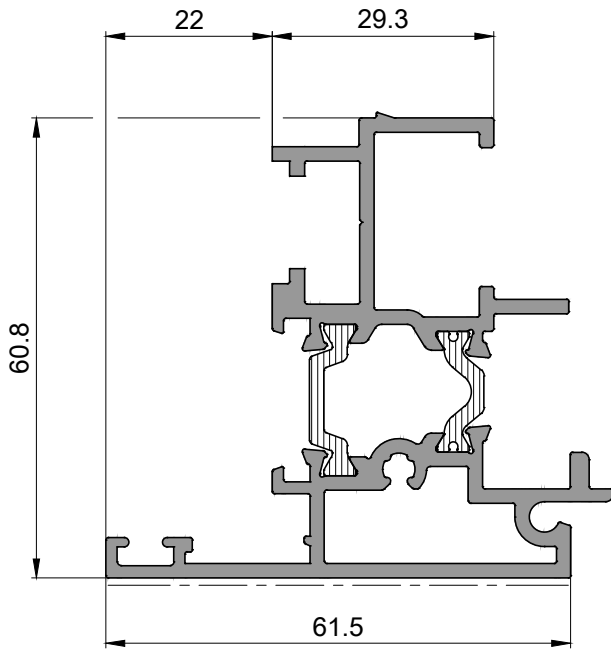
Adaptör Profili / 0,935kg/mt  
Adepter Profile

	13955	15349

lx )  
5.44 cm<sup>4</sup>

ly )  
2.69 cm<sup>4</sup>





**P 1172**

Adaptör Profili / 1,655kg/mt  
Adepter Profile

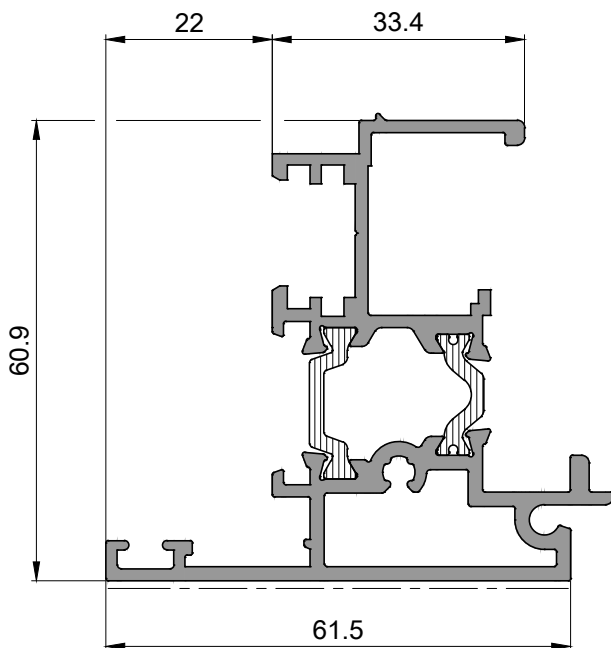
	13126	13125

$I_x$

18.23 cm<sup>4</sup>

$I_y$

11.95 cm<sup>4</sup>



**P 1175**

Adaptör Profili / 1,565kg/mt  
Adepter Profile

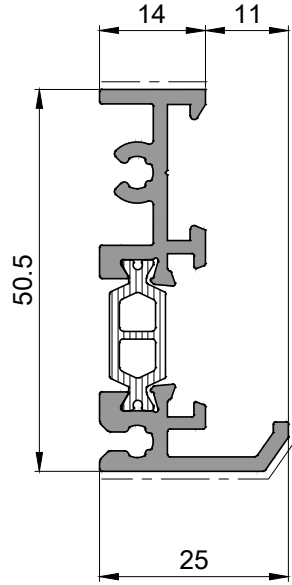
	13126	13697

$I_x$

17.80 cm<sup>4</sup>

$I_y$

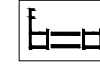
11.29 cm<sup>4</sup>



**P 1249**

Eşik Profili / 0,755kg/mt

Threshold Profile



14009

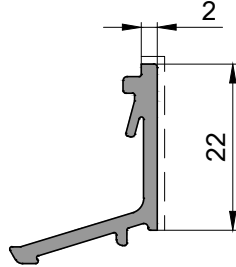
14008

lx  
6.71 cm<sup>4</sup>

ly  
0.69 cm<sup>4</sup>

**P 1496**

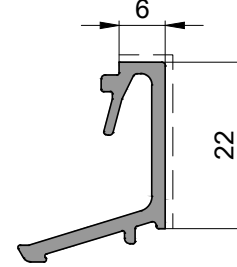
Çita Profili / 0,245kg/mt  
Glazing Bead Profile



Kalıp : 15308  
(die no)

**P 1495**

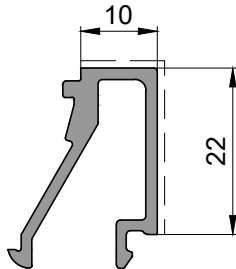
Çita Profili / 0,270kg/mt  
Glazing Bead Profile



Kalıp : 15307  
(die no)

**P 1494**

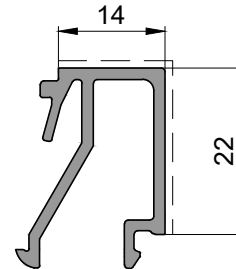
Çita Profili / 0,325kg/mt  
Glazing Bead Profile



Kalıp : 15306  
(die no)

**P 1176**

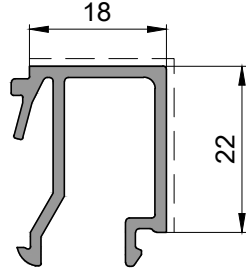
Çita Profili / 0,335kg/mt  
Glazing Bead Profile



Kalıp No : 13698  
(die no)

**P 1179**

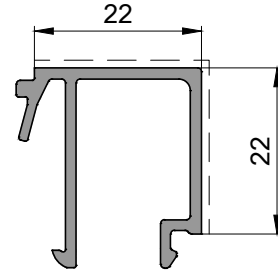
Çita Profili / 0,350kg/mt  
Glazing Bead Profile



Kalıp No : 13671  
(die no)

**P 2167**

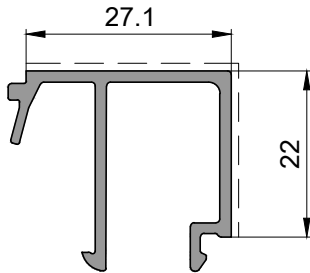
Çita Profili / 0,355kg/mt  
Glazing Bead Profile



Kalıp No : 17976  
(die no)

**P 1180**

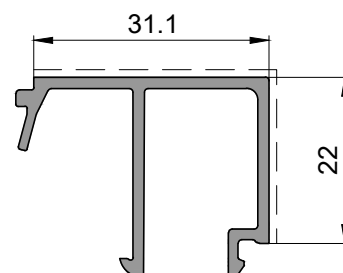
Çita Profili / 0,380kg/mt  
Glazing Bead Profile



Kalıp No : 13670  
(die no)

**P 1158**

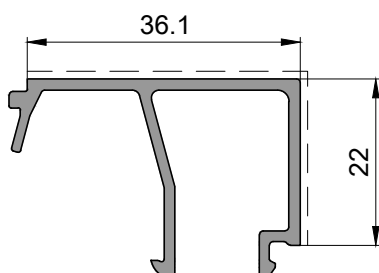
Çita Profili / 0,365kg/mt  
Glazing Bead Profile



Kalıp No : 13111  
(die no)

**P 1498**

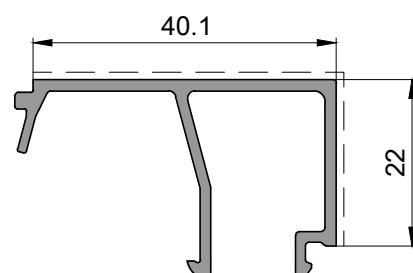
Çita Profili / 0,415kg/mt  
Glazing Bead Profile



Kalıp : 15310  
(die no)

**P 1497**

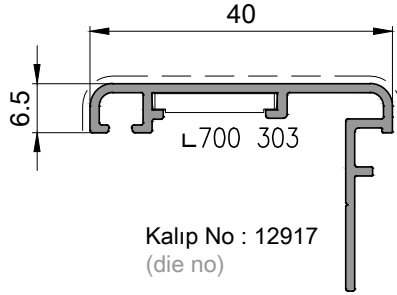
Çita Profili / 0,435kg/mt  
Glazing Bead Profile



Kalıp : 15309  
(die no)

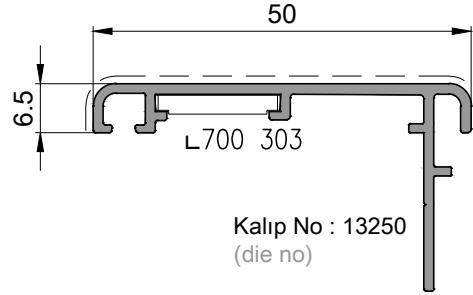
**P 1177**

Pervaz Profili / 0,300kg/mt  
Architrave Profile



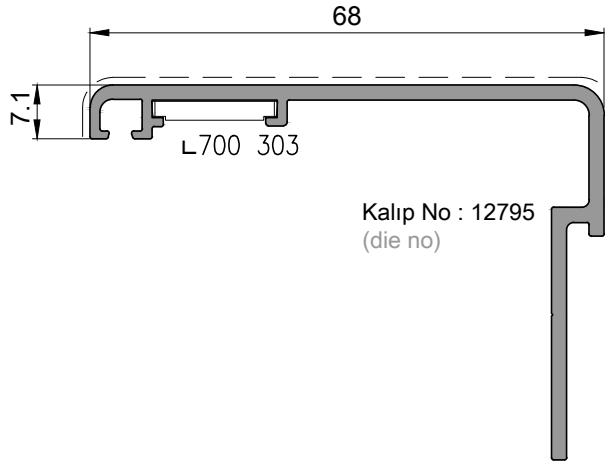
**P 1178**

Pervaz Profili / 0,375kg/mt  
Architrave Profile



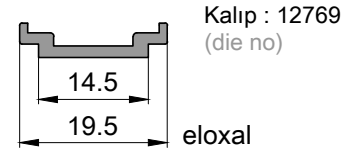
**P 1222**

Çıta Profili / 0,760kg/mt  
Architrave Profile



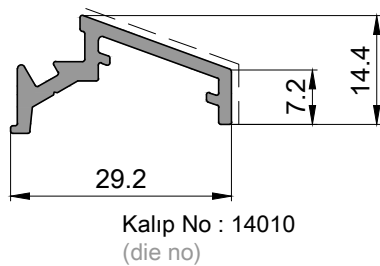
**P 1020**

Tij Profili / 0,105kg/mt  
Rod Profile



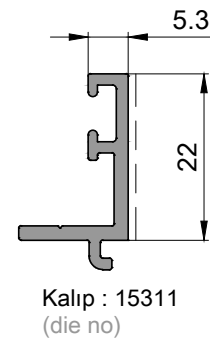
**P 1232**

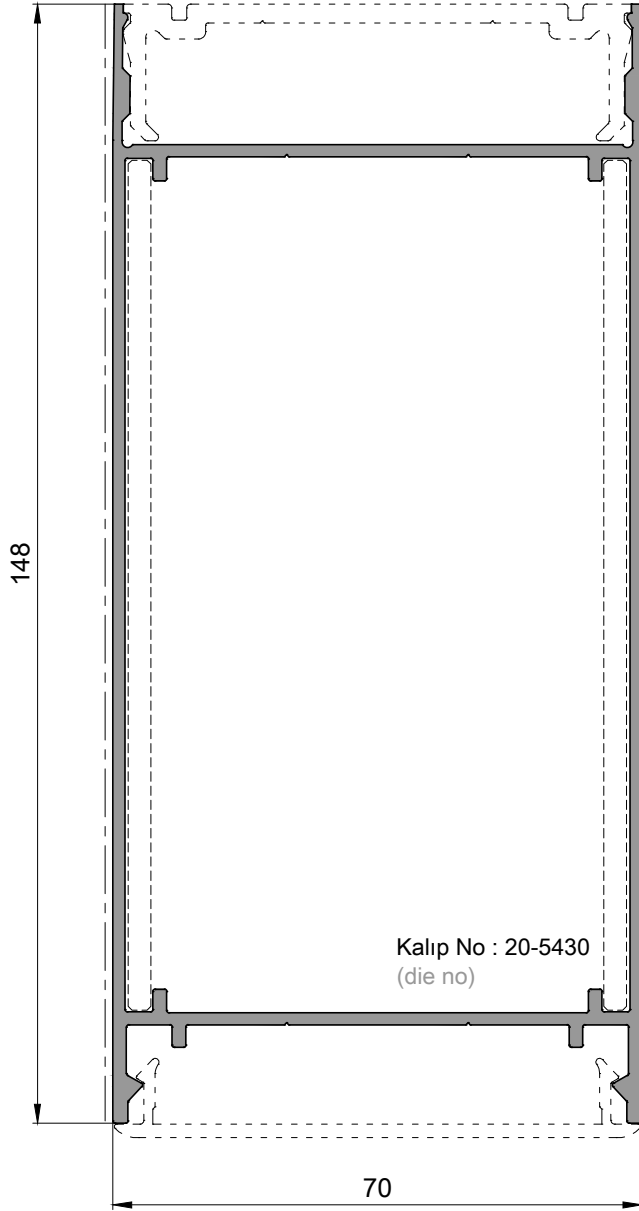
Damlalık Profili / 0,265kg/mt  
Dropper Profile



**P 1499**

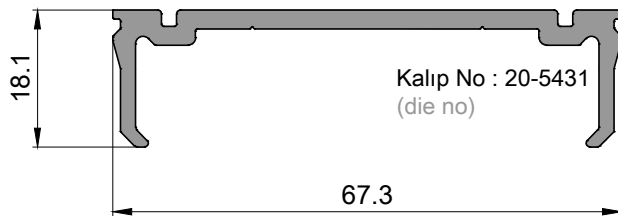
Çıta Profili / 0,235kg/mt  
Glazing Bead Profile





**P 1880**

Takviye Profili / 1,995kg/mt  
Reinforcement Profile

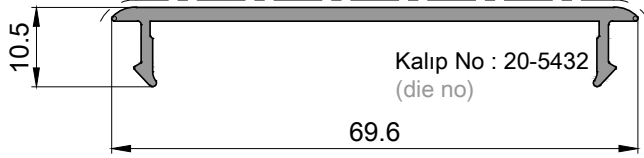


**P 1881**

U bağlantı profili / 0,695kg/mt  
U Connector Profile

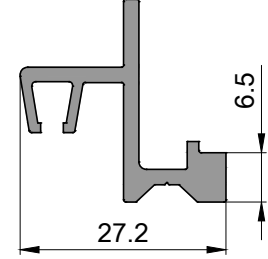
### P 1883

Kapak profili / 0,405kg/mt  
Cover Profile



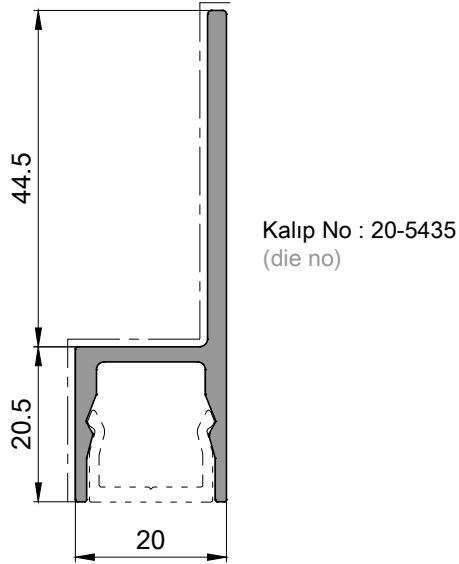
### P 1219

Fırça Profili / 0,405kg/mt  
Brush Profile



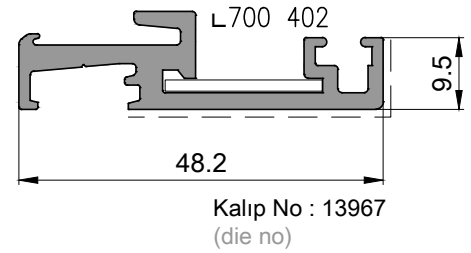
### P 1887

Pervaz profili / 0,615kg/mt  
Architrave Profile



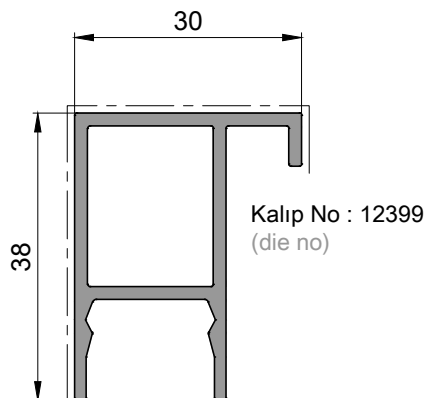
### P 1224

Kör Kasa Kapak Profili / 0,605kg/mt  
Glazing bead profile for subframe profile



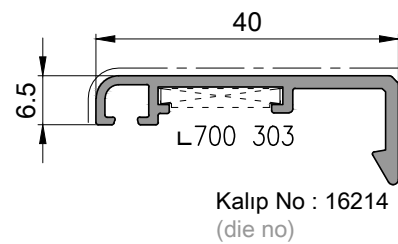
### P 1885

Pervaz profili / 0,575kg/mt  
Architrave Profile



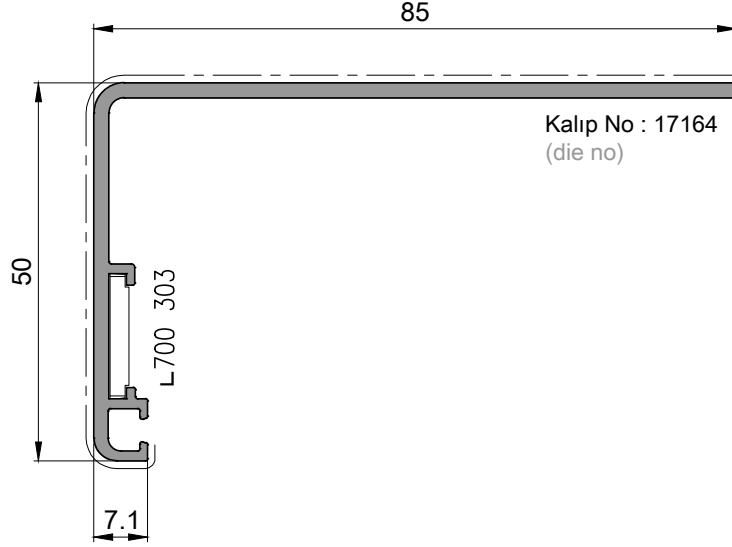
### P 1760

Pervaz Profili / 0,290kg/mt  
Architrave Profile



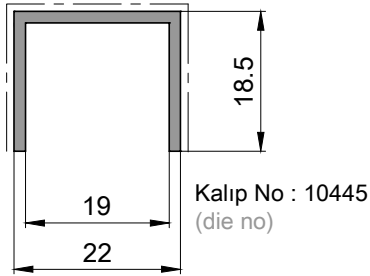
### P 2112

Pervaz profili / 0,775kg/mt  
Architrave Profile



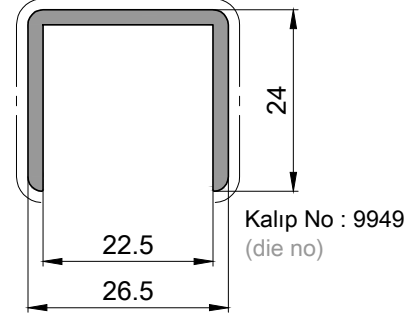
### P 1921

Küpeşte U Profili/ 0,230kg/mt  
Balustrade U Profile



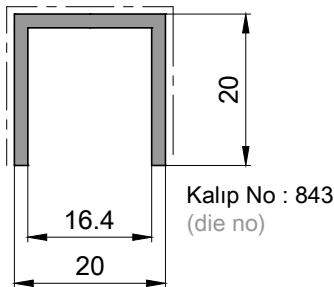
### P 1661

Küpeşte U Profili/ 0,375kg/mt  
Balustrade U Profile



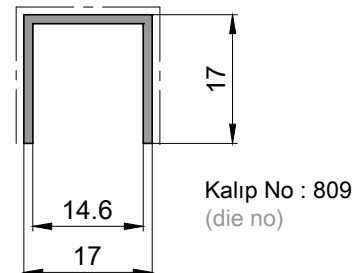
### P 1922

Küpeşte U Profili/ 0,275kg/mt  
Balustrade U Profile



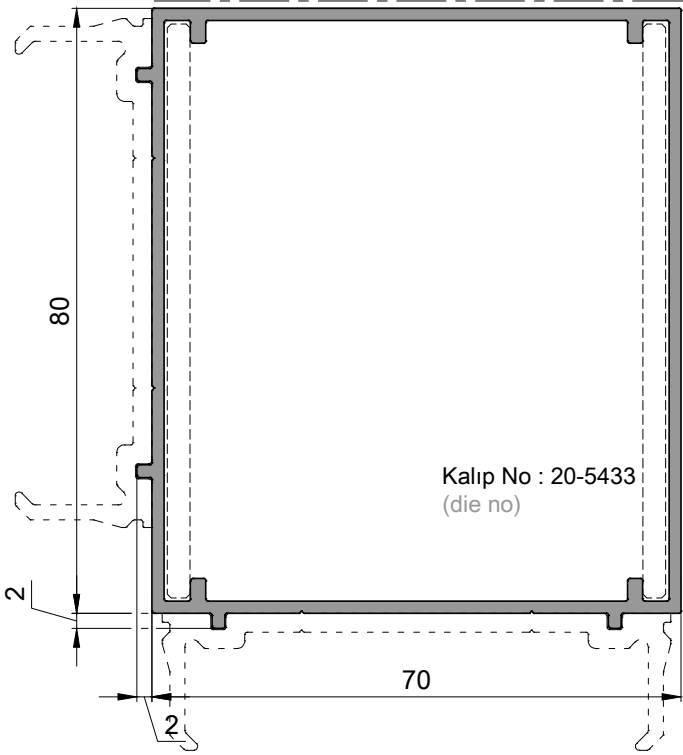
### P 1923

Küpeşte U Profili/ 0,160kg/mt  
Balustrade U Profile



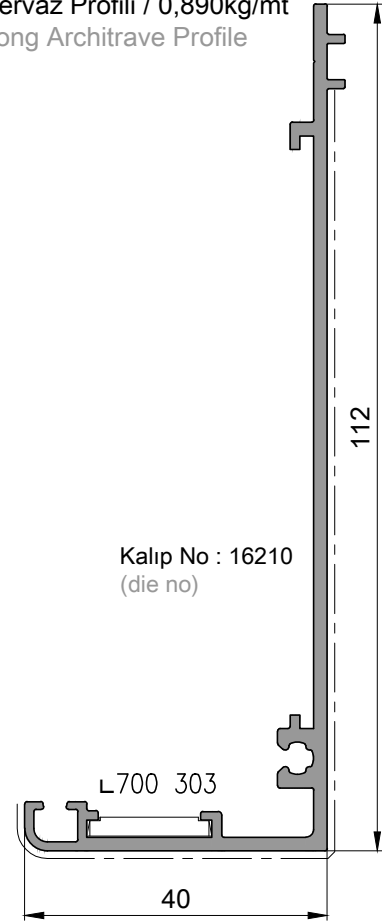
**P 1882**

Kutu Profil / 1,375kg/mt  
Rectangular Profile



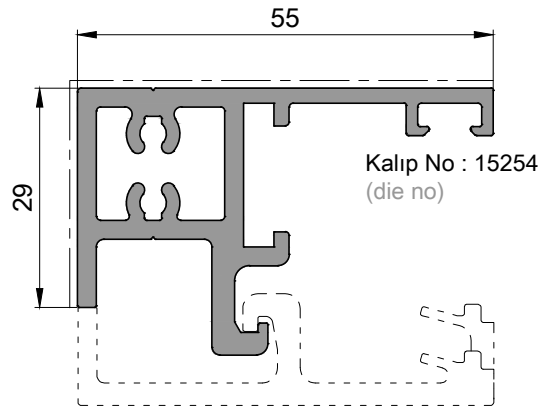
**P 1761**

Pervaz Profili / 0,890kg/mt  
Long Architrave Profile



**P 1918**

Korkuluk Profil / 1,150kg/mt  
Railing Profile



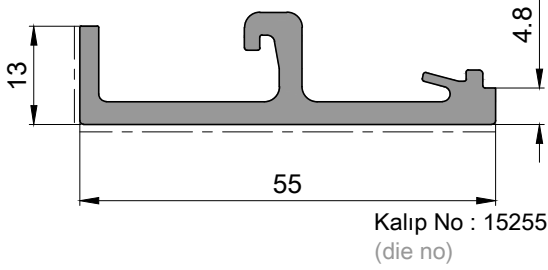
$I_x$   
41.52 cm<sup>4</sup>

$I_y$   
8.42 cm<sup>4</sup>



**P 1919**

Korkuluk Cam Çıta Profili / 0,730kg/mt  
Railing Glazing Bead Profile

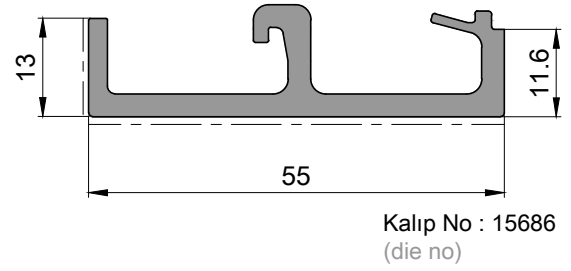


lx )  
7.18 cm<sup>4</sup>

ly )  
0.42 cm<sup>4</sup>

**P 1920**

Korkuluk Cam Çıta Profili / 0,775kg/mt  
Railing Glazing Bead Profile

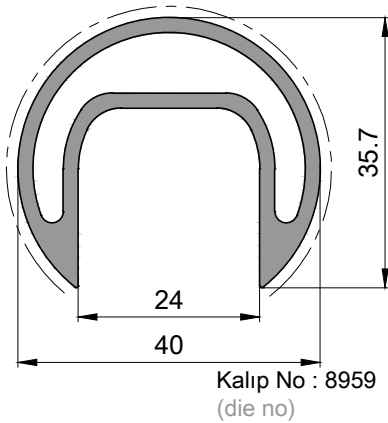


lx )  
8.37 cm<sup>4</sup>

ly )  
0.52 cm<sup>4</sup>

**P 1660**

Küpeşte Profili / 0,890kg/mt  
Balustrade Profile

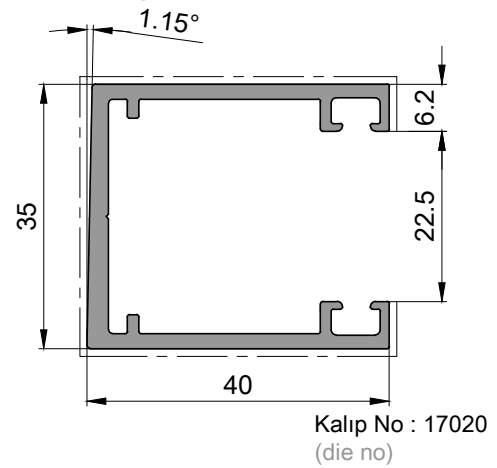


lx )  
5.85 cm<sup>4</sup>

ly )  
3.15 cm<sup>4</sup>

**P 1694**

Korkuluk profili / 0,730kg/mt  
Railing Profile

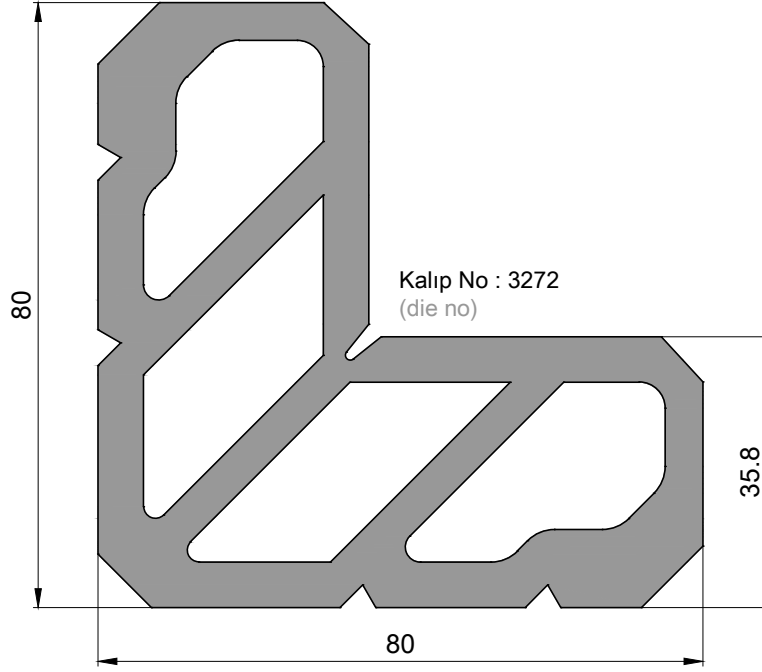


lx )  
5.53 cm<sup>4</sup>

ly )  
4.98 cm<sup>4</sup>

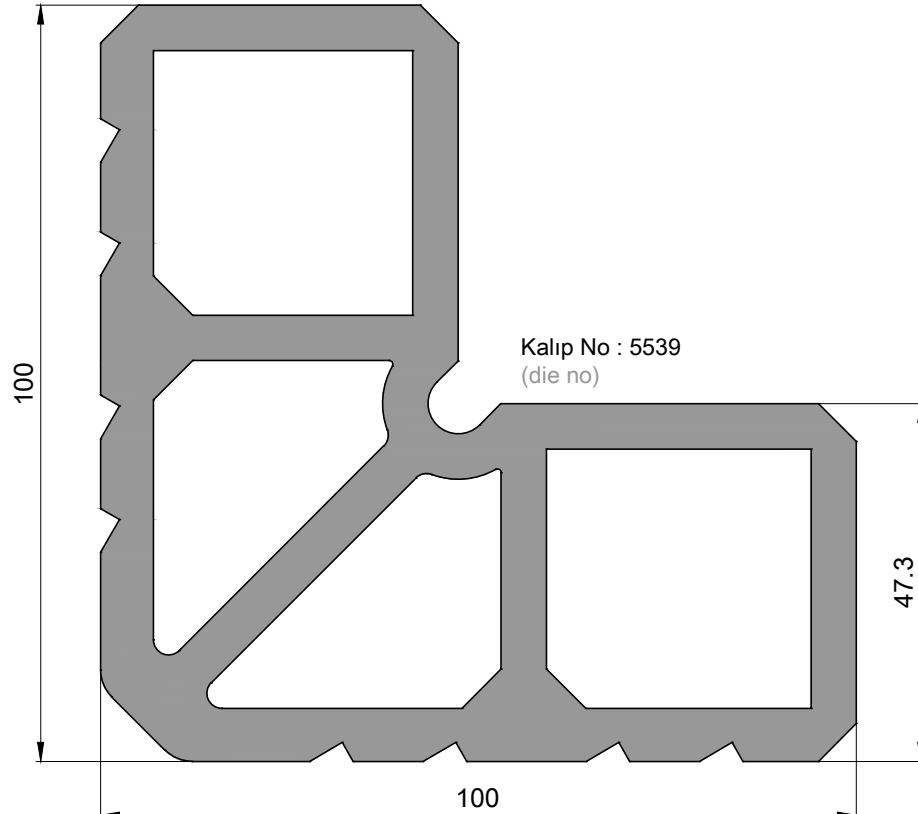
**P 1161**

Köşe Takoz Profili / 6,230kg/mt  
Corner Cleat Profile



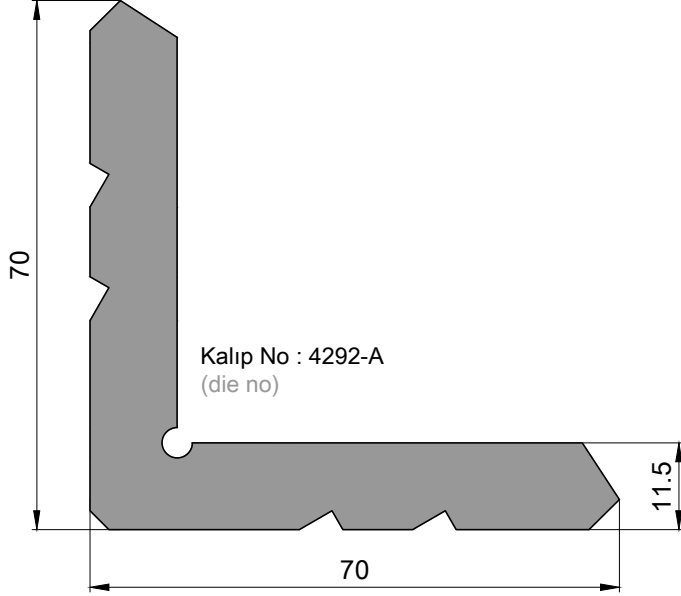
**P 1187**

Köşe Takoz Profili / 8,305kg/mt  
Corner Cleat Profile



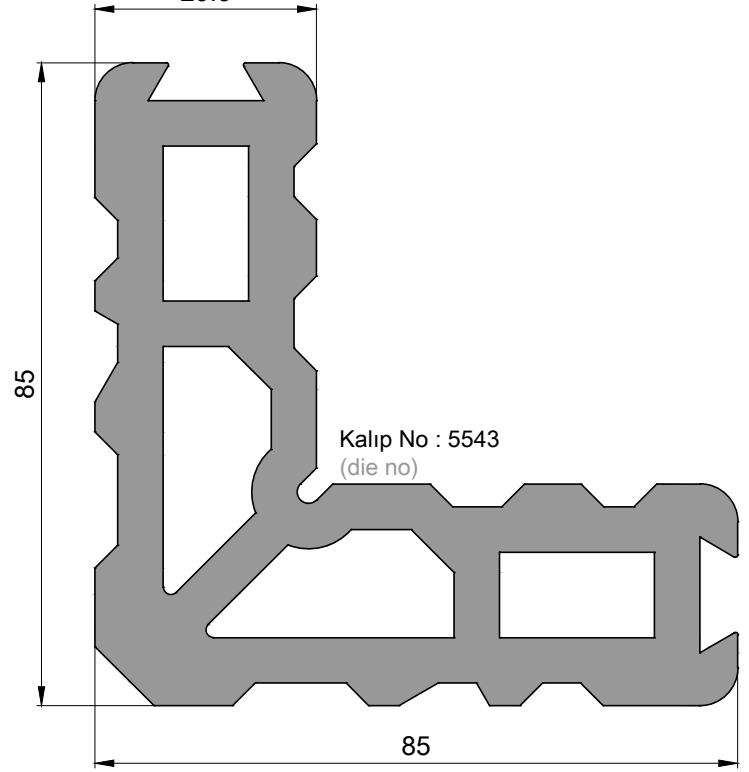
**P 1163**

Köşe Takoz Profili / 3,750kg/mt  
Corner Cleat Profile



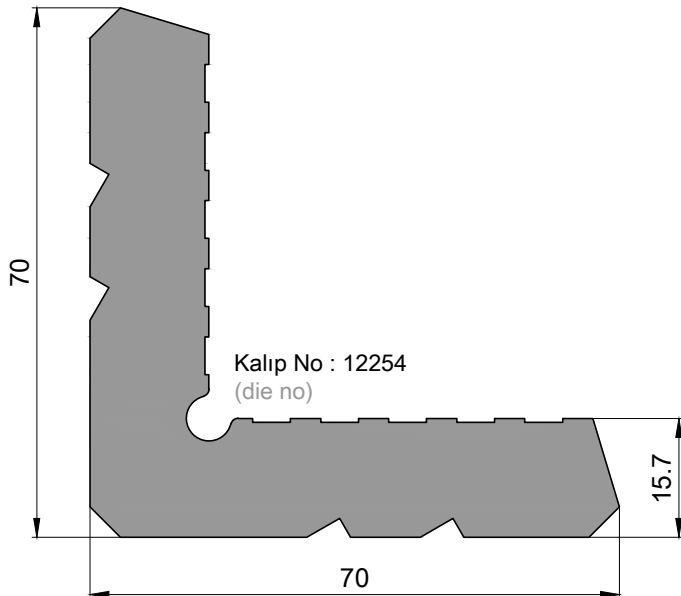
**P 1162**

Köşe Takoz Profili / 6,705kg/mt  
Corner Cleat Profile  
29.3



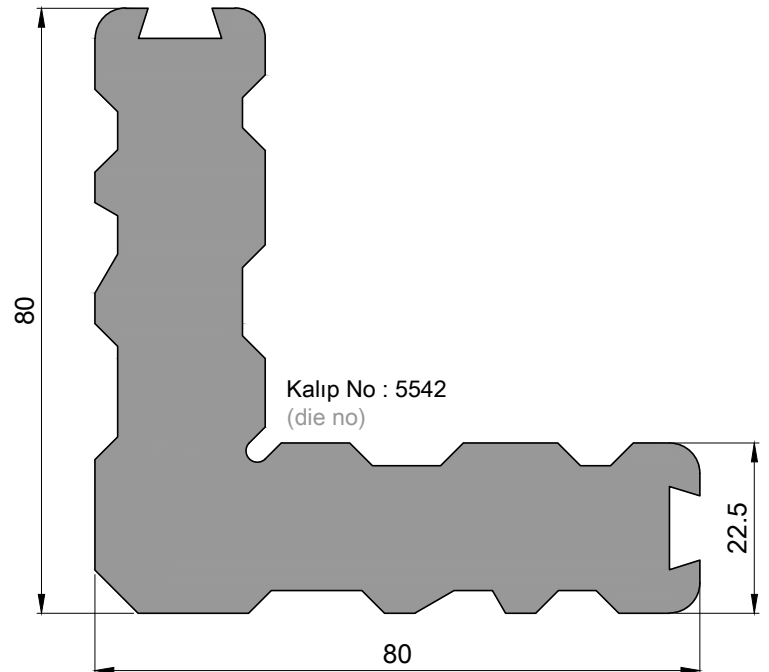
**P 1016**

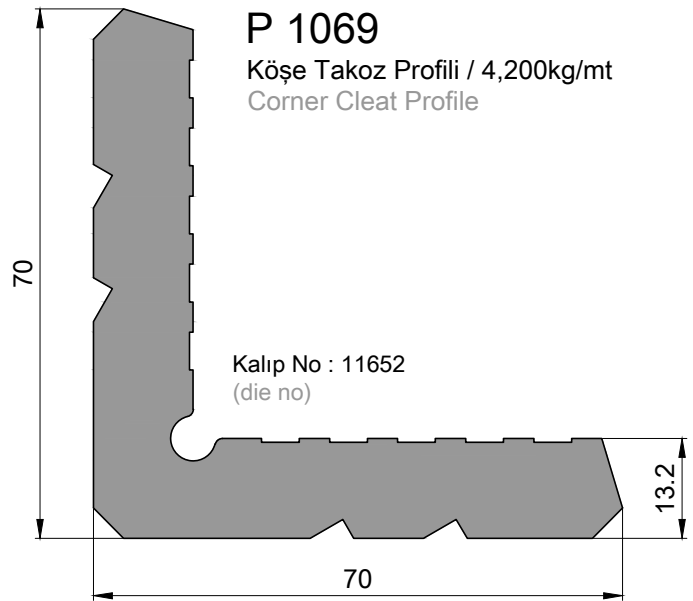
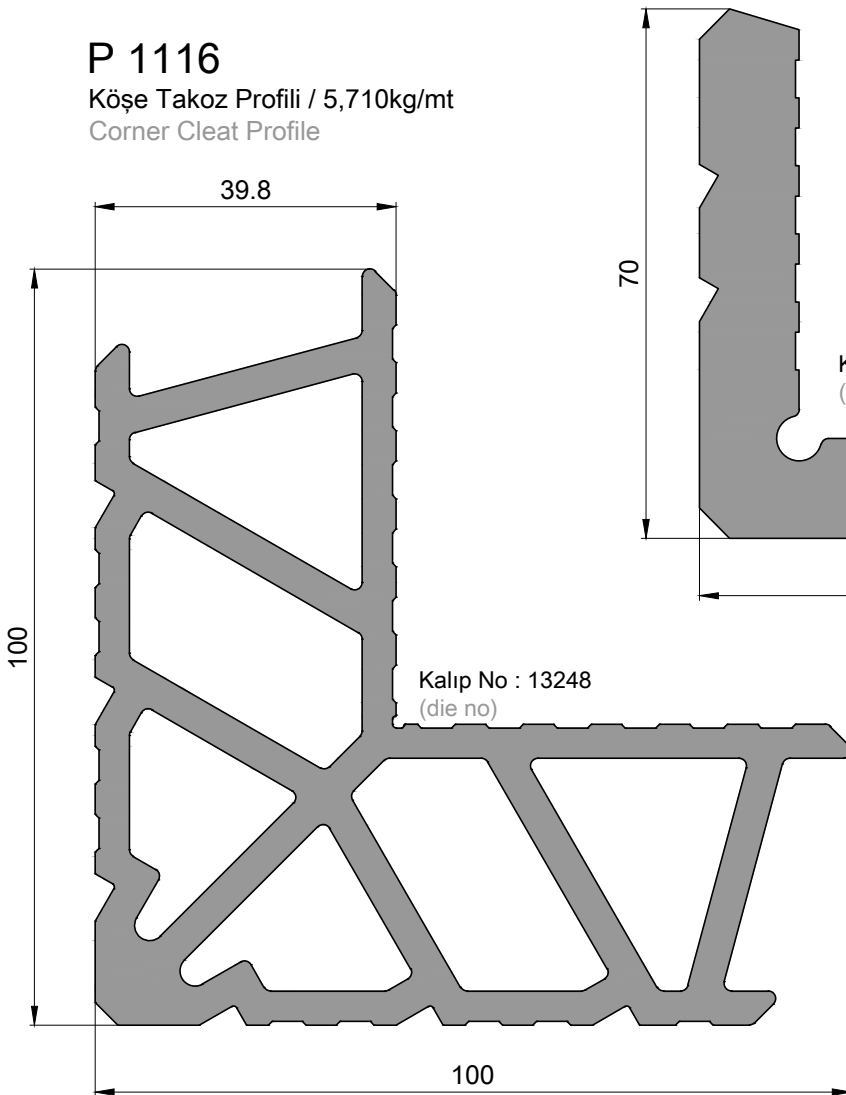
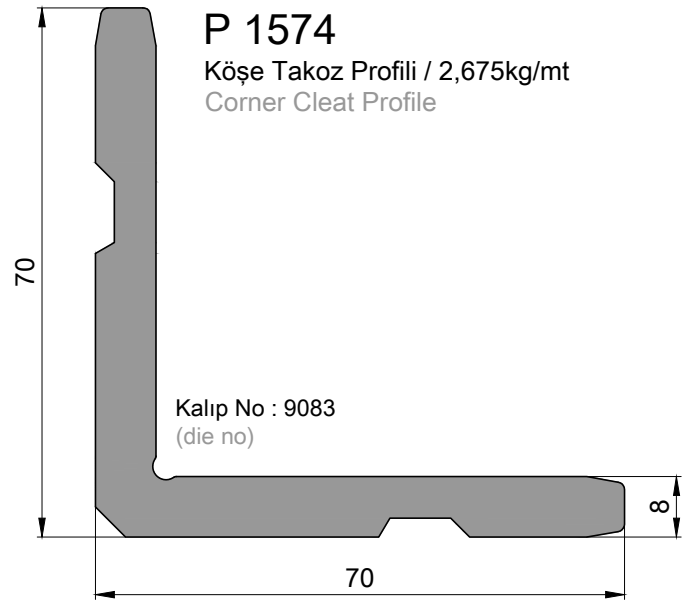
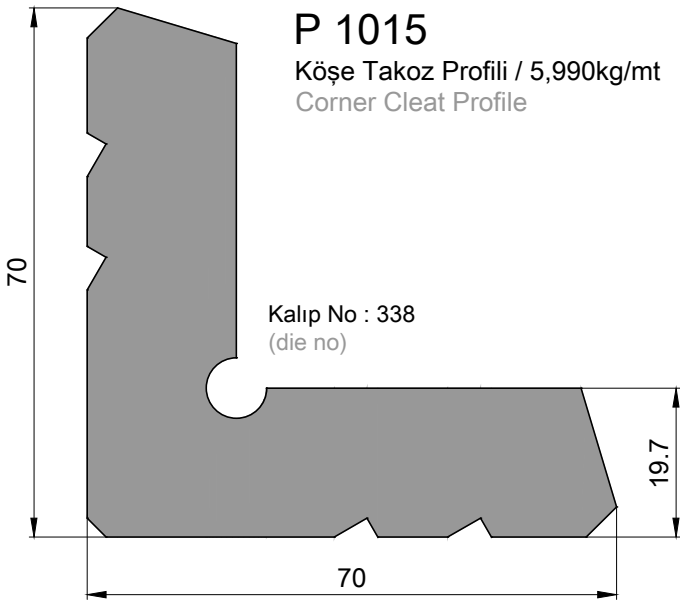
Köşe Takoz Profili / 4,910kg/mt  
Corner Cleat Profile



**P 1118**

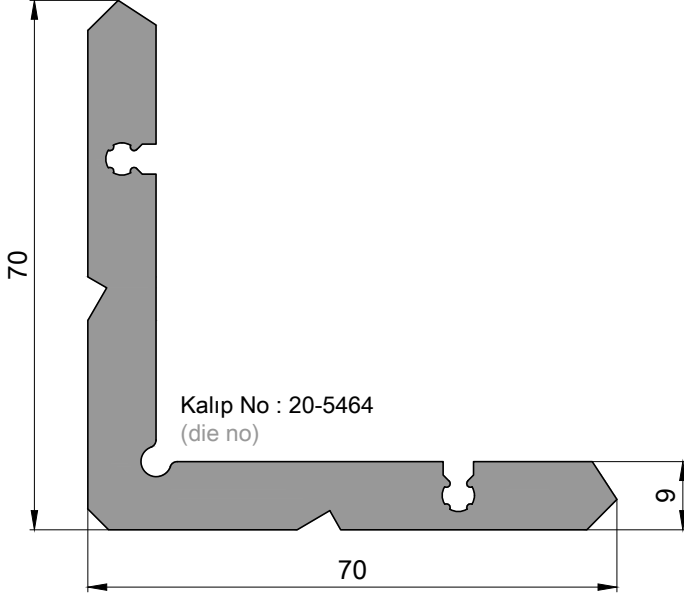
Köşe Takoz Profili / 7,285kg/mt  
Corner Cleat Profile





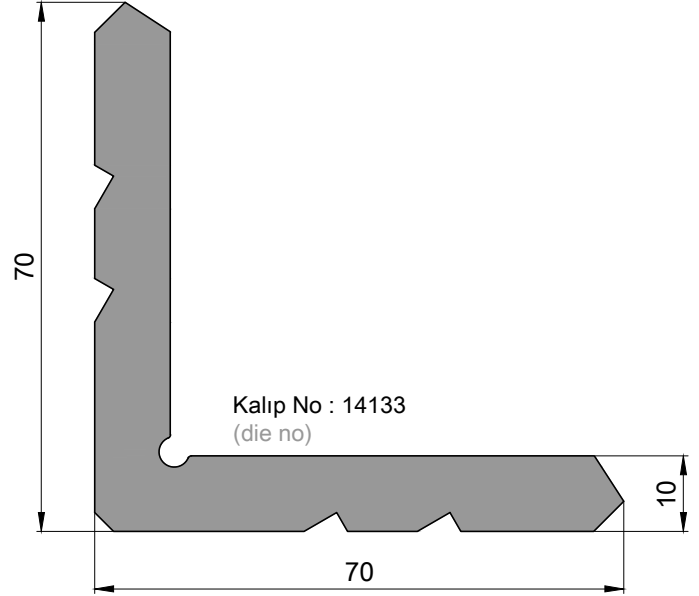
**P 1888**

Köşe Takoz profili / 2,910kg/mt  
Corner Cleat Profile



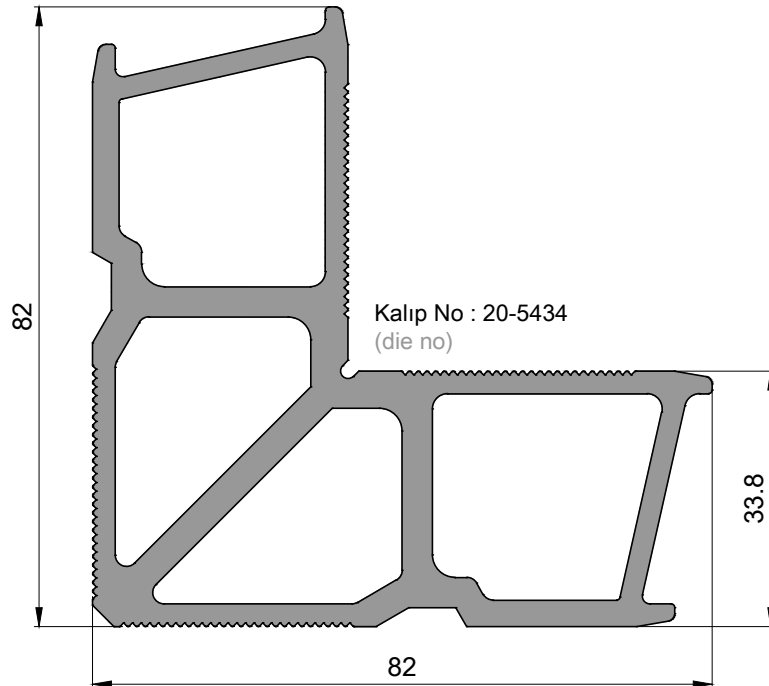
**P 1288**

Köşe Takoz Profili / 3,310kg/mt  
Corner Cleat Profile



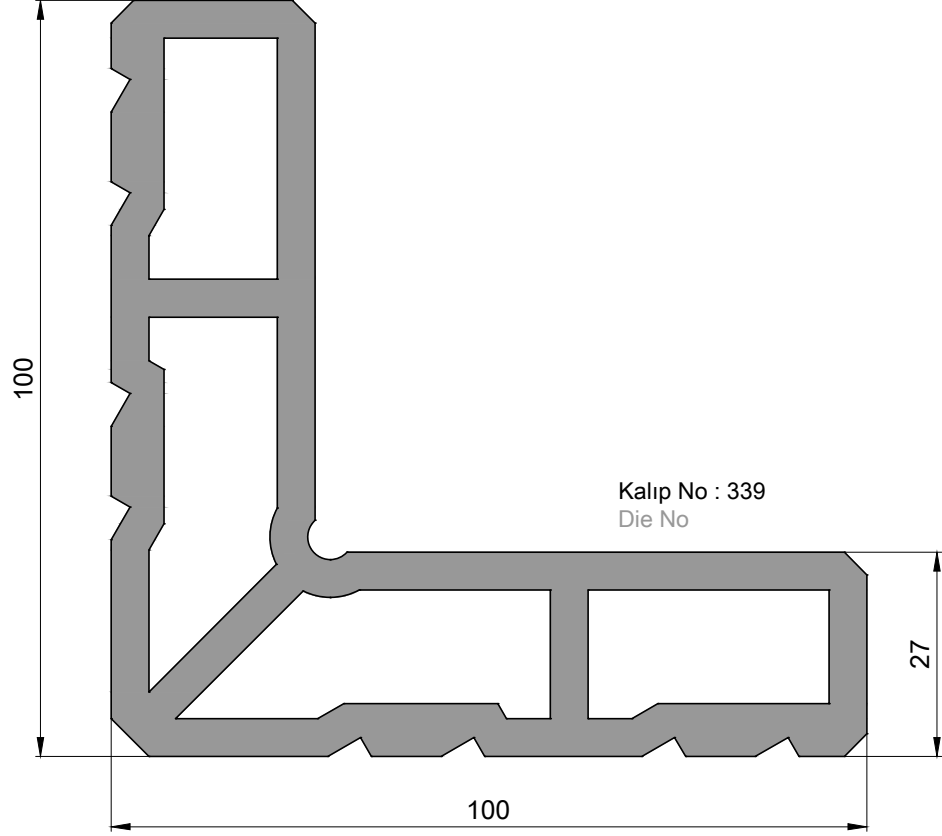
**P 1879**

Köşe Takoz profili / 3,630kg/mt  
Corner Cleat Profile



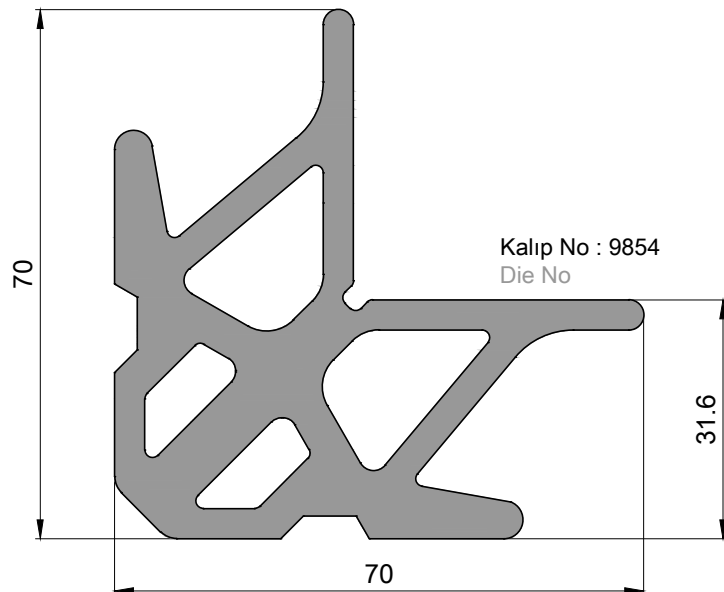
**P 1070**

Köşe Takoz profili / 6,220kg/mt  
Corner Cleat Profile



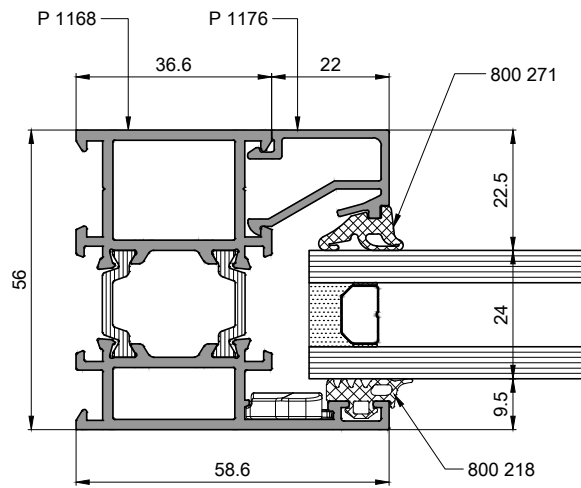
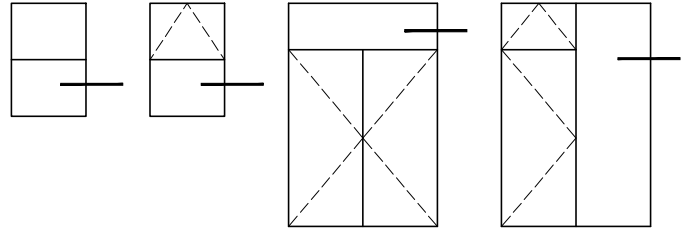
**P 2093**

Köşe Takoz profili / 4,002kg/mt  
Corner Cleat Profile

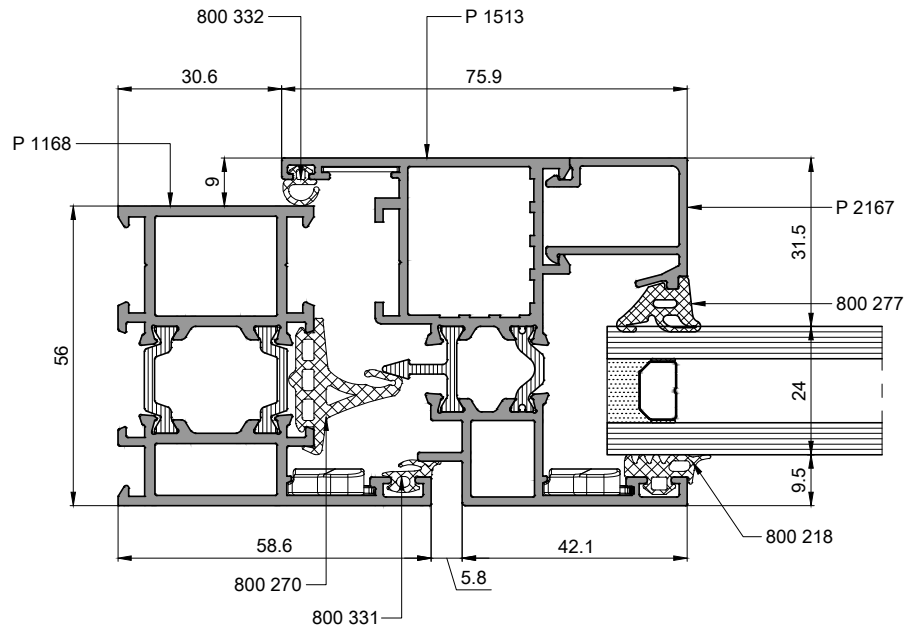
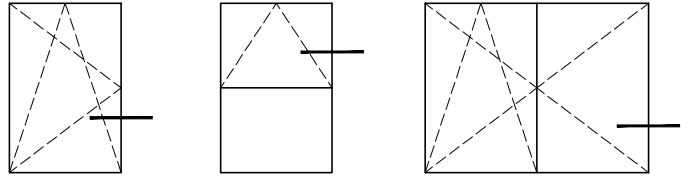


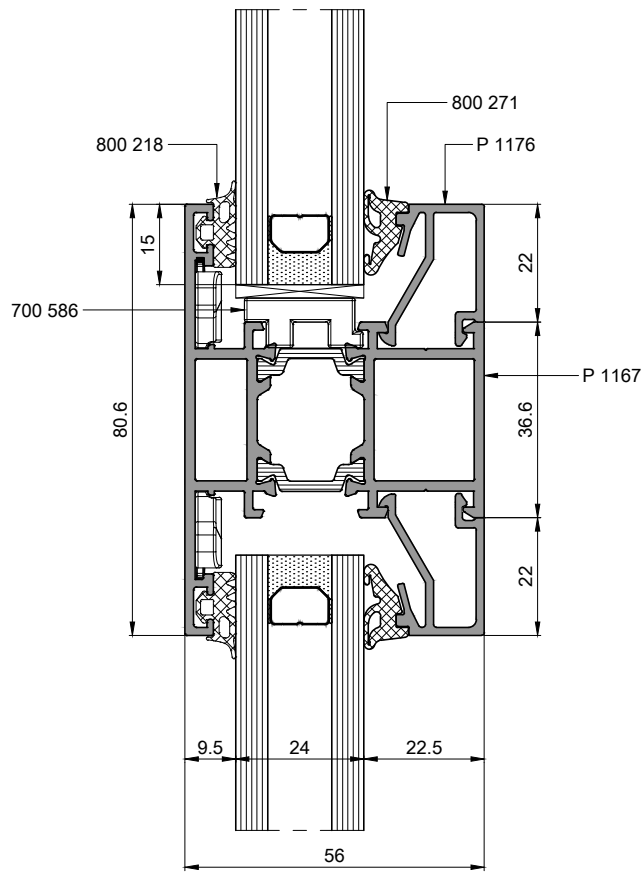
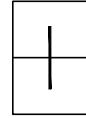
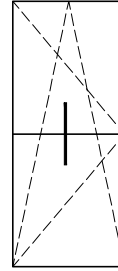
**BASIC 56**  
**KAPI ve PENCERE SİSTEMİ**  
**DOOR and WINDOW SYSTEM**

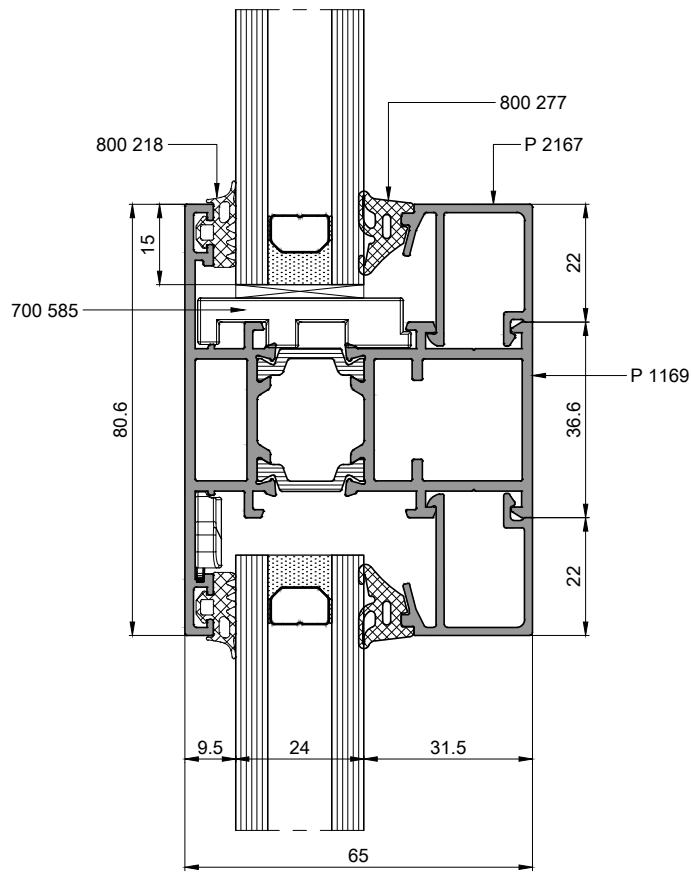
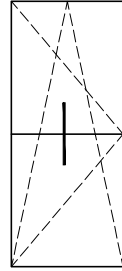
**TİJ KANALLI KANAT**  
**PRENSİP SİSTEM DETAYLARI**  
**EURO CHANNEL PRINCIPAL SECTIONS**

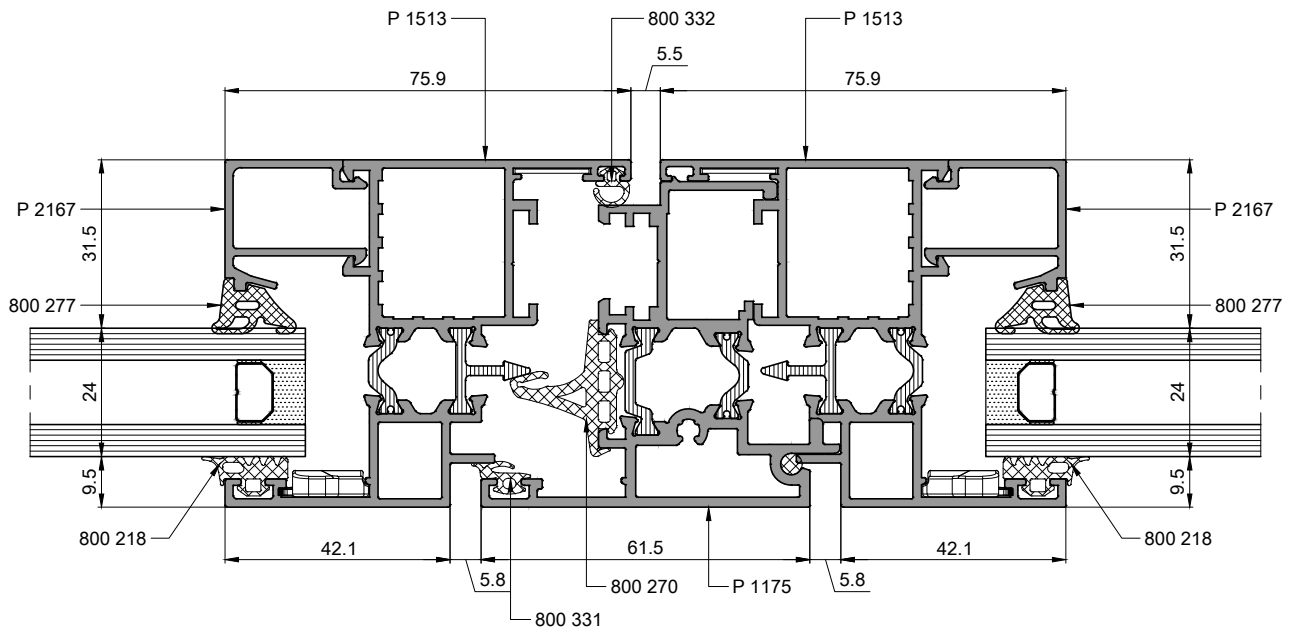
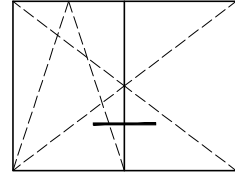


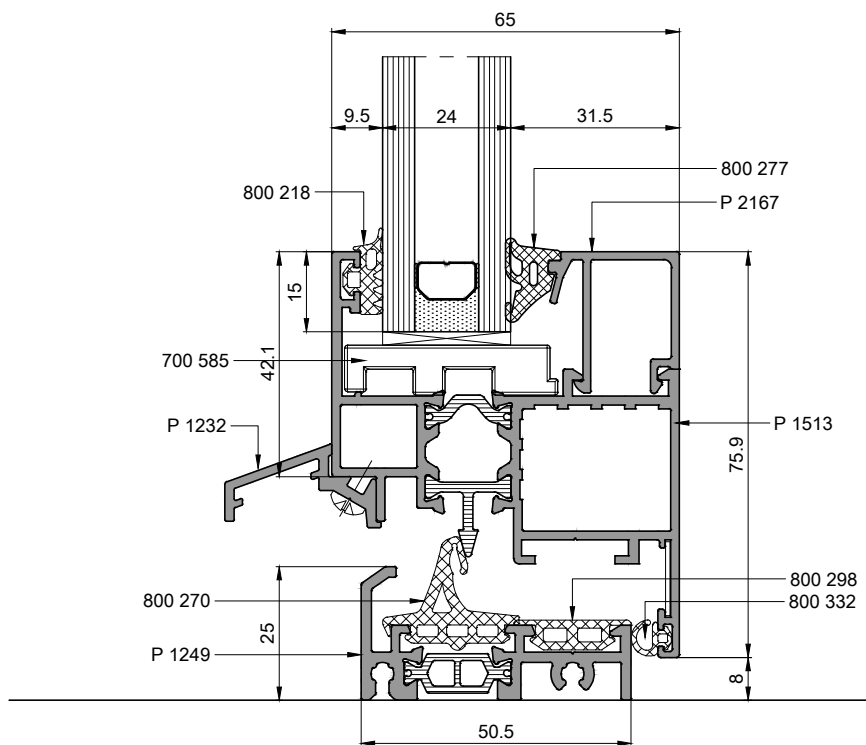
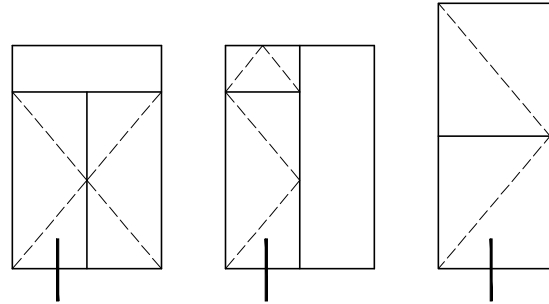


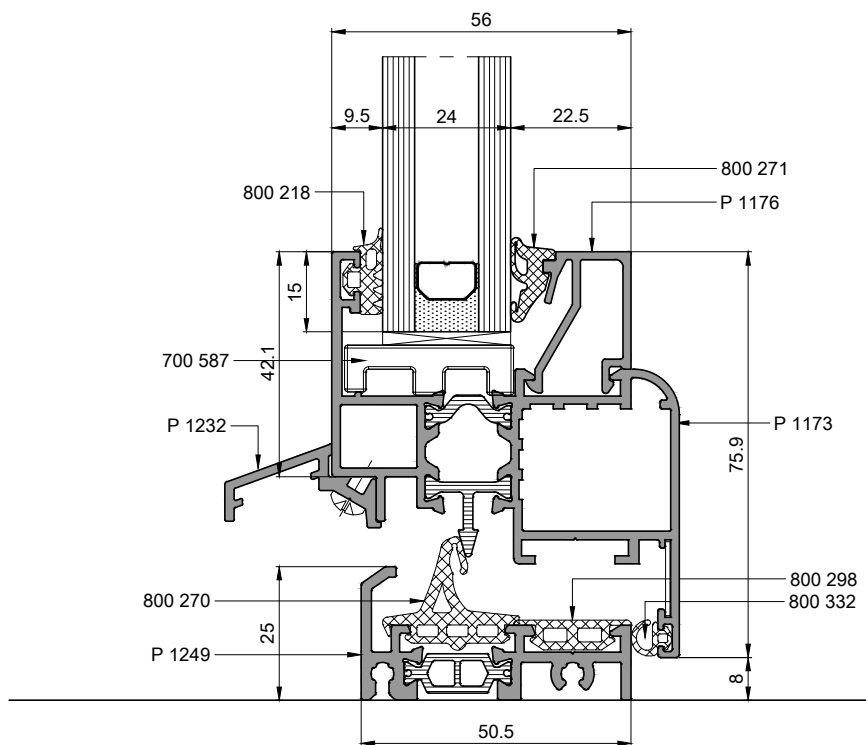
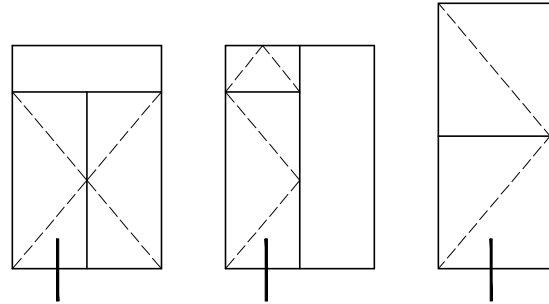


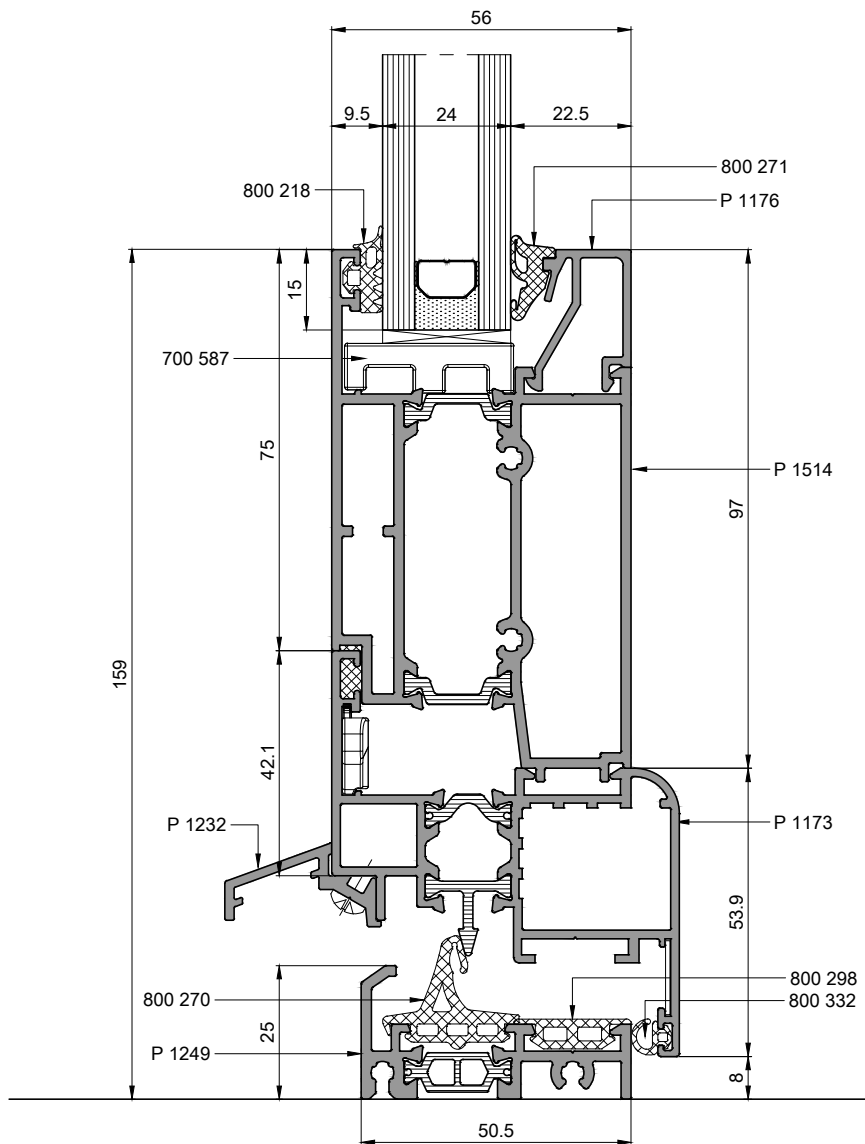
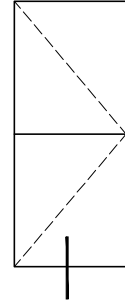
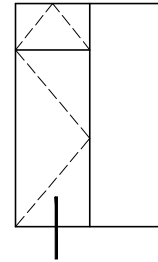
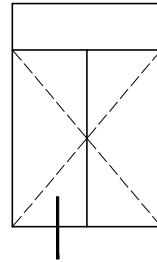


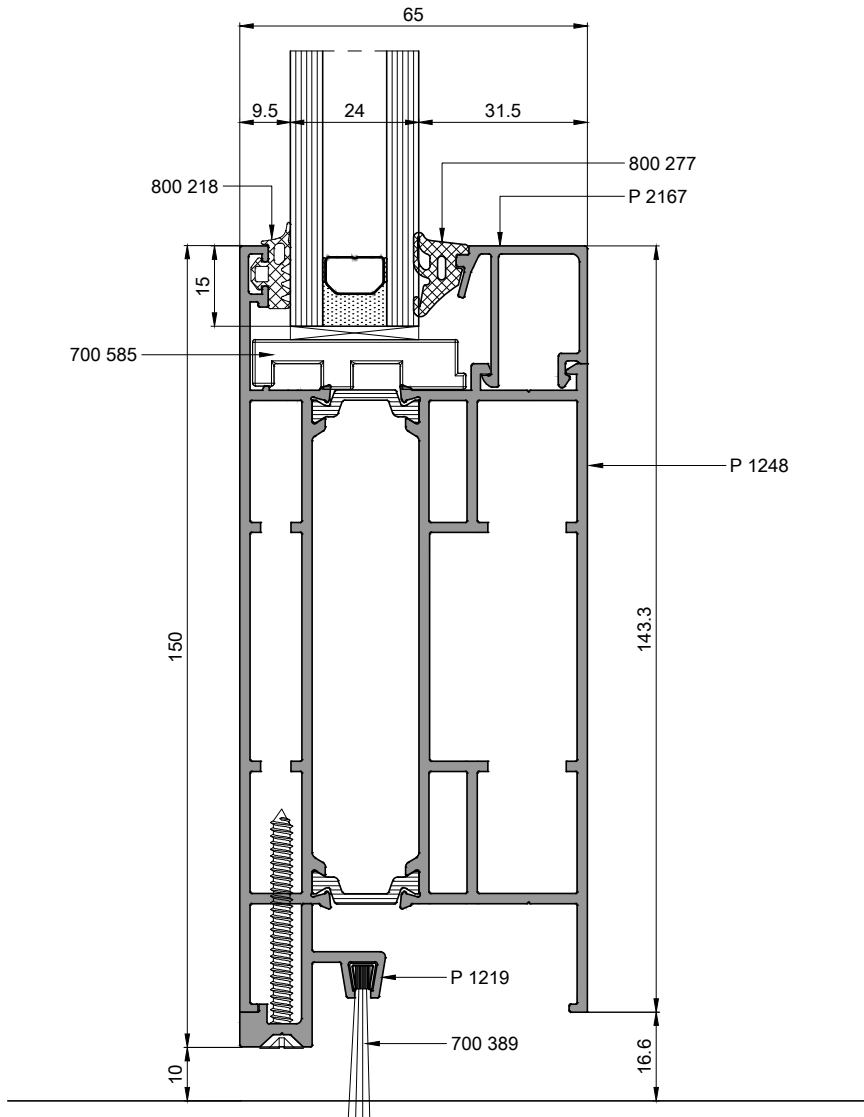
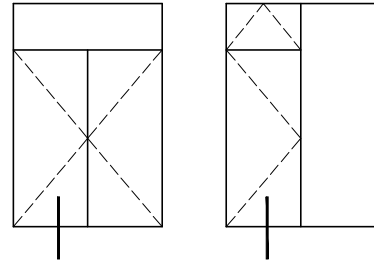




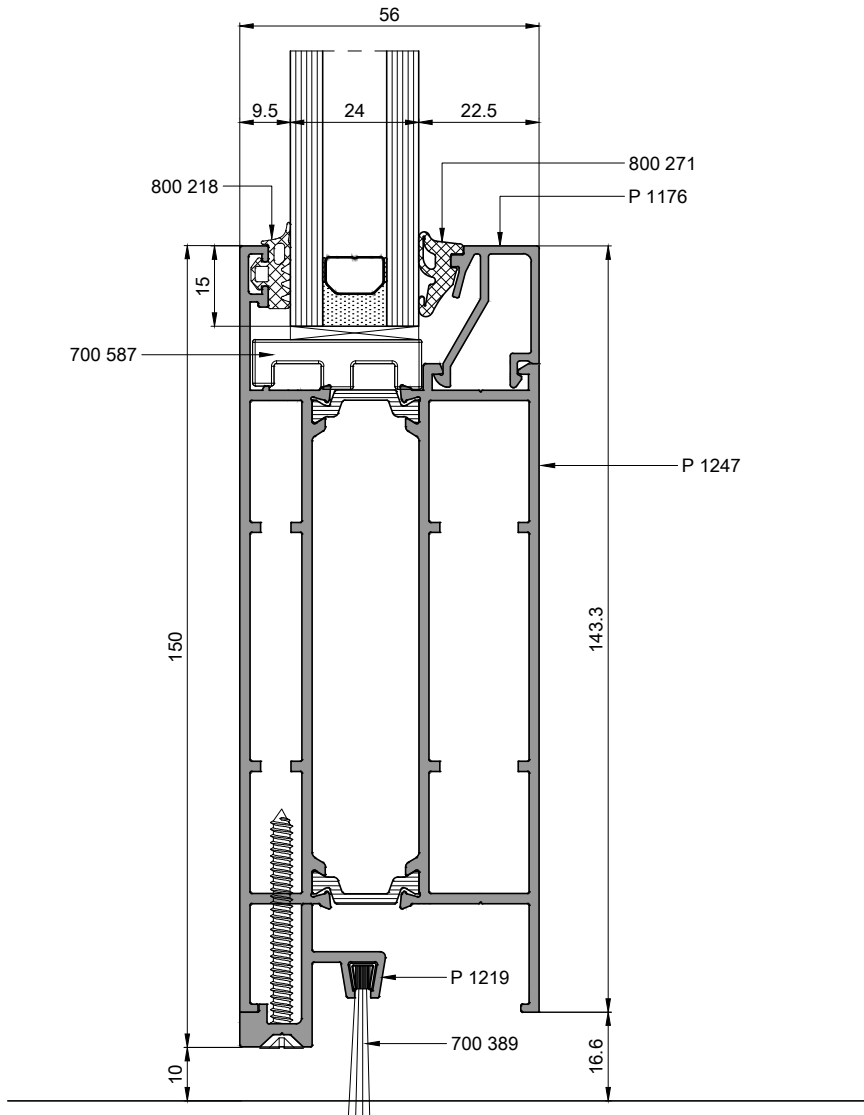
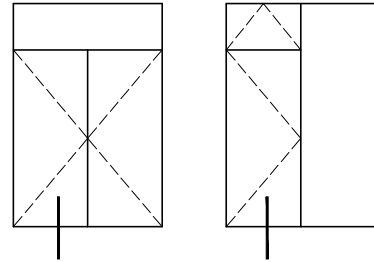


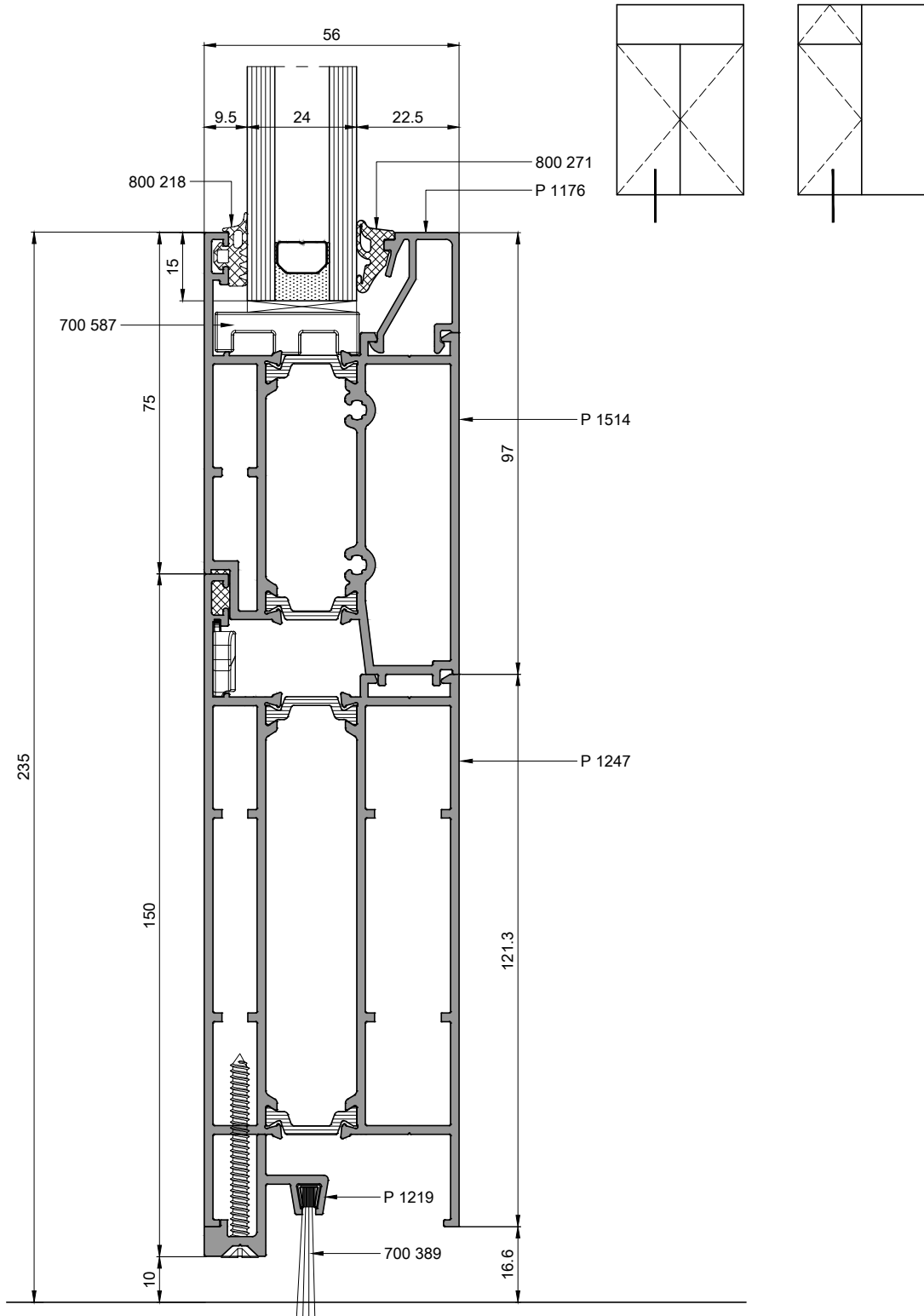


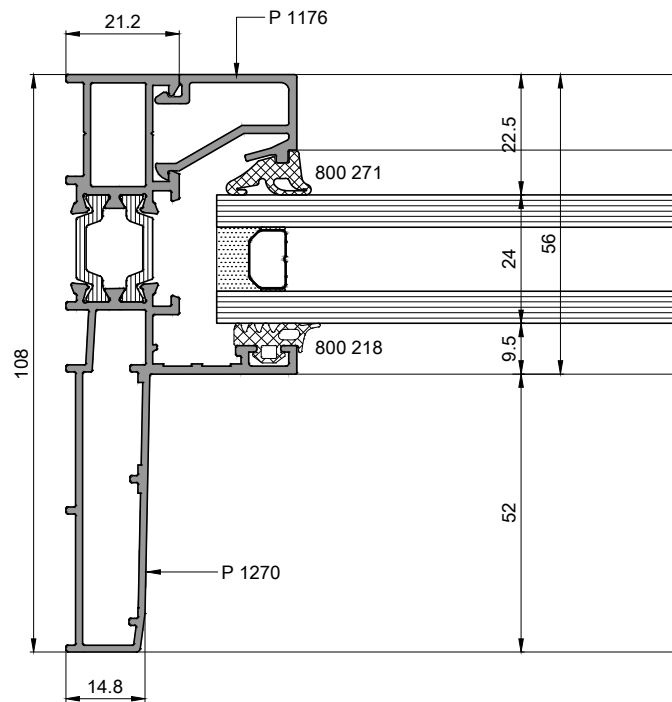
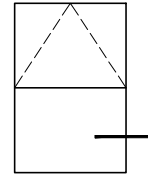


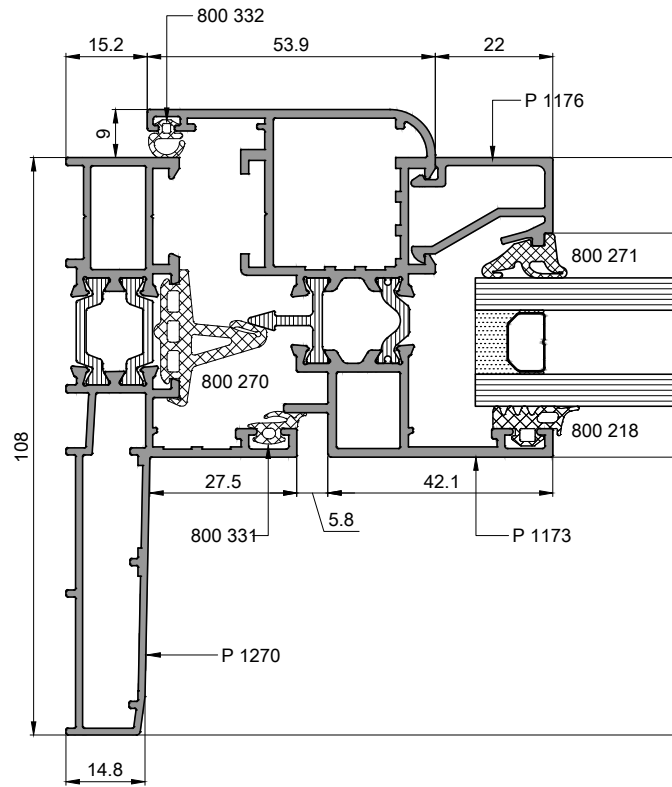
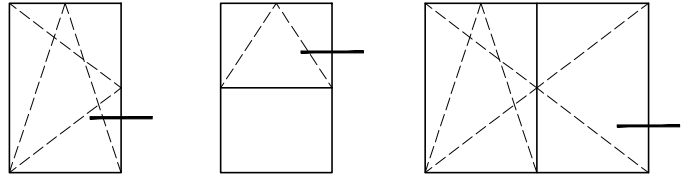






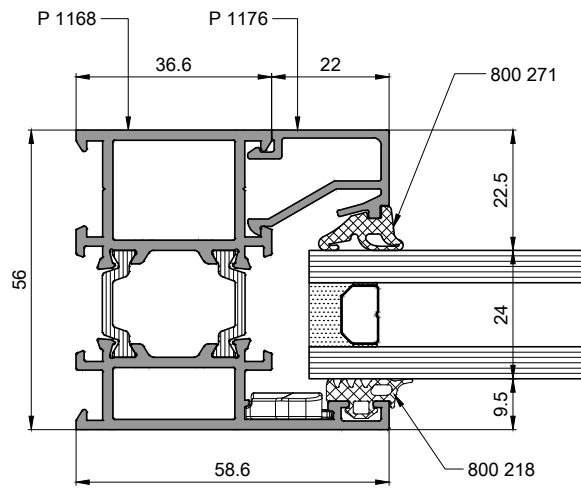
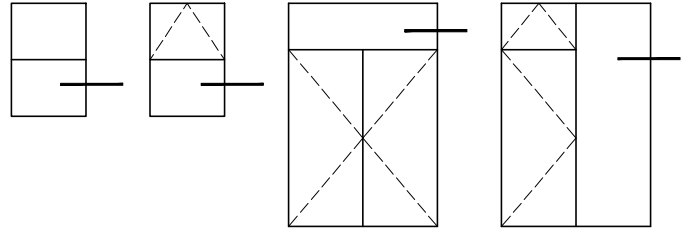


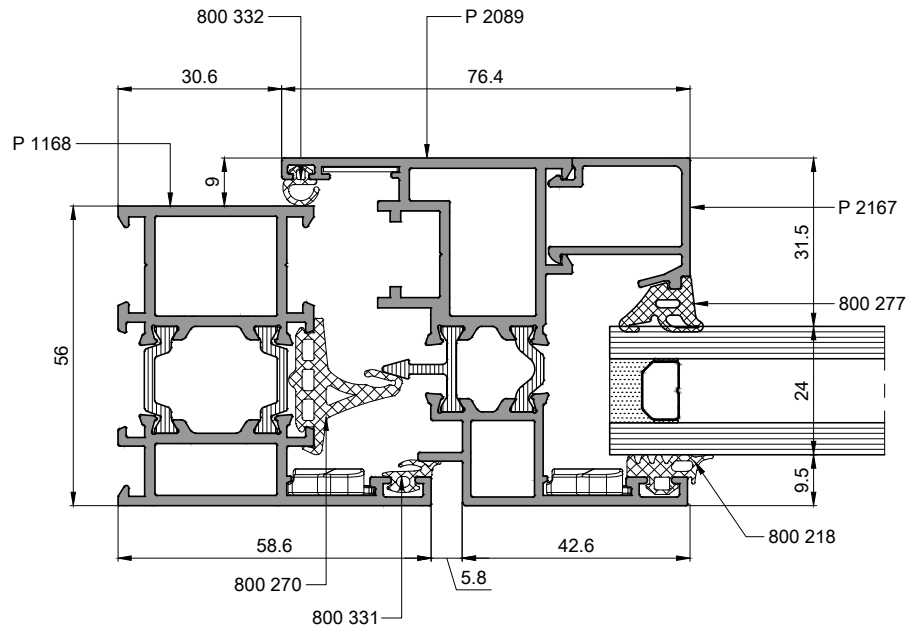
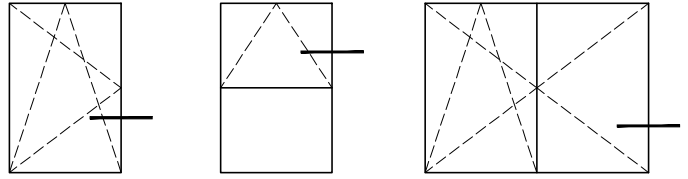


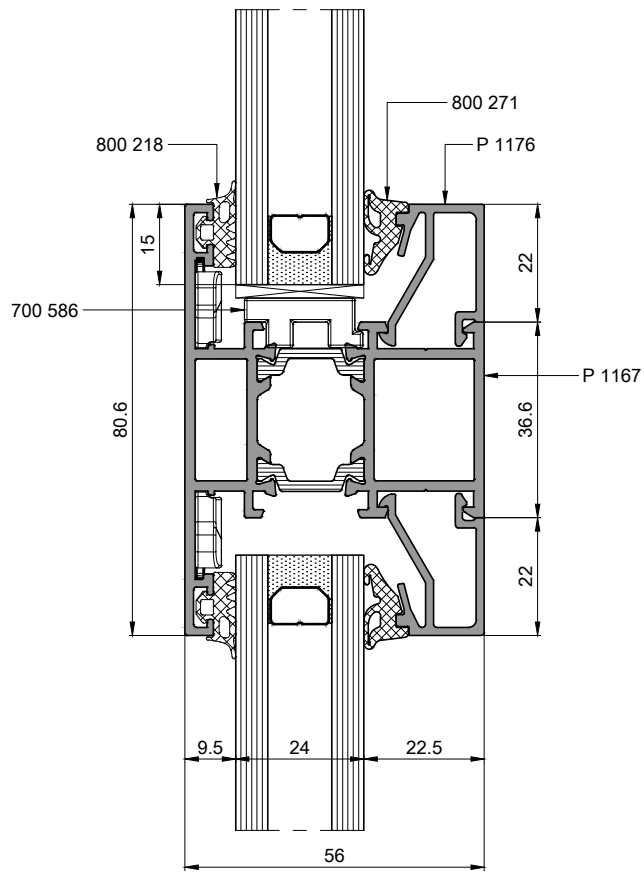
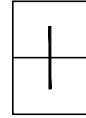
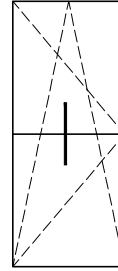


**BASIC 56**  
**KAPI ve PENCERE SİSTEMİ**  
**DOOR and WINDOW SYSTEM**

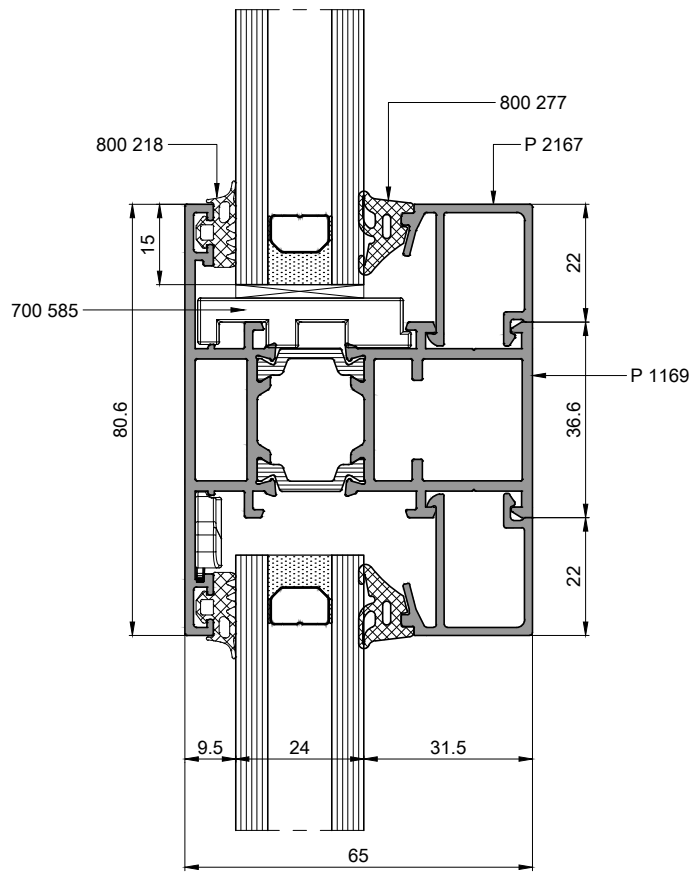
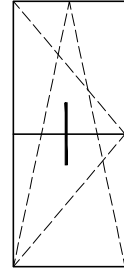
**PVC KANALLI KANAT**  
**PRENSİP SİSTEM DETAYLARI**  
**PVC CHANNEL PRINCIPAL SECTIONS**

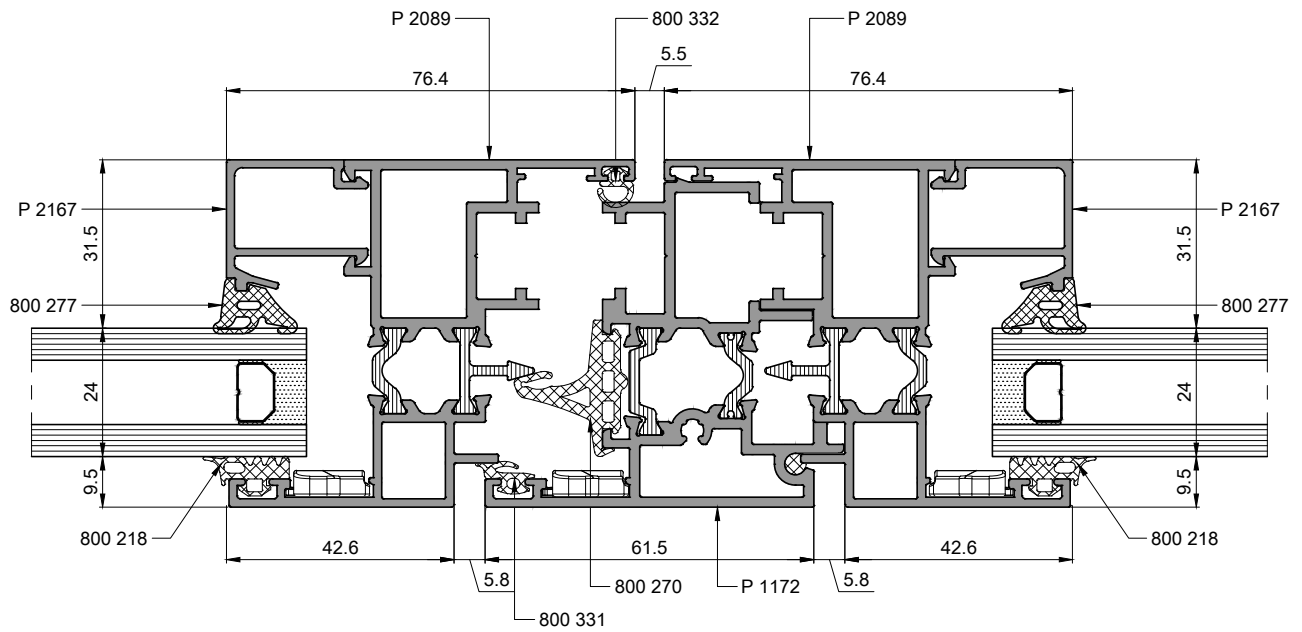
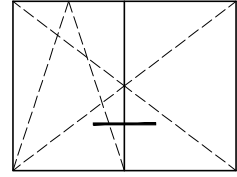


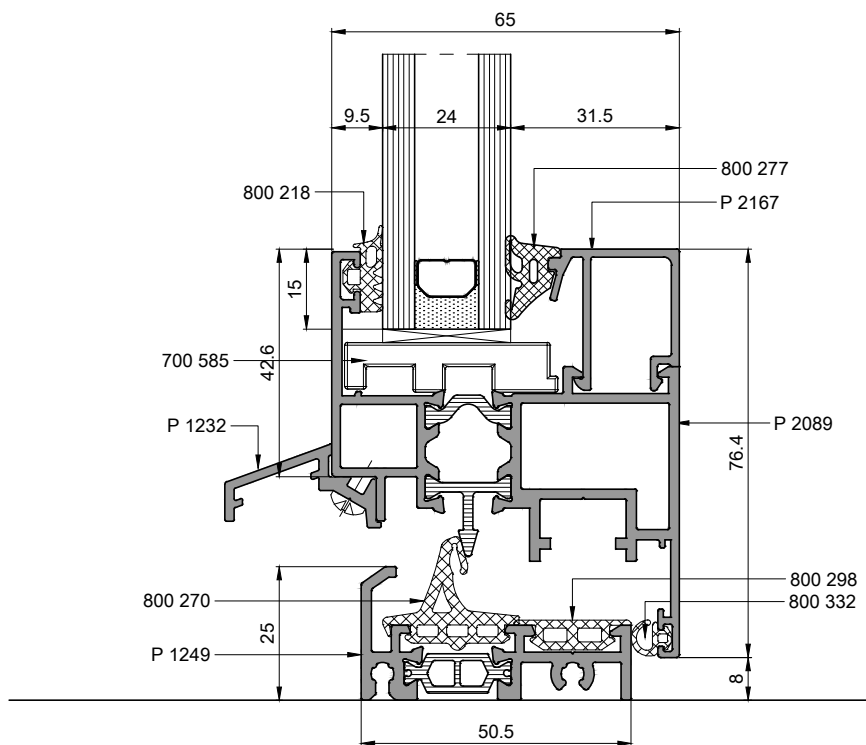
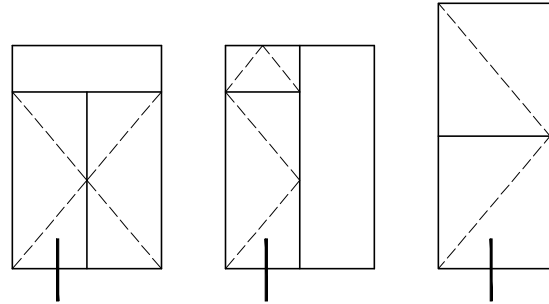


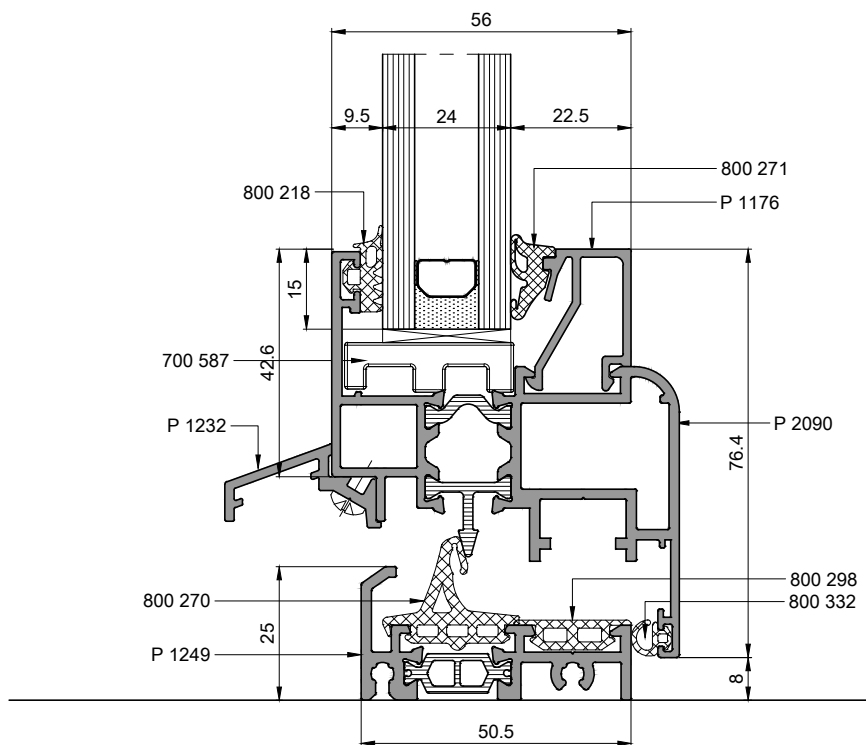
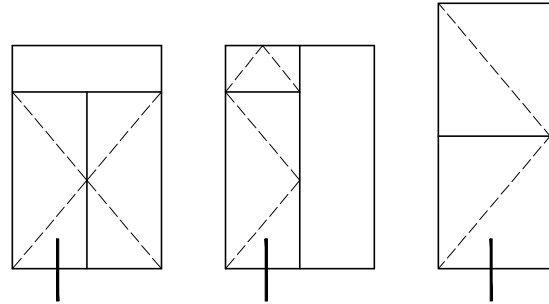


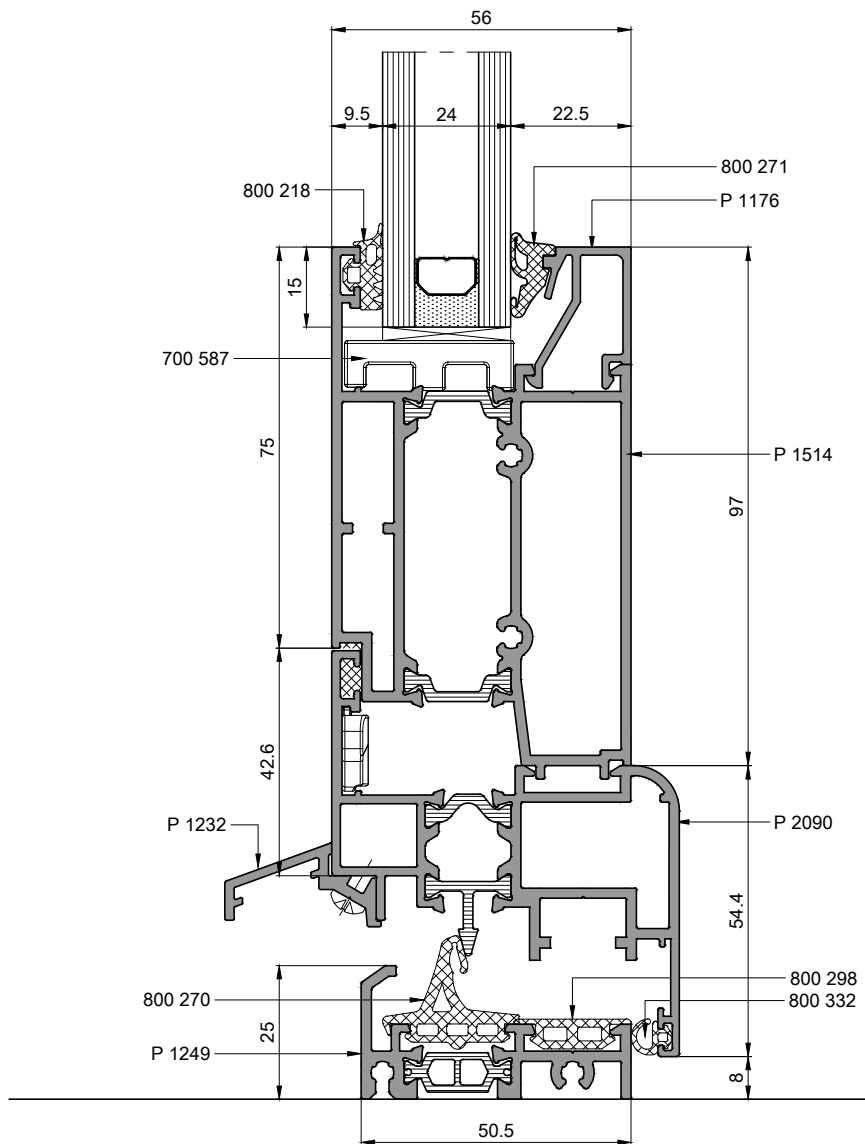
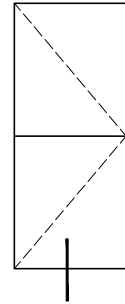
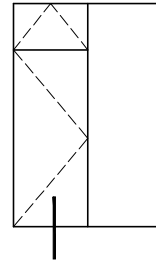
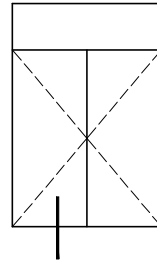


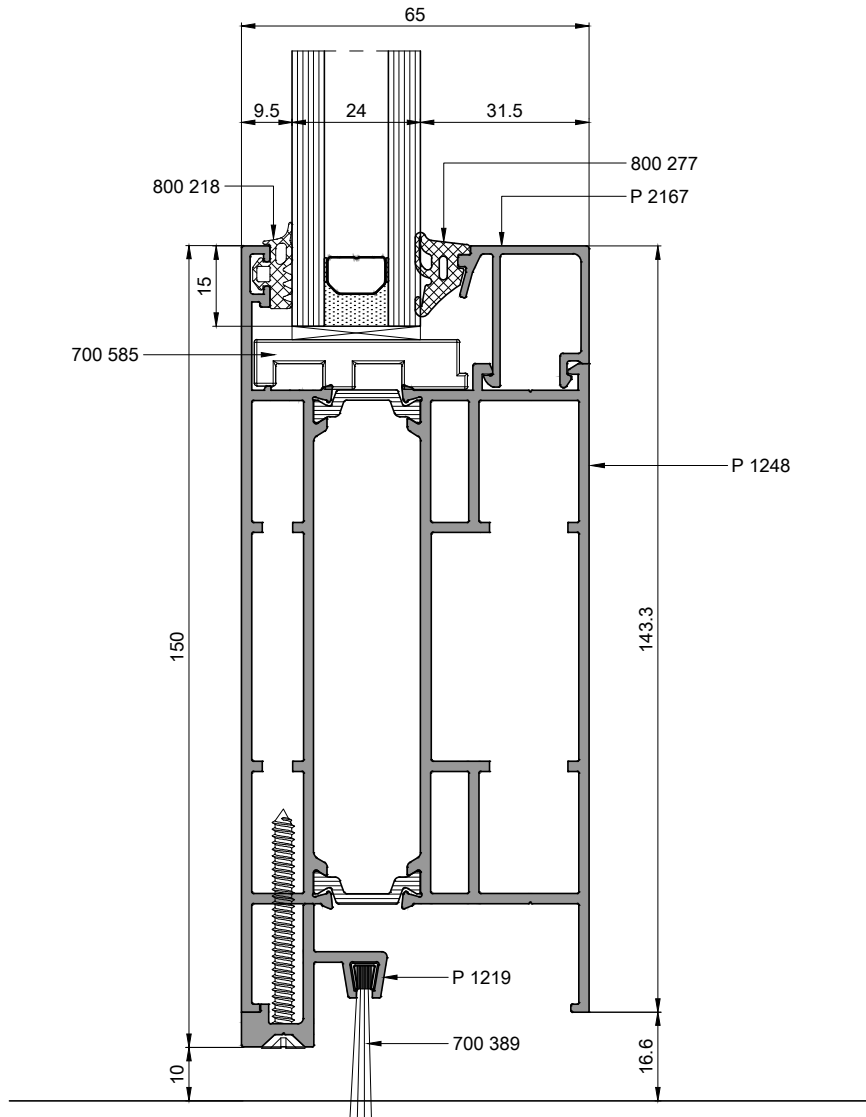
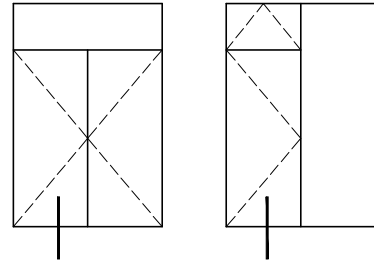


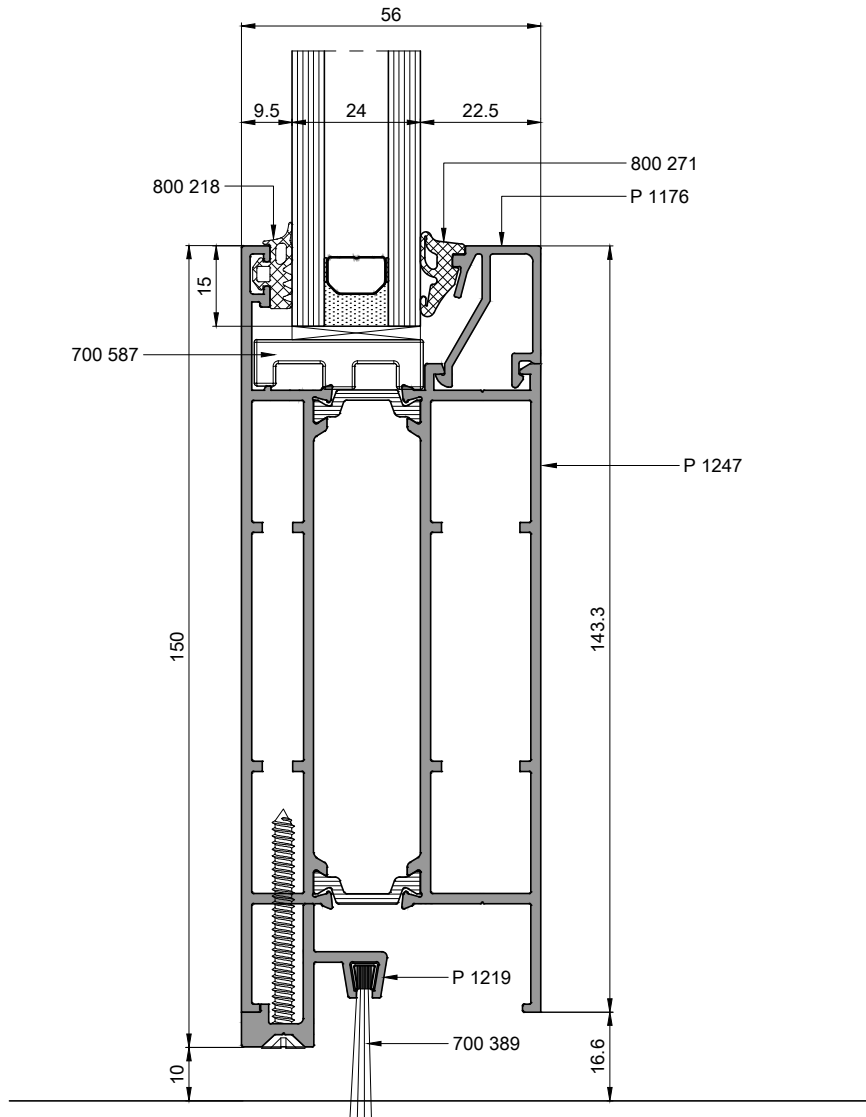
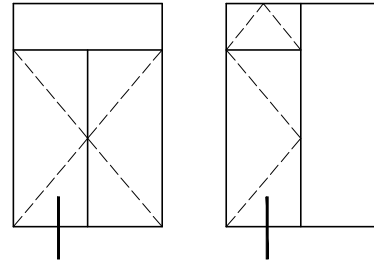


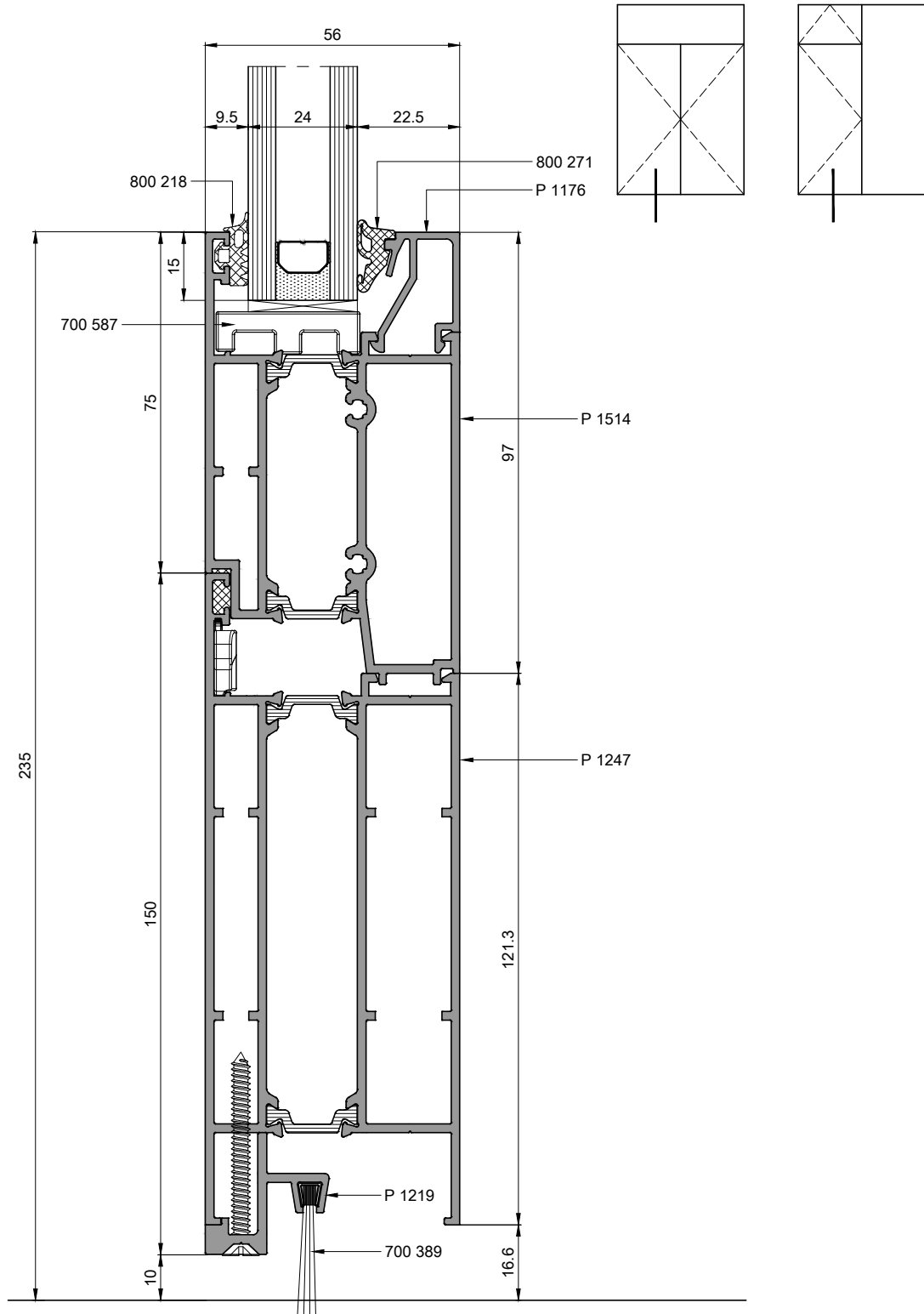








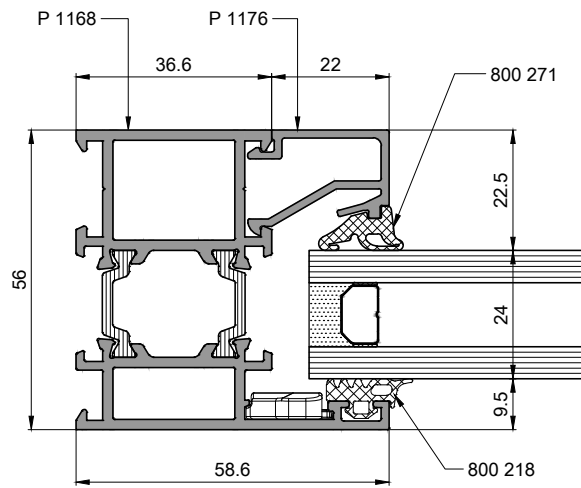
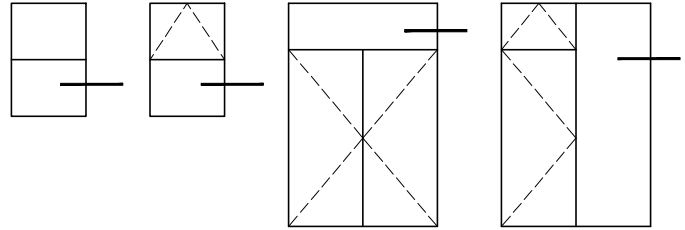


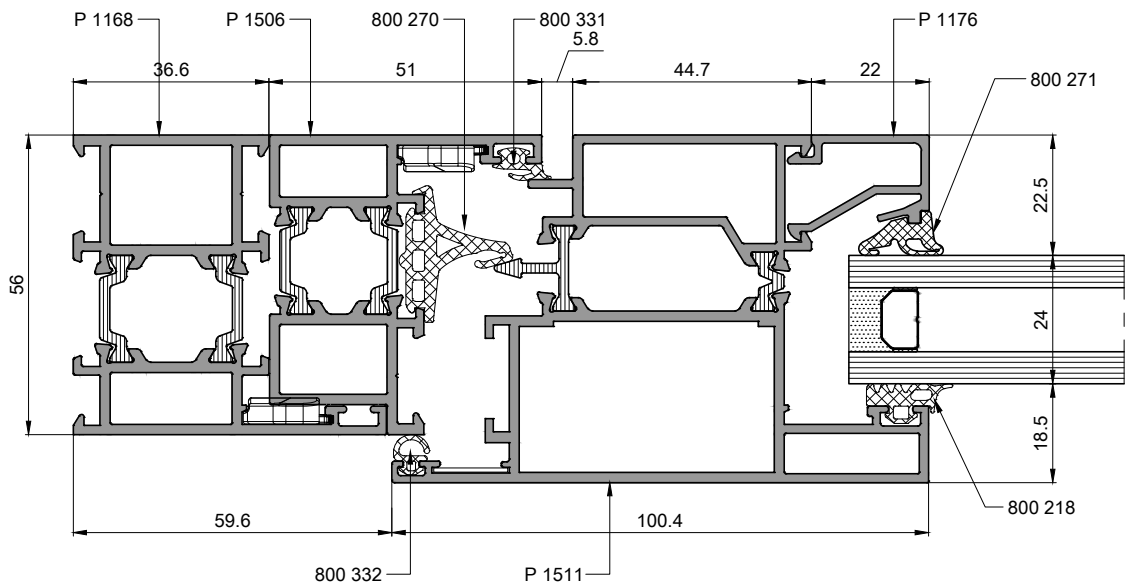
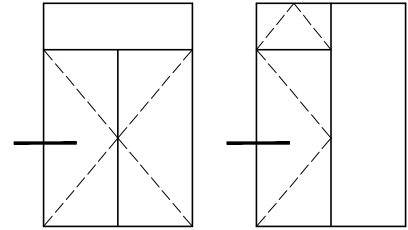


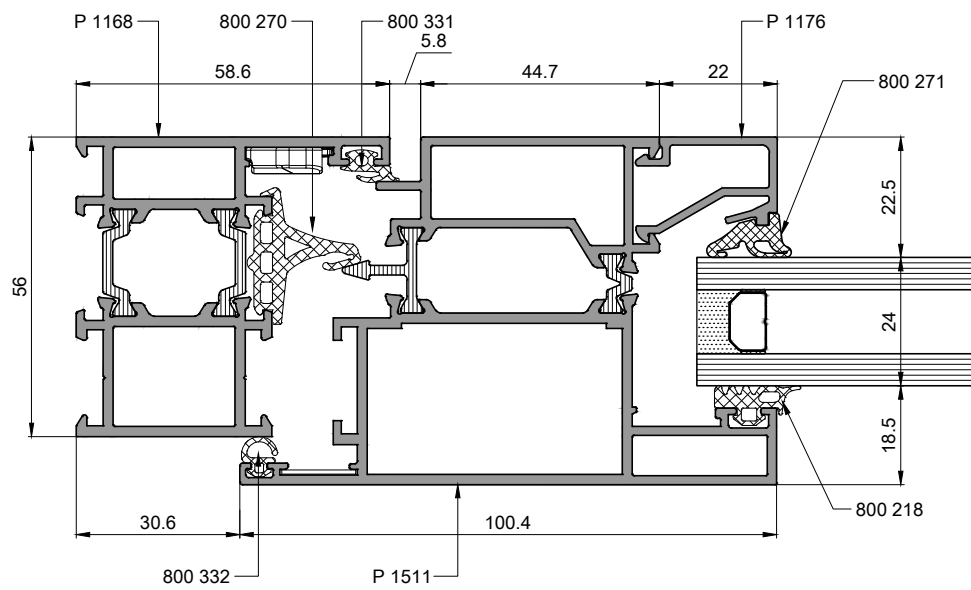
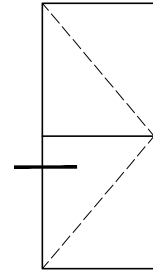


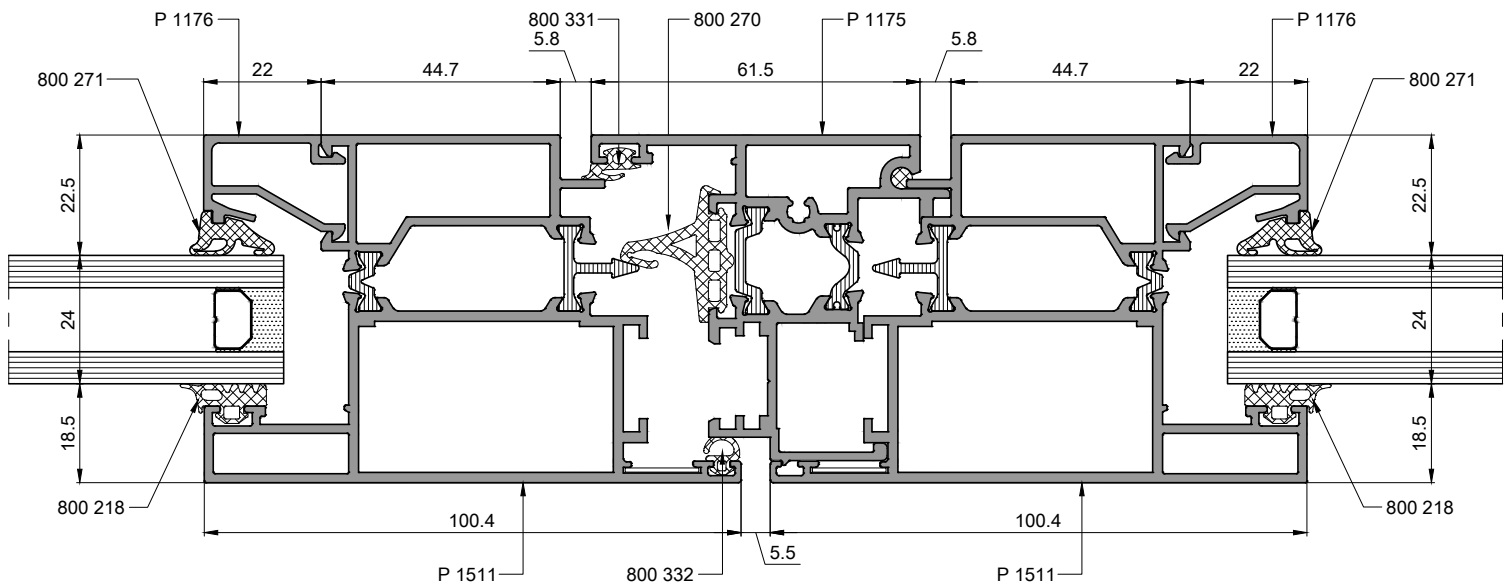
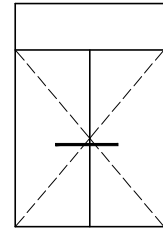
**BASIC 56**  
**KAPI ve PENCERE SİSTEMİ**  
**DOOR and WINDOW SYSTEM**

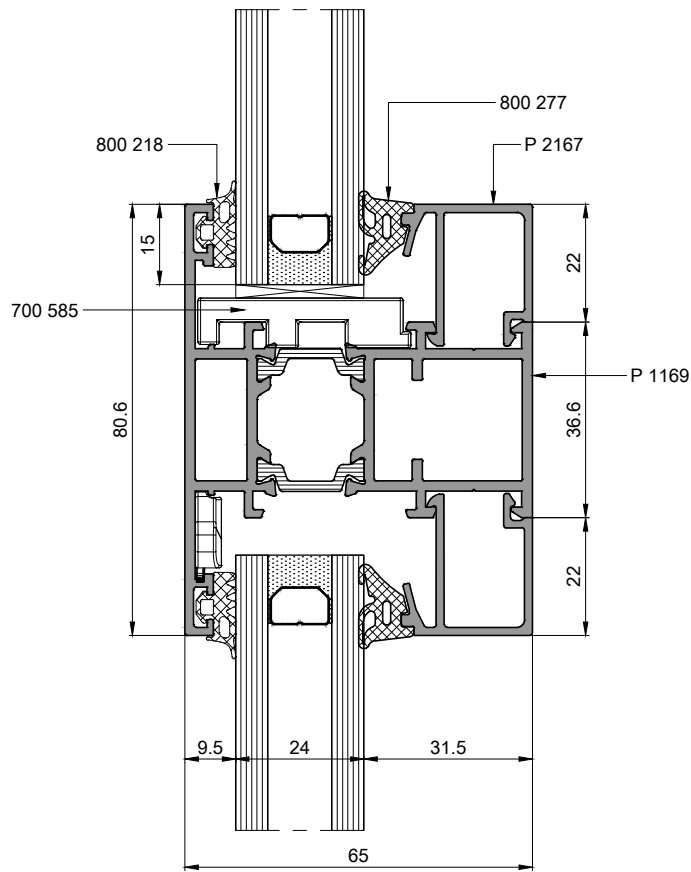
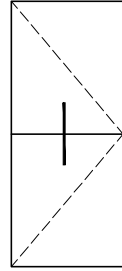
**DIŞA AÇILIR KAPI**  
**PRENSİP SİSTEM DETAYLARI**  
**OUTWARD OPENING DOOR**  
**PRINCIPAL SECTIONS**

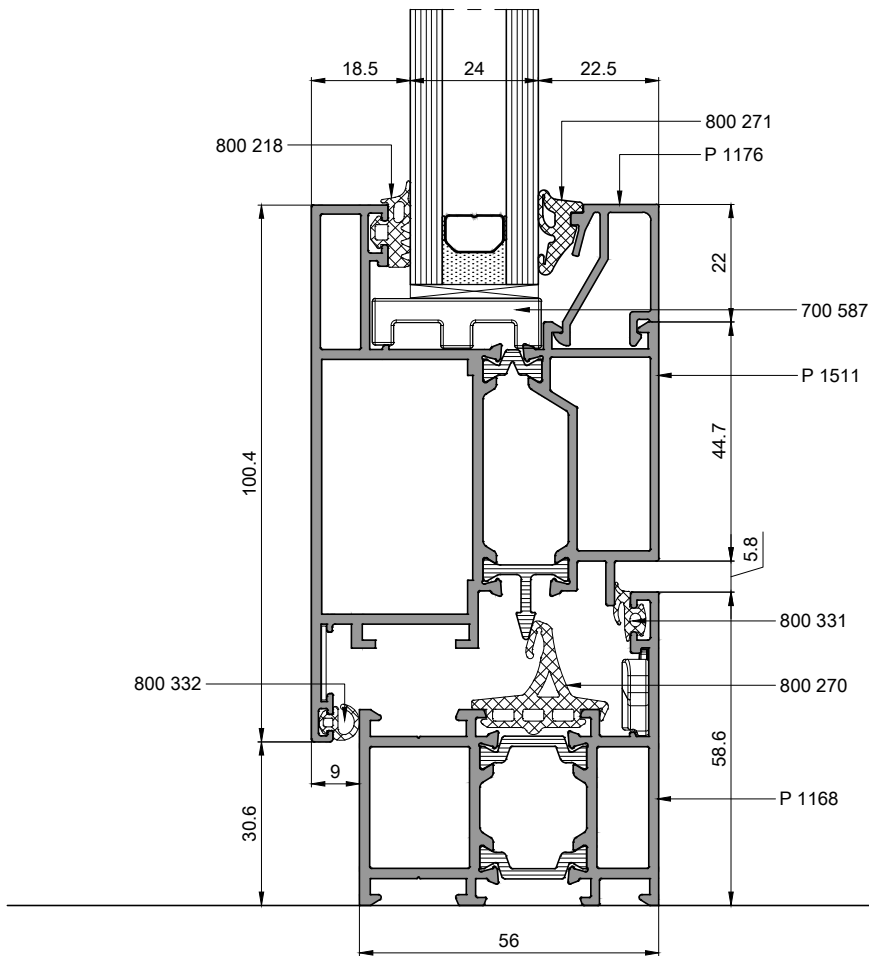
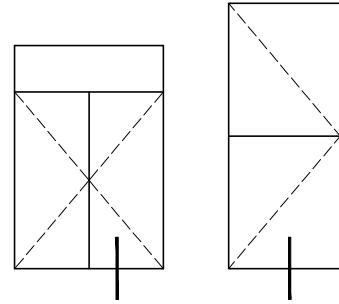


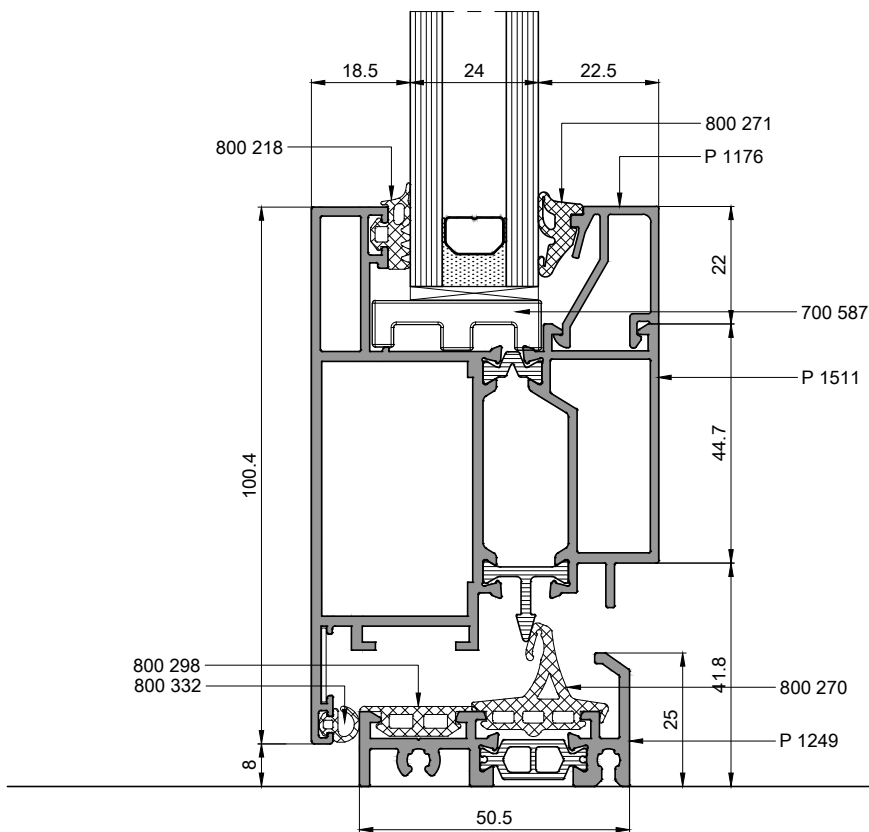
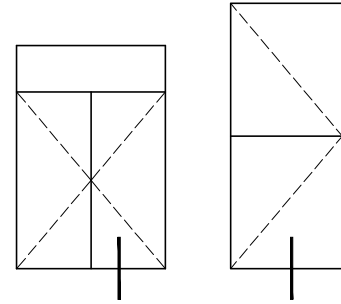




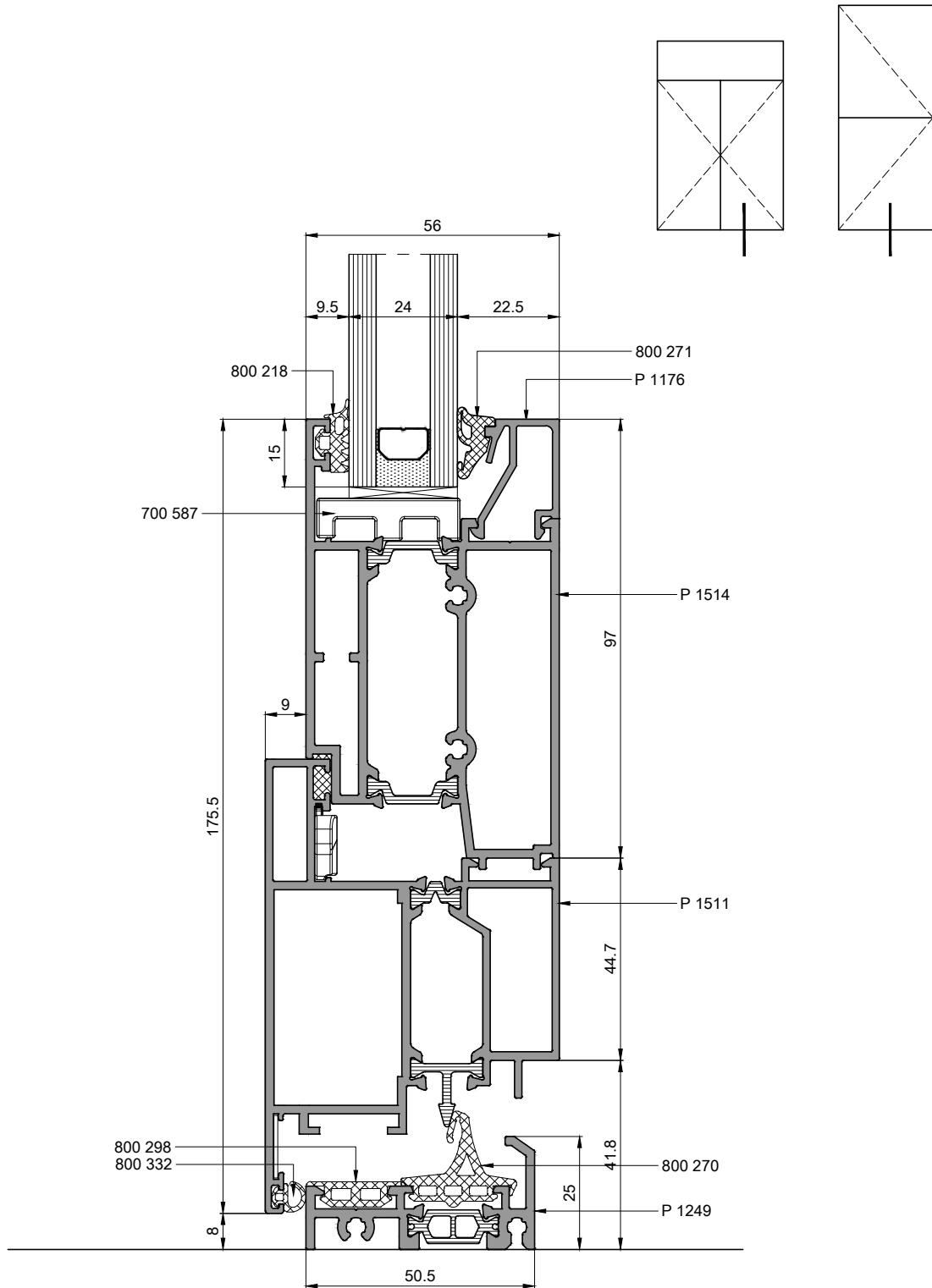


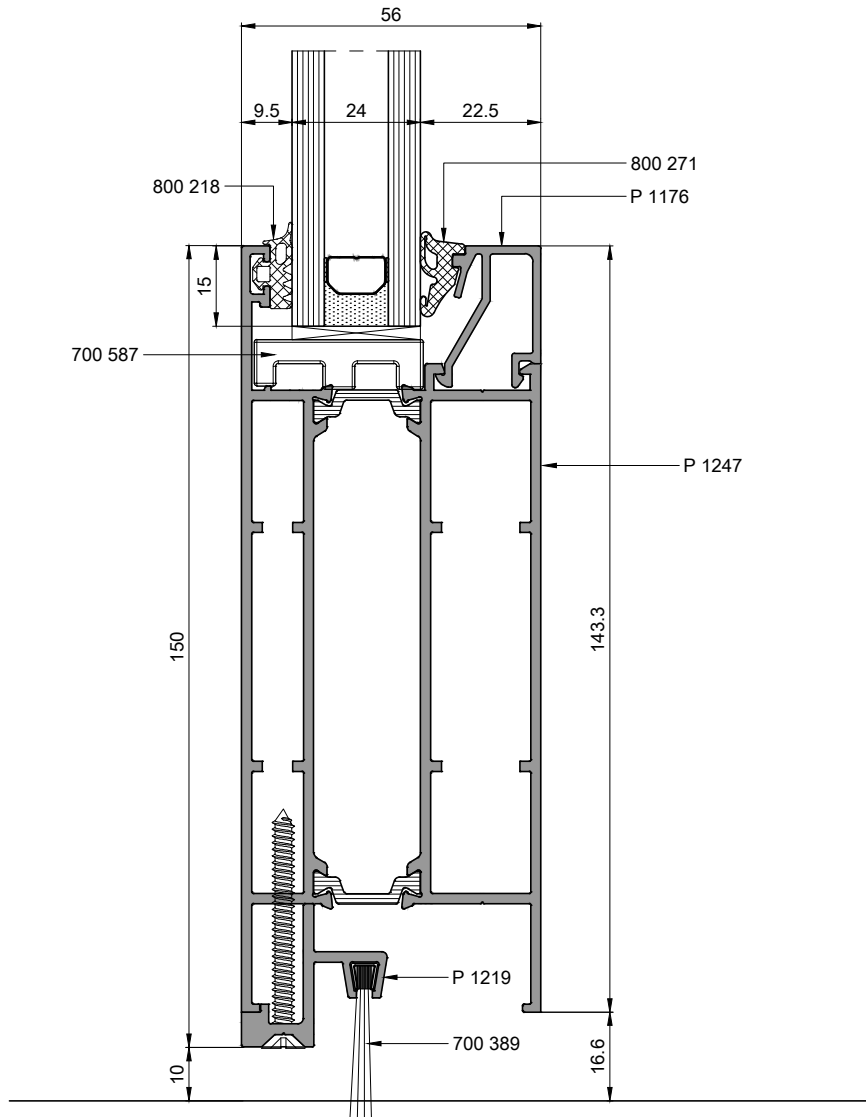
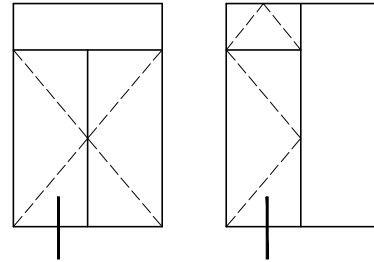


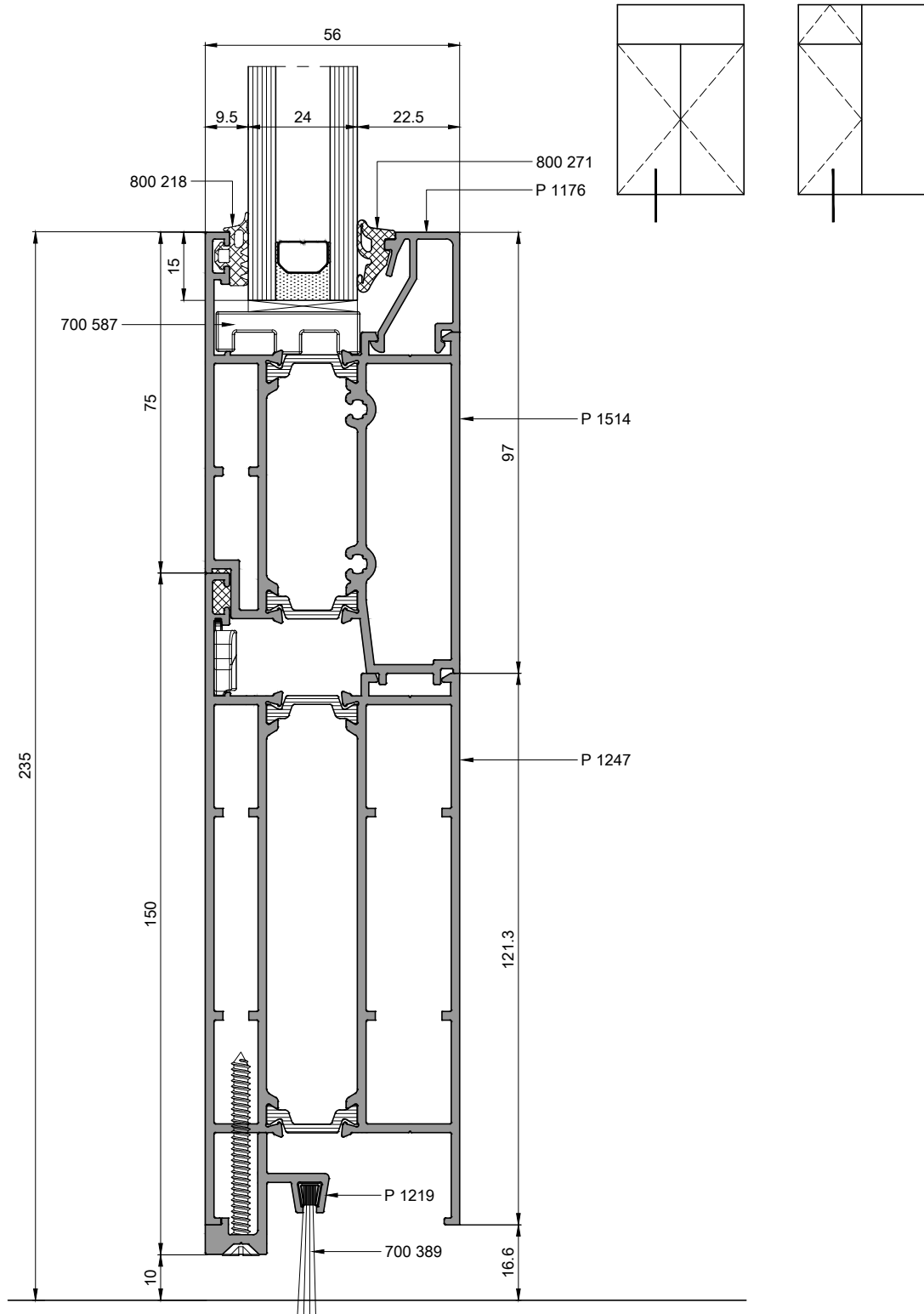












**BASIC 56**  
**KAPI ve PENCERE SİSTEMİ**  
**DOOR and WINDOW SYSTEM**

**GEÇİŞ ve BİRLEŞİM**  
**PRENSİP SİSTEM DETAYLARI**  
**SPECIAL JOINING PRINCIPAL SECTIONS**

